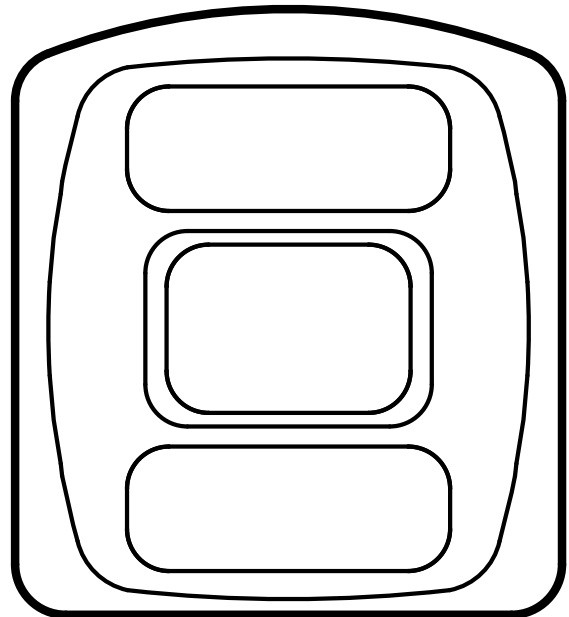


Quick reference guide
Pallet detection system

O3DPxx

UK

80290713 / 00 02 / 2020



Content

1 Preliminary note.....	3
1.1 Symbols used	3
1.2 Warnings used.....	3
1.3 Copyright and trademarks	3
1.4 Open source information	4
2 Safety instructions	5
2.1 Safety note	6
3 Functions and features	6
4 Items supplied.....	7
5 Installation.....	8
5.1 Mounting accessories	8
6 Electrical connection.....	9
6.1 Wiring O3DP0x.....	10
6.2 Wiring O3DP2x.....	10
7 Maintenance, repair and disposal.....	11
8 Approvals/standards	11

1 Preliminary note

Technical data, approvals, accessories and further information → www.ifm.com.

1.1 Symbols used

▶ Instructions

> Reaction, result

[...] Designation of keys, buttons or indications

→ Cross-reference



Important note

Non-compliance may result in malfunction or interference.



Information

Supplementary note

UK

1.2 Warnings used

ATTENTION!

Type and source of the hazard

> Damage to property may result.

▶ Actions to refrain from.

▶ Measures to take.

1.3 Copyright and trademarks

© All rights reserved by ifm electronic gmbh. No part of these instructions may be reproduced and used without the consent of ifm electronic gmbh.

All product names, pictures, companies or other brands used on our pages are the property of the respective rights owners.

1.4 Open source information

This product can contain Free Software or Open Source Software from various software developers which is subject to the following licenses: General Public License version 1, version 2 and version 3 (General Public License version 3 in conjunction with the GNU Compiler Collection Runtime Library Exception version 3.1), Lesser General Public License version 2.1, Lesser General Public License version 3, Berkeley Software Distribution („This product includes software developed by the University of California, Berkeley and its contributors“), The Academic Free License version 2.1. For the components subject to the General Public License in their respective versions the following applies:

This program is free software: you can redistribute it and/or modify it under the terms of the GNU General Public License as published by the Free Software Foundation. If version 1 applies to the software: either version 1 of the License or (at your option) any later version; if version 2 (or 2.1) applies to the software: either version 2 (or 2.1) of the License or (at your option) any later version; if version 3 applies to the software: either version 3 of the License or (at your option) any later version. The following disclaimer of the software developers applies to the software components that are subject to the General Public License or the Lesser General Public License in their respective versions: The Free Software is distributed in the hope that it will be useful, but WITHOUT ANY WARRANTY; without even the implied warranty of MERCHANTABILITY or FITNESS FOR A PARTICULAR PURPOSE. See the GNU General Public License and the GNU Lesser General Public License for more details.

The responsibility of ifm electronic gmbh for ifm products, in the case of product-specific software, remains unaffected by the above disclaimer. Please note that the firmware for the ifm products is in some cases provided free of charge. The price of the ifm products has then to be paid for the respective device itself (hardware) and not for the firmware. For the latest information on the license agreement for your product please visit www.ifm.com

For binaries that are licensed under any version of the GNU General Public License (GPL) or the GNU LGPL you may obtain the complete corresponding source code of the GPL software from us by sending a written request to: opensource@ifm.com or to ifm electronic gmbh, Friedrichstraße 1, 45128 Essen, Germany.

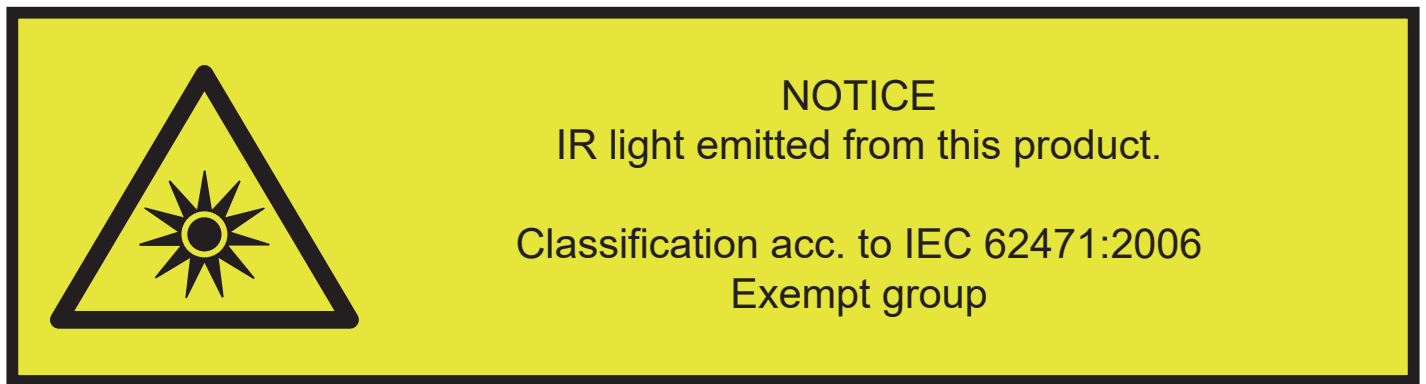
We charge €30 for each request. Please write “source for product Y” in the memo line of your payment. Your request should include (i) the name of the covered binary, (ii) the name and the version number of the ifm product, (iii) your name and (iv) your return address.

This offer is valid to anyone in receipt of this information. This offer is valid for at least three years (from the date you received the GLP/LGPL covered code).

2 Safety instructions

- The device described is a subcomponent for integration into a system.
 - The manufacturer is responsible for the safety of the system.
 - The system manufacturer undertakes to perform a risk assessment and to create documentation in accordance with legal and normative requirements to be provided to the operator and user of the system. This documentation must contain all necessary information and safety instructions for the operator, the user and, if applicable, for any service personnel authorised by the manufacturer of the system.
- Read this document before setting up the product and keep it during the entire service life.
- The product must be suitable for the corresponding applications and environmental conditions without any restrictions.
- Only use the product for its intended purpose (→ 3 Functions and features).
- If the operating instructions or the technical data are not adhered to, personal injury and/or damage to property may occur.
- The manufacturer assumes no liability or warranty for any consequences caused by tampering with the product or incorrect use by the operator.
- Installation, electrical connection, set-up, operation and maintenance of the product must be carried out by qualified personnel authorised by the machine operator.
- Protect units and cables against damage.

2.1 Safety note



3 Functions and features

The O3DPxx pallet detection system detects the orientation of pockets of all standard pallets in 6 degrees of freedom (position and rotation).

This data helps to reduce the total cycle time of pallet handling for automated guided vehicles (AGVs).

The camera safety is rated for use under the following operating conditions:

- Indoor use
- Altitudes up to 2000 m
- Relative air humidity up to max. 90%, non condensing
- Pollution degree 3

Because of the requirements for electromagnetic interference emissions, the camera is intended for use in industrial environments. The device is not suitable for use in domestic areas.



The camera may only be used under the operating conditions specified in the data sheet.

4 Items supplied

- O3DPxx pallet detection system
- Quick reference guide
- Spring washers



► Only use accessories from ifm electronic.

Available accessories: www.ifm.com

The optimum function is not ensured when using components from other manufacturers.



The camera is supplied without installation and connection accessories.



Software manual and software: www.ifm.com.

5 Installation

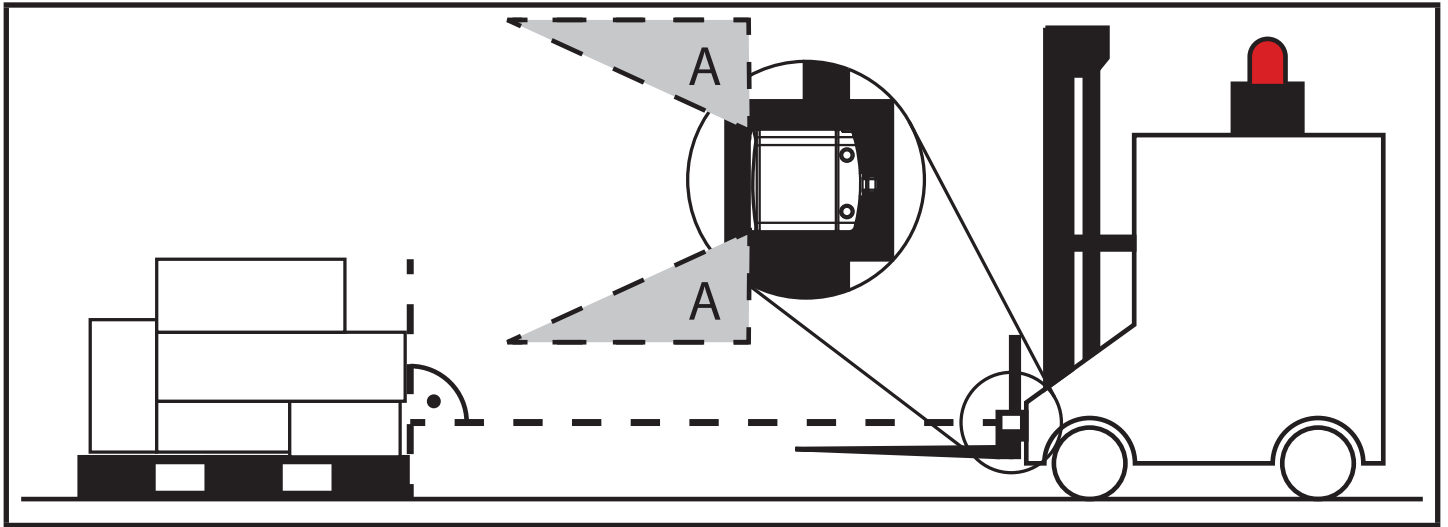


Fig. 1: Installation on fork frame

During installation note the following:

- ▶ Use cables with strain relief.
- ▶ Keep areas "A" clear of objects.
- ▶ Use spring washers to install the camera and apply maximum 3 Nm.
- ▶ Mount the camera vertically to the floor and pallet level.
- ▶ Mount the camera at a height of 23-36 cm.
- ▶ Mount the camera so that the focus adjustment screw is freely accessible with a screw driver.

5.1 Mounting accessories

Depending on the location and type of installation, you can use the following mounting accessories:

Description	Article no.
Smart Camera mounting set	E3D301
Smart Camera cooling element	E3D352
Smart Camera heat conductor	E3D353
2x Smart Camera cooling element	E3D354



Available accessories: www.ifm.com

6 Electrical connection

ATTENTION!

Depending on the operating mode, the camera may heat up. The difference between the camera's surface temperature and the ambient temperature must not exceed 25 degrees. Take one or several of the following measures:

- ▶ Adjust the operating mode.
- ▶ Make sure the camera is sufficiently cooled (e.g. with cooling element and heat conductor).
- ▶ Use a contact protection.

UK

ATTENTION!

The camera must be connected by a qualified electrician.

Camera of protection class III (PC III)

The electric supply must only be made via PELV circuits.

Electric supply must comply with UL61010-1, chap. 9.4 - Limited Energy.

The separation of external circuits must comply with UL 61010-2-201, figure 102.

- ▶ Disconnect power before connecting the camera.

ATTENTION!

The IP rating indicated in the data sheet is only guaranteed if the M12 connectors are firmly screwed.

The camera can be damaged by insufficiently tightened M12 connectors.

- ▶ Firmly screw the M12 connectors to the camera.



For the scope of validity cULus:

- Minimum temperature rating of the cable to be connected to the field wiring terminals: 70 °C.
- The IP class was not assessed by UL.



Moisture can penetrate into the camera if the connected cables and protective caps are not fully tightened.

- ▶ Firmly tighten the power supply and connection cables. Tightening torque 0.6...0.8 Nm.
- ▶ Firmly tighten the protective caps to the unused sockets (article no. E73004). Tightening torque 0.6...0.8 Nm.

6.1 Wiring O3DP0x

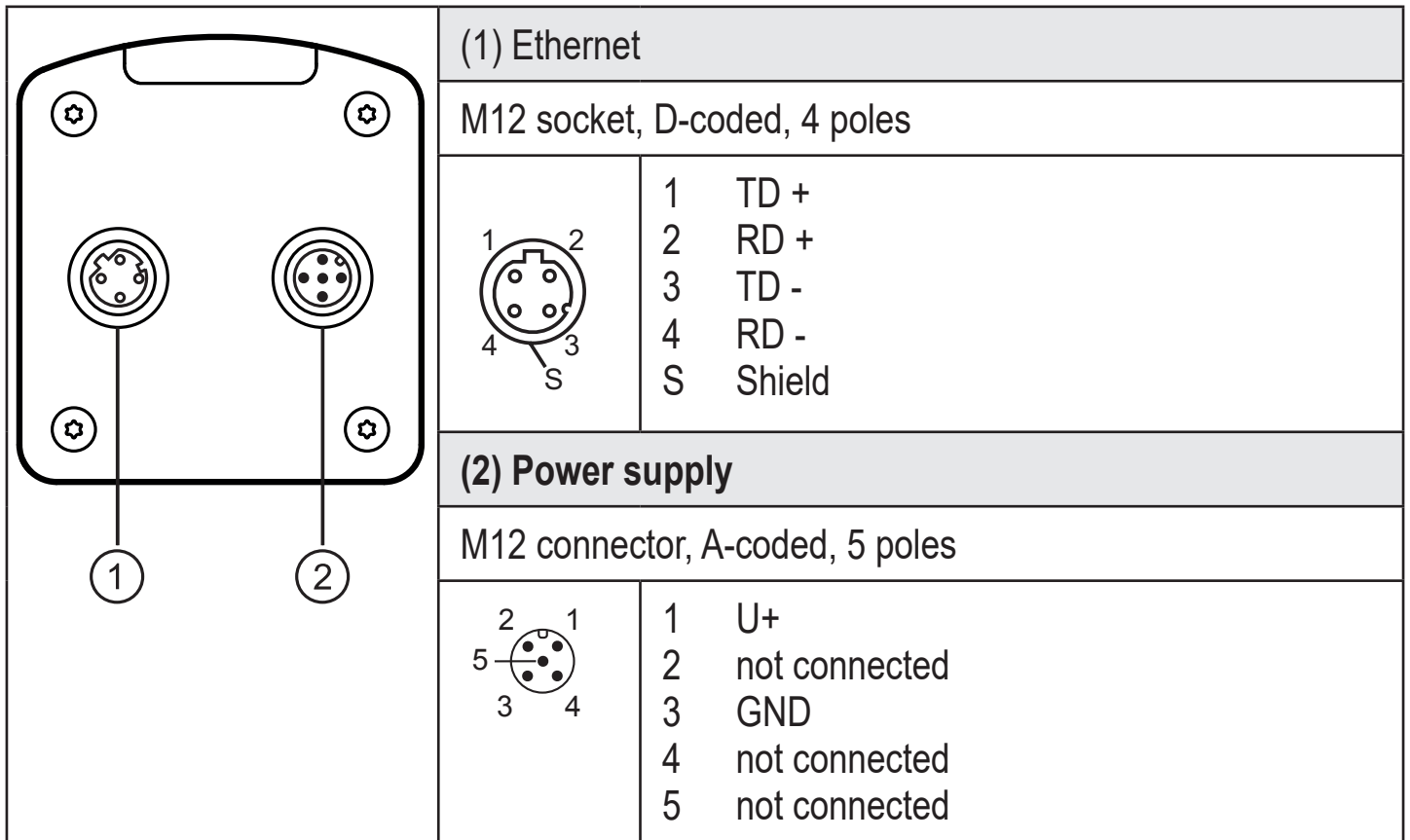


Fig. 3: Wiring of O3DP0x

6.2 Wiring O3DP2x

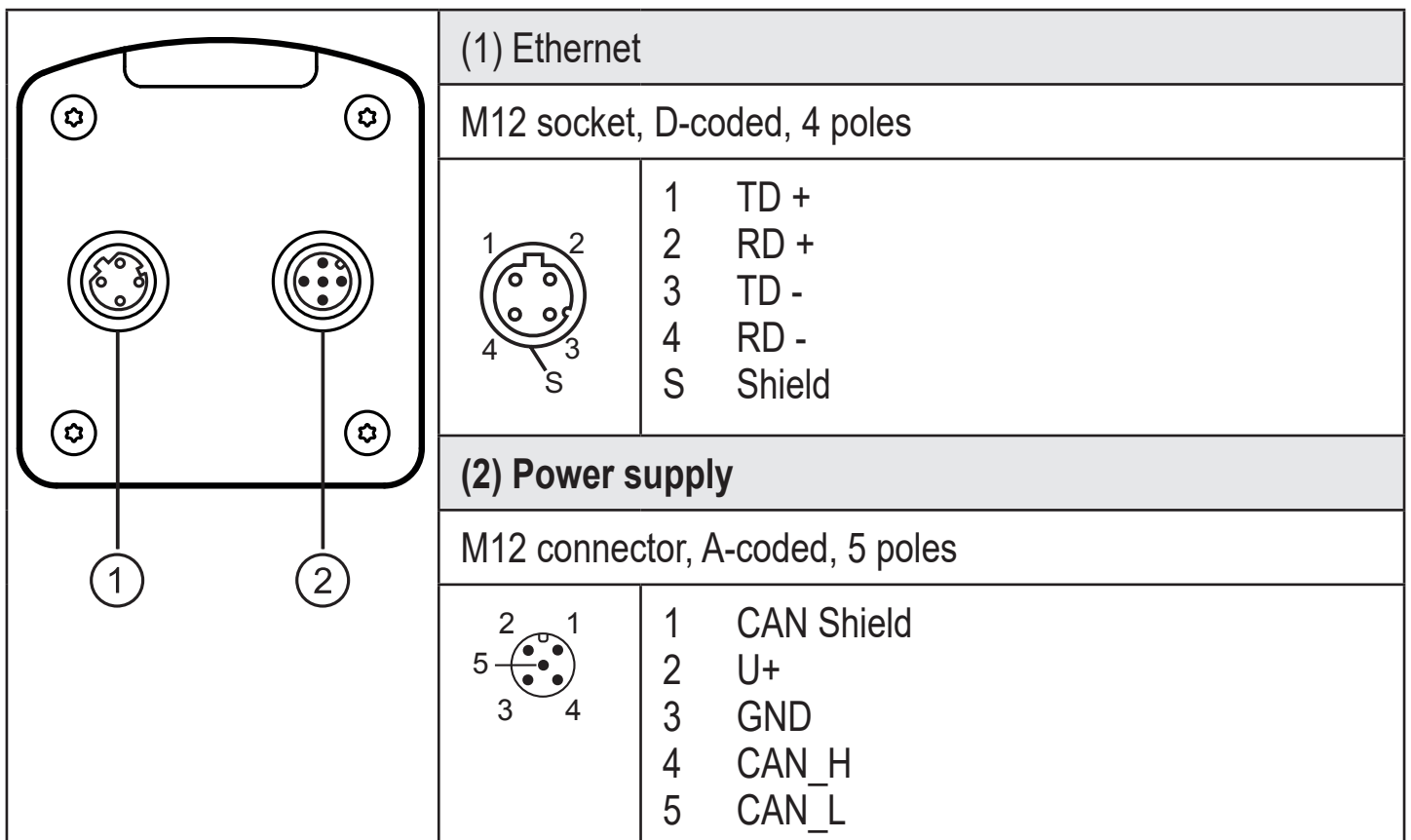


Fig. 4: Wiring of O3DP2x



Available accessories: www.ifm.com

7 Maintenance, repair and disposal

If used correctly, no maintenance and repair measures are necessary.

- ▶ The device must only be repaired by the manufacturer.
- ▶ After use dispose of the device in an environmentally friendly way in accordance with the applicable national regulations.
- ▶ Keep the front lens free from soiling.
- ▶ Use glass cleaner as cleaning agent.
- > Cleaning agents containing solvents can damage the front glass.
- ▶ Do not open the camera.
- > Only the manufacturer is allowed to open the camera.

UK

8 Approvals/standards

The EU Declaration of Conformity is available at www.ifm.com.