



Operating instructions

EC2061

EC9203

GB

11471078 / 00 09 / 2022

Contents

- 1 Safety instructions 3
- 2 Preliminary note 4
- 3 Intended use 5
- 4 Installation 6
 - 4.1 Mounting surface 6
 - 4.2 Fastening 6
- 5 Electrical connection 7
- 6 Operation 8
 - 6.1 Switching characteristics 8
- 7 Maintenance, repair and disposal 9

1 Safety instructions

- The unit described is a subcomponent for integration into a system.
 - The system architect is responsible for the safety of the system.
 - The system architect undertakes to perform a risk assessment and to create documentation in accordance with legal and normative requirements to be provided to the operator and user of the system. This documentation must contain all necessary information and safety instructions for the operator, the user and, if applicable, for any service personnel authorised by the architect of the system.
- Read this document before setting up the product and keep it during the entire service life.
- The product must be suitable for the corresponding applications and environmental conditions without any restrictions.
- Only use the product for its intended purpose (→ Intended use).
- If the operating instructions or the technical data are not adhered to, personal injury and/or damage to property may occur.
- The manufacturer assumes no liability or warranty for any consequences caused by tampering with the product or incorrect use by the operator.
- Installation, electrical connection, set-up, operation and maintenance of the product must be carried out by qualified personnel authorised by the machine operator.
- Protect units and cables against damage.

2 Preliminary note

You will find instructions, technical data, approvals, accessories and further information using the QR code on the unit / packaging or at www.ifm.com.

3 Intended use

The inclination sensors are designed for vertical mounting and measure inclination angles around the Z-axis.

They enable precise spatial monitoring of an object and measure its position in relation to the gravity of the earth without contact.

4 Installation

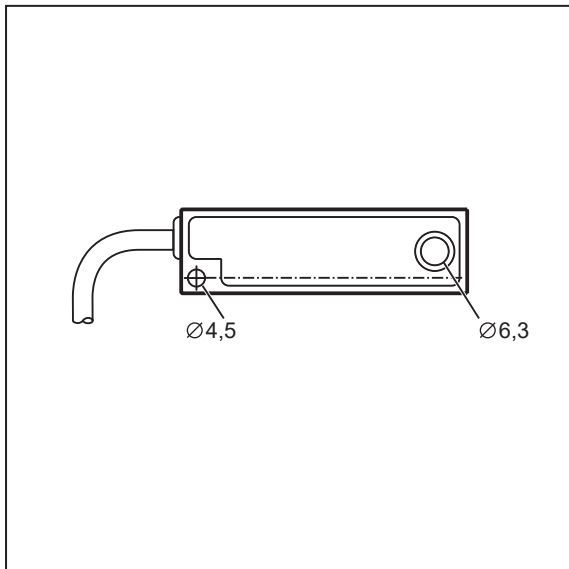
4.1 Mounting surface

▶ Mount the device on a flat mounting surface.



▶ The housing must not be exposed to any torsional forces or mechanical stress.

4.2 Fastening



- ▶ Secure the device with an M6 screw through the metal socket provided for this purpose.
- ▶ If necessary, use the smaller hole for additional fastening (e.g. with a metal bolt).
- ▶ Install the device so that the potting side faces outwards.

5 Electrical connection



The unit must be connected by a qualified electrician.

- ▶ Observe the national and international regulations for the installation of electrical equipment.
- ▶ Disconnect power.
- ▶ Connect the unit as follows:

EC2061

Designation	Core colour	Potential
Operating voltage	black (BK)	
Mass	brown (BN)	
Digital output (normally open)	blue (BU)	

EC9203

Designation	Pin	Potential
Operating voltage	1: L+	
Mass	3: L-	
Digital output (normally open)	4	

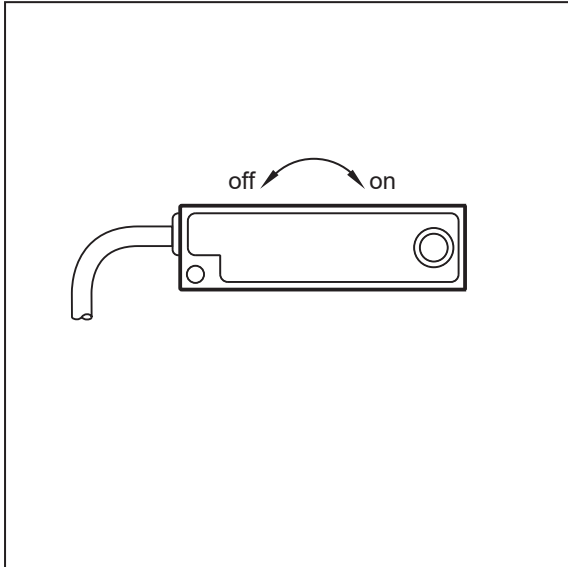
- ▶ To protect the whole system the supply voltage must be protected with max. 0.5 A.
- Additional shielding measures may be required to ensure accurate device position information.
- The max. signal cable length is 30 m.

6 Operation

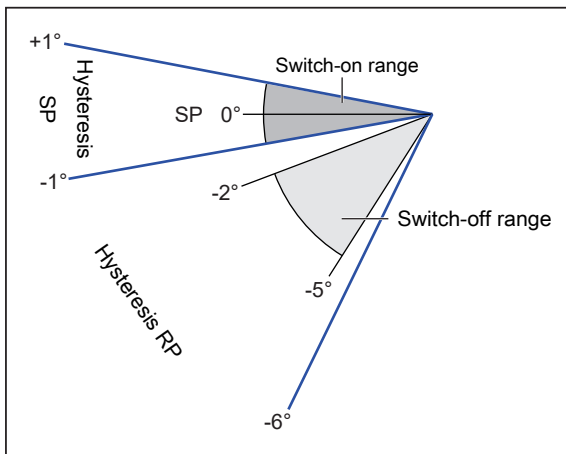
After power-on the device is in the normal operating mode.

Note on switch point SP

- Switch-on point in horizontal installation position ($\pm 1^\circ$) when moving the cable entry from bottom to top.
- Reset point exceeding the switching hysteresis by moving the cable entry from top to bottom.



6.1 Switching characteristics



SP Switch point
 RP Reset point

7 Maintenance, repair and disposal

The unit is maintenance-free.

- ▶ Contact ifm in case of malfunction.
- ▶ Do not open the housing as the unit does not contain any components which can be maintained by the user. The unit must only be repaired by the manufacturer.
- ▶ Clean the device using a dry cloth.
- ▶ Dispose of the unit in accordance with the national environmental regulations.