

Plastic Fiber-Optic Cable

Through-Beam Mode

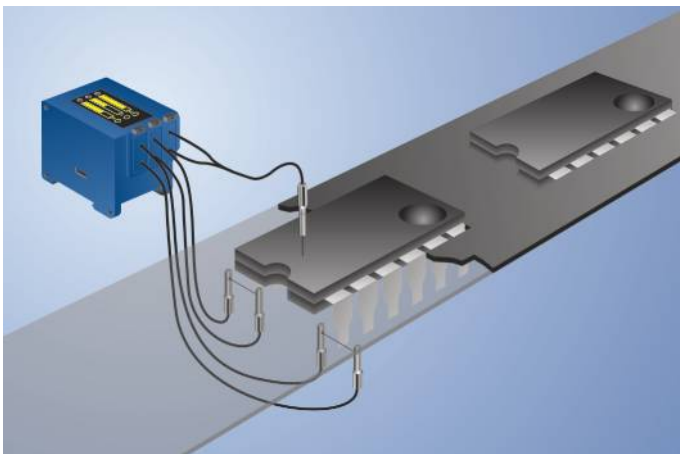
K20

Part Number



- Especially suitable in applications where only minimal space is available
- Fiber-optic cable can be cut to length by the cutting tool

The plastic fiber-optic cables are very flexible and can be especially used in applications where minimal space is available. Plastic fiber-optic cables are provided in standard length of 2 meters. Special lengths up to 50 meters are available as well. Plastic fiber-optic cables can be cut to length by the user with the help of the cutting tool Z0015.



Technical Data

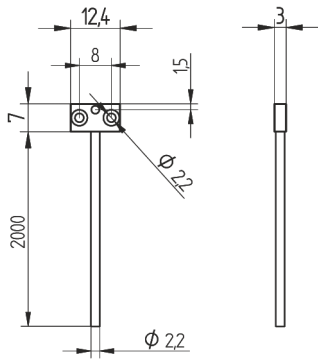
Optical Data

Fiber Core Diameter	1 mm
Fiber Core	PMMA
Fiber	Step Index
Fiber Distribution	parallel arrangement
Range with Sensor Type	200 mm
Opening Angle	55 °

Mechanical Data

Temperature Range	-40...85 °C
Bending Radius	20 mm
Fiber-Optic Length	2 m
Jacket Material	PE (black)
Material End Sleeve	Aluminum
Jacket Diameter	2,2 mm
Light Emission	sidewise

K20



All dimensions in mm (1 mm = 0.03937 Inch)

