

CBAS100-R4NCO-A2P

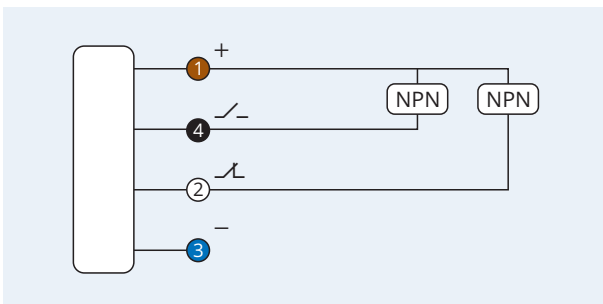
Mind O≠0, I≠I≠1, S≠5, B≠8.

Operating range	0.4...4 m · 1½...13½ ft
Operating voltage	10...35 V _{DC}
Current consumption	30 mA
Current load capability	200 mA
Operating temperature	-20...+55 °C · -3...+132 °F
Cycle time	7.5 ms
Ambient light immunity	100 klx
Polarity	NPN
Output function	⌋ and ⌋
IP code	IP 65
Housing material	aluminum, powder-coated
Pane material	PMMA
Operation indicator	LED green
Connection	PVC cable, 2 m
Weight	154 g · 5.4 oz
Tariff code	85365019
Complies with	CE, RoHS



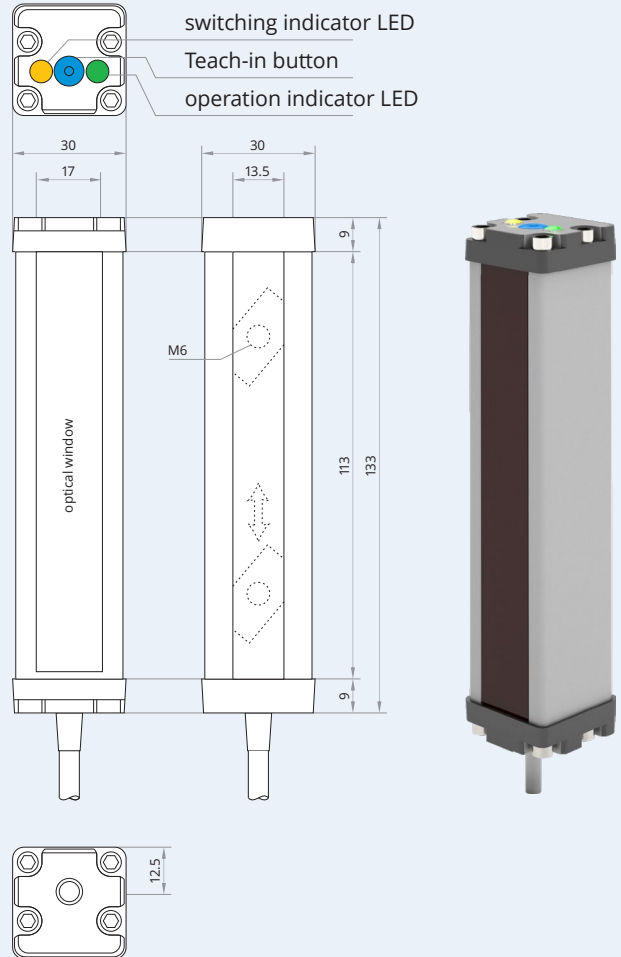
25 months Warranty Our products are manufactured to stringent ISO 9001 European standards to ensure that our customers only receive the best quality.

Wiring diagram



Crossed-Beam Area Sensor Receiver

Active zone: 100 mm · Range: 4 m



Caution! This device shall not be used if the safety of persons rely on its faultless function.

XECRO reserves the right to make minor changes without prior notification.