

Female cordset, field attachable

V15-W-PG9

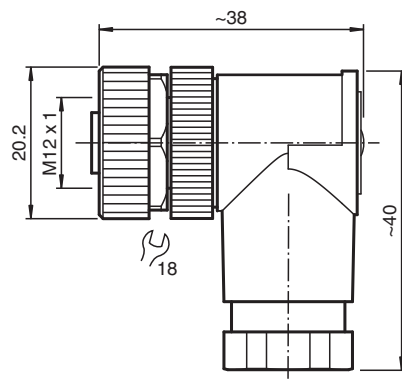


- Screw terminal connection
- Metal locking
- Knurled nut suitable for tool assembly
- cURus approval

Female connector, M12, 5-pin, field attachable



Dimensions



Technical Data

General specifications

| | |
|-------------------|------------------|
| Connector 1 | |
| Connection | socket |
| Construction type | M12 |
| Style | angled |
| Locking | screw connection |
| Number of pins | 5 |
| UL File Number | E363587 |

Electrical specifications

| | | |
|-------------------|-------|------------------------|
| Operating voltage | U_B | max. 48 V AC / 60 V DC |
| Operating current | I_B | max. 4 A |
| Volume resistance | | < 8 m Ω |

Conformity

| | |
|----------------------|----------|
| Degree of protection | EN 60529 |
|----------------------|----------|

Ambient conditions

| | |
|---------------------|--------------------------------|
| Ambient temperature | -40 ... 85 °C (-40 ... 185 °F) |
| Pollution degree | 3 |

Release date: 2021-04-16 Date of issue: 2021-04-16 Filename: 117133_eng.pdf

Refer to "General Notes Relating to Pepperl+Fuchs Product Information".

Pepperl+Fuchs Group
www.pepperl-fuchs.com

USA: +1 330 486 0001
fa-info@us.pepperl-fuchs.com

Germany: +49 621 776 1111
fa-info@de.pepperl-fuchs.com

Singapore: +65 6779 9091
fa-info@sg.pepperl-fuchs.com

PEPPERL+FUCHS

Technical Data

Mechanical specifications

| | | |
|----------------------|--|--|
| Plug connector | | |
| Tightening torque | | 0.5 Nm |
| Tool installation | | straight knurling , hexagon nut SW = 18 mm |
| Mating cycles | | min. 50 |
| Degree of protection | | IP67 |
| Connection | | Screw terminals for max. 0.75 mm ² PG9 cable gland |
| Cable | | |
| Sheath diameter | | 6 ... 8 mm |

Material

| | | |
|------------------|--|-----------------------------|
| Plug connector | | |
| Screw connection | | Zinc diecast, nickel-plated |
| Body | | PA, black |
| Contact surface | | CuSnZn |

Connection Assignment

