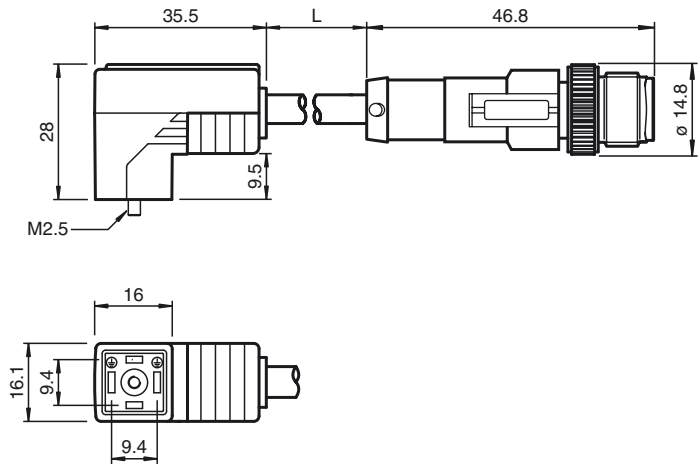




Dimensions



Model Number

VMCI-2+P/Z2-2M-PUR-V1-G

Valve connector, Form C (Ind) on M12, 2+PE, LED, Z diode, PUR cable

Features

- Z diode as a protective circuit
- Built-in LED, as operating and function indicator
- Moulded seal
- freely selectable cable models due to bridged protective earth
- Flame resistant cable
- Halogen-free

Technical data

General specifications

Number of pins 2 + PE

Indicators/operating means

LED yellow Functional display

Electrical specifications

Operating voltage U_B 24 V AC/DC
 Test voltage 2000 V
 Operating current I_B max. 4 A
 Volume resistance < 5 m Ω
 Suppression Zener diode

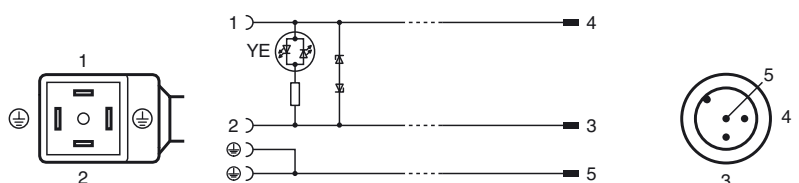
Ambient conditions

Ambient temperature Body: -20 ... 85 °C (-4 ... 185 °F)
 cable, flexing: -20 ... 80 °C (-4 ... 176 °F)
 cable, fixed: -40 ... 80 °C (-40 ... 176 °F)
 Pollution degree 3

Mechanical specifications

Degree of protection IP65/IP67
 Connection Valve connector, Form C (Ind)
 Material
 Contacts CuSn
 Contact surface Sn; Ni/Au
 Body TPU, black
 Cable PUR
 Seal TPU
 Core insulation PP
Cable
 Sheath diameter \varnothing 4.5 mm
 Bending radius > 50 mm
 > 22.5 mm, fixed
 Color dark grey (RAL 7021)
 Cores (2 + 1) x 0.5 mm²; 20 AWG
 Conductor construction 28 x 0.15 mm \varnothing
 Length L 2 m

Electrical connection



Release date: 2017-07-25 15:26 Date of issue: 2017-07-25 247714_eng.xml

Refer to "General Notes Relating to Pepperl+Fuchs Product Information".

Pepperl+Fuchs Group
 www.pepperl-fuchs.com

USA: +1 330 486 0001
 fa-info@us.pepperl-fuchs.com

Germany: +49 621 776 4411
 fa-info@de.pepperl-fuchs.com

Singapore: +65 6779 9091
 fa-info@sg.pepperl-fuchs.com