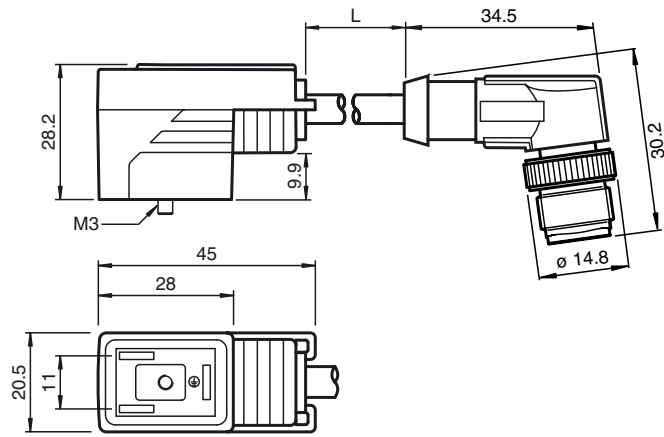




Dimensions



Model Number

VMBI-2+P/Z2-0,3M-PVC-V1-W

Valve connector, Form B (Ind) on M12, 2+PE, LED, Z diode, PVC cable

Features

- Valve connector according EN 175301-803 A/ISO 4400 (previously DIN 43650)
- Suitable for F31K and F31K2 double sensors
- Z diode as a protective circuit
- Built-in LED, as operating and function indicator
- Moulded seal
- Flame resistant cable

Technical data

General specifications

Number of pins 2 + PE

Indicators/operating means

LED yellow Functional display

Electrical specifications

Operating voltage U_B 24 V AC/DC

Operating current I_B max. 4 A

Volume resistance < 5 m Ω

Suppression Zener diode

Ambient conditions

Ambient temperature Body: -20 ... 85 °C (-4 ... 185 °F)
cable, flexing: -5 ... 80 °C (23 ... 176 °F)
cable, fixed: -40 ... 80 °C (-40 ... 176 °F)

Pollution Degree 3

Mechanical specifications

Degree of protection IP65/IP67

Connection Valve connector Form B (Ind)

Material

Contacts CuSn

Contact surface Sn

Body TPU, black

Cable PVC

Core insulation PVC

Cable

Sheath diameter Ø 4.8 mm

Bending radius > 5 x cable diameter, moving

> 10 x cable diameter, fixed

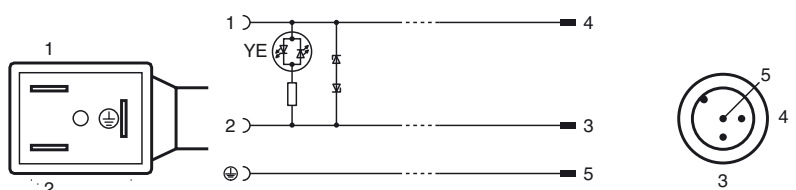
Color black

Cores 3 x 0.5 mm², 20 AWG

Conductor construction 28 x 0.15 mm Ø

Length L 0.3 m

Electrical connection



Release date: 2015-12-15 14:51 Date of issue: 2015-12-16 247600_eng.xml