



### Model Number

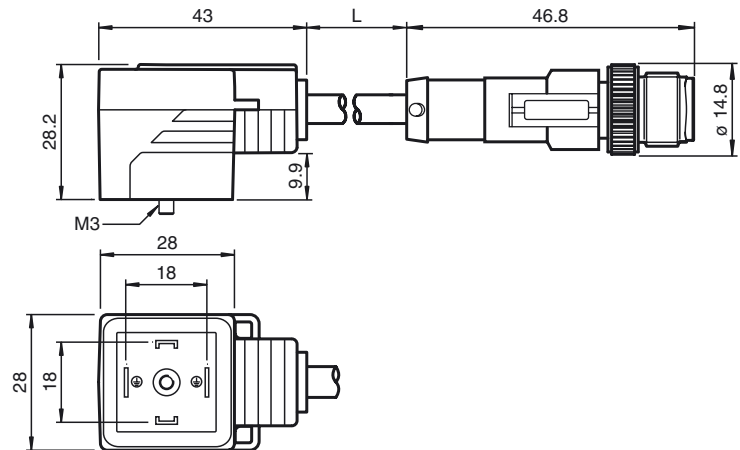
#### VMA-2+P/Z2-1,5M-PUR-V1-G

Valve connector, Form A, 2+PE, Z diode, PUR cable to M12 round connector

### Features

- Valve connector according EN 175301-803 A/ISO 4400 (previously DIN 43650)
- Z diode as a protective circuit
- Built-in LED, as operating and function indicator
- Moulded seal
- freely selectable cable models due to bridged protective earth
- Flame resistant cable
- Halogen-free

### Dimensions



### Technical data

#### General specifications

Number of pins 2 + PE

#### Indicators/operating means

LED yellow Functional display

#### Electrical specifications

Operating voltage  $U_B$  24 V AC/DC  
 Operating current  $I_B$  max. 4 A  
 Volume resistance < 5 m $\Omega$   
 Suppression Zener diode

#### Ambient conditions

Ambient temperature Body: -20 ... 85 °C (-4 ... 185 °F)  
 cable, flexing: -20 ... 80 °C (-4 ... 176 °F)  
 cable, fixed: -40 ... 80 °C (-40 ... 176 °F)  
 Pollution Degree 3

#### Mechanical specifications

Degree of protection IP65/IP67  
 Connection Valve connector Form A  
 Material  
 Contacts CuSn  
 Contact surface Sn  
 Body TPU, black  
 Cable PUR  
 Core insulation PP  
 Cable  
 Sheath diameter  $\varnothing$  4.5 mm  
 Bending radius > 50 mm  
 > 22.5 mm, fixed  
 Color black  
 Cores (2 + 1) x 0.5 mm<sup>2</sup>; 20 AWG  
 Conductor construction 28 x 0.15 mm  $\varnothing$   
 Length L 1.5 m

### Electrical connection

