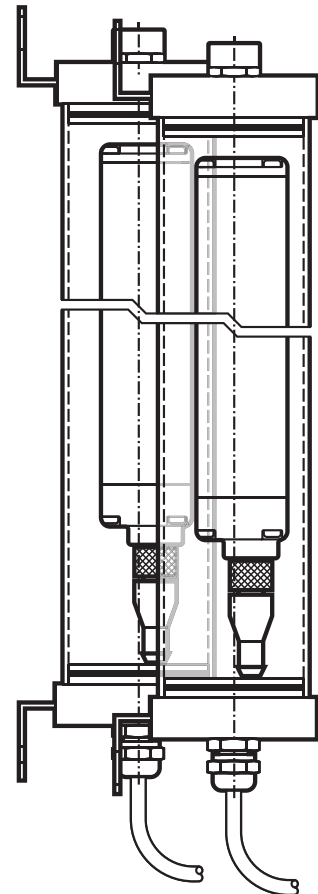


Original operating instructions
Photoelectric safety sensors
(safety light curtain / safety light grid)
with IP69K protective tube
Protected area width (range) 0...15 m
OY4xxS

UK

11510708 / 00 01 / 2023



Contents

1	Preliminary note.....	4
1.1	Symbols used	4
1.2	Warning signs used	4
2	Safety instructions	5
2.1	Safety-related requirements regarding the application.....	6
3	Items supplied.....	7
4	Functions and features	7
5	Function	8
6	Installation.....	9
6.1	Installation instructions	9
6.2	Calculation of the minimum safety distance	11
6.3	Vertical installation of the safety light curtains / light grids.....	12
6.3.1	Safety light curtains: resolution 30 mm.....	12
6.3.2	Safety light grids 2, 3 and 4 beams	13
6.4	Horizontal installation of the safety light curtains.....	13
6.5	Fixing and optical alignment	14
6.5.1	Optical alignment.....	14
6.6	Distance of reflective surfaces.....	15
6.7	Multiple systems	17
6.8	Use of corner mirrors.....	18
7	Electrical connection.....	19
7.1	Wiring diagram transmitter.....	19
7.2	Wiring diagram receiver.....	20
8	Operating modes	21
8.1	Automatic operation	22
8.2	Manual operation	22
8.3	Connection of external feedback contacts	23
8.4	Test function.....	23
8.4.1	Internal test function	23
9	Operating and display elements	24
9.1	LED indicators for optical alignment	24
9.1.1	Alignment in the automatic mode	24

9.1.2 Alignment in the manual mode	25
9.2 LED states	26
10 Operation	27
10.1 Switching state of the outputs.....	27
10.1.1 The safe state.....	27
10.1.2 The switched state.....	27
10.1.3 Interface classification	27
10.2 Functional test of the safety light curtains	28
11 Scale drawing	29
11.1 Safety light curtain	29
11.2 Safety light grid	30
11.2.1 Position of the light beams.....	31
12 Technical Data	32
12.1 Heating	33
12.2 Safety light curtains: 30 mm resolution.....	33
12.3 Safety light curtains: 40 mm resolution.....	34
12.4 Safety light grids 2, 3 and 4 beams	34
13 Troubleshooting	34
13.1 Fault diagnosis transmitter	34
13.2 Fault diagnosis receiver.....	35
14 Maintenance, repair and disposal.....	36
15 Terms and abbreviations.....	37
16 Annex.....	38
16.1 Check list.....	38

1 Preliminary note

The instructions are part of the unit. They are intended for authorised persons according to the EMC and low voltage directives and safety regulations.

The instructions contain information about the correct handling of the product. Read the instructions before use to familiarise yourself with operating conditions, installation and operation.

Adhere to the safety instructions.

1.1 Symbols used

▶ Instructions

> Reaction, result

→ Cross-reference

○ LED off

● LED on

⊗ LED flashes



Important note

Non-compliance can result in malfunction or interference.



Information

Supplementary note.



Access prevention hand protection



Access prevention bodies or parts of bodies



Primary guarding bodies or parts of bodies



Access prevention body protection

1.2 Warning signs used

 **WARNING**

Warning of serious personal injury.

Death or serious irreversible injuries may result.

2 Safety instructions

- Follow the operating instructions.
- In case of non-observance of notes or standards, specially when tampering with and / or modifying the unit, any liability and warranty is excluded.
- The unit must be installed, connected and put into operation by a qualified electrician trained in safety technology.
- The applicable technical standards for the corresponding application must be complied with.
- For the installation the standards EN 60204, EN 999 and ISO 13855 have to be observed.
- In case of malfunction of the unit please contact the manufacturer. Tampering with the unit is not allowed.
- Disconnect the unit externally before handling it. Disconnect all relay load circuits that are supplied independently.
- After set-up the system has to be subjected to a complete function check.
- Only use the unit under the specified operating conditions (→ 12 Technical data). In case of special operating conditions please contact the manufacturer.
- In case of any questions concerning safety - if required - contact the safety expert in charge of your country.

WARNING

In case of improper handling of the product, the safety and physical integrity of operators and machinery cannot be guaranteed.

Death or serious irreversible injuries may result.

- ▶ Observe all notes on installation and handling in these instructions.
- ▶ The photoelectric safety sensors must only be used under the specified operating conditions and in accordance with use as prescribed below.

2.1 Safety-related requirements regarding the application

It must be ensured that the safety requirements of the respective application correspond to the requirements stated in these instructions.

Observe the following requirements:

- ▶ Adhere to the specified operating conditions (→ 12 Technical data). Use of the photoelectric safety sensors in the vicinity of ionising radiation is not permitted. Furthermore, their use in the vicinity of chemically and biologically active media is to be checked, if necessary.
- ▶ Material resistance tests of the photoelectric safety sensors with a protective tube have been carried out for applications in the food industry. For the tested chemicals see the respective ECOLAB certificate or contact your ifm branch office.
- ▶ Adhere to the principle of normally closed operation for all external safety circuits connected to the system.
- ▶ If the photoelectric safety sensors go into the state defined as safe due to an internal fault, measures have to be taken to maintain the safe state when the installation resumes operation.
- ▶ Replace damaged units.

The protective function of the photoelectric safety sensors is only ensured with the following conditions:

- The machine control can be electrically controlled and the hazardous machine motion can be stopped immediately at any time of the operation cycle.
- There is no danger for machine operators due to ejection of materials or machine parts.
- The hazardous area is only accessible via the protected area.

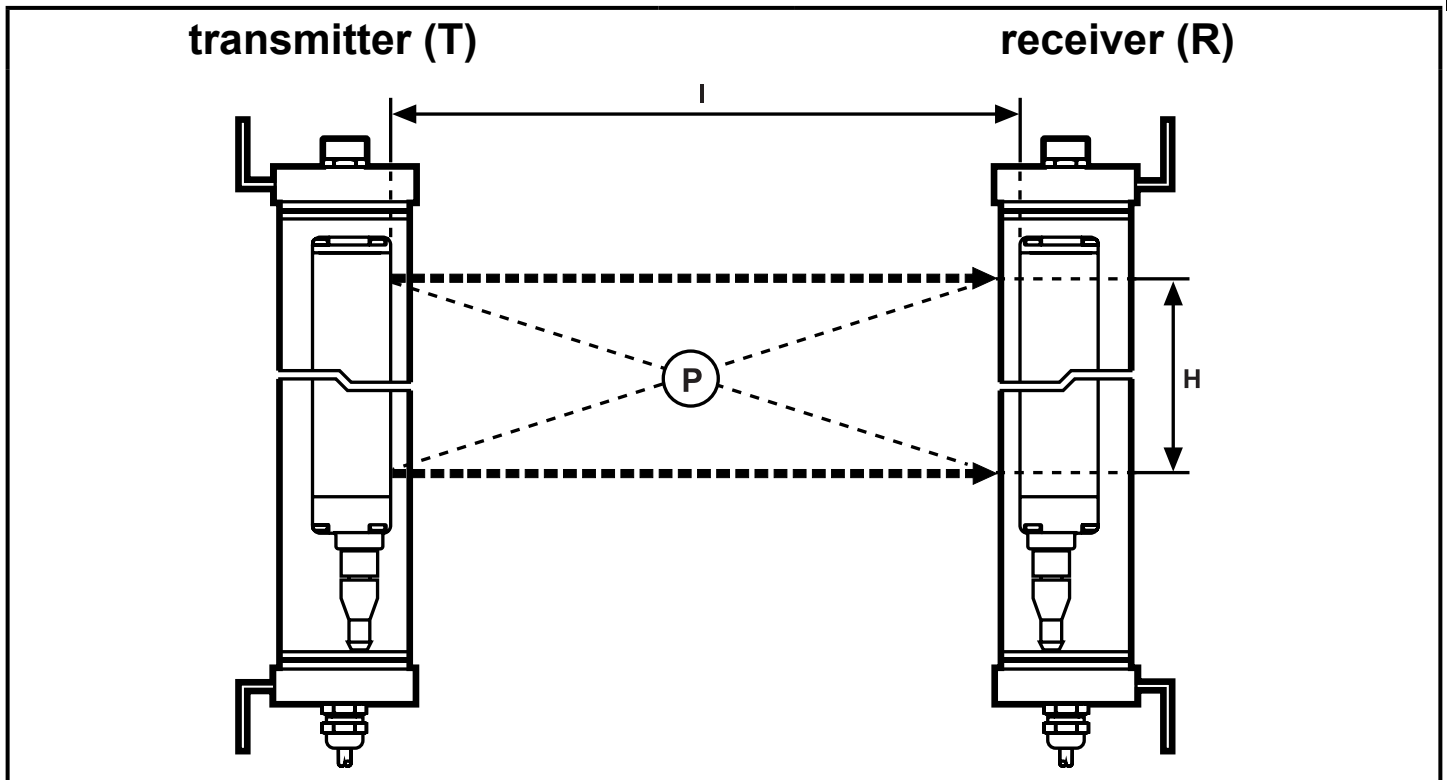
3 Items supplied

- 2 photoelectric safety sensors (1 transmitter and 1 receiver) with IP69K protective tube
- 1 operating instructions photoelectric safety sensors with IP69K protective tube, reference number 704860

If one of the above-mentioned components is missing or damaged, please contact one of the ifm branch offices.

4 Functions and features

UK



P = protected area; l = protected area width (range) H = protected area height

The OY4xxS safety light curtains / light grids are multi-beam optoelectronic protective devices to IEC 61496 and consist of one transmitter and one receiver.

5 Function

The protected area (P) is generated between the transmitter and the receiver and is defined by the protected area height (H) and the protected area width (range) (l).

The protected area height is the height protected by the safety light curtain / safety light grid. It depends on the design (→ 12 Technical data).

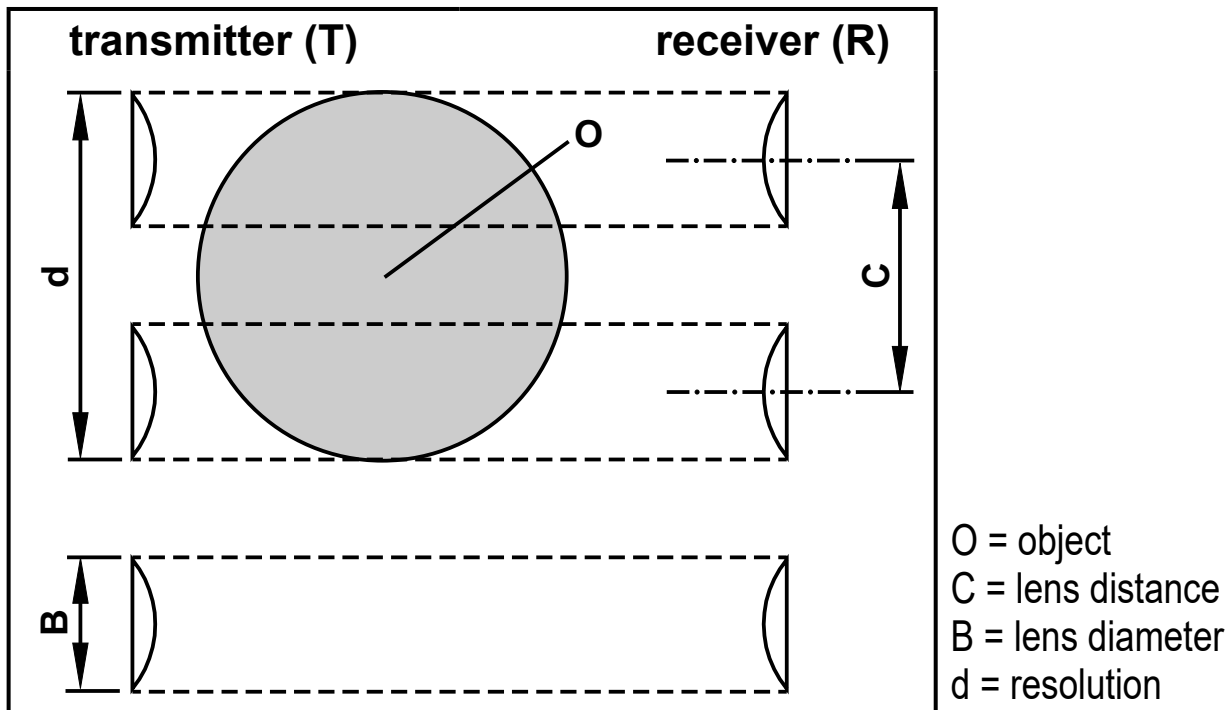
If the safety light curtains are installed horizontally, this value indicates the depth of the protected area.

The protected area width (range) is the maximum distance between transmitter and receiver (→ 12 Technical data).

If the protected area is clear, the two outputs (OSSDs) of the receiver are active.

If an object (O) with a diameter greater than or equal to the resolution (d) enters the protected area, the outputs are switched off.

The resolution (d) (detection capability) of the safety light curtain depends on the lens diameter (B) and the lens distance (C) and remains constant at all application conditions.



To ensure that an object (O) is reliably detected in the protected area the dimensions of the object (O) must be at least as great as the resolution (d).

6 Installation

6.1 Installation instructions

The following conditions are to be ensured before installation of the photoelectric safety sensors:

- The degree of protection of the electro-sensitive equipment (ESPE) has to correspond with the risk assessment of the machine to be monitored.
- The safety system ensures a safety function and is not required for the operation of a machine.
- It must be possible to stop any hazardous motion of the machine immediately. In this respect the shutdown delay of the machine has to be determined.
- The object to be detected must be greater than or equal to the resolution of the photoelectric safety sensor.



Install the photoelectric safety sensors so that the hazardous area can only be accessed via the protected area. Depending on the application other mechanical protective equipment may be necessary.

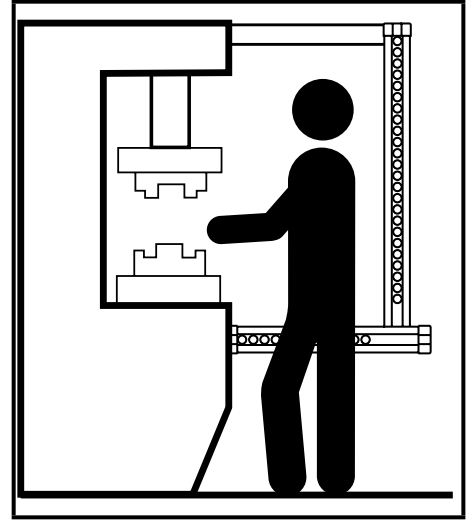
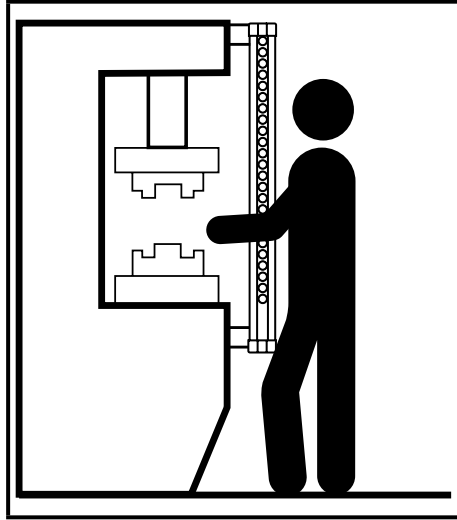
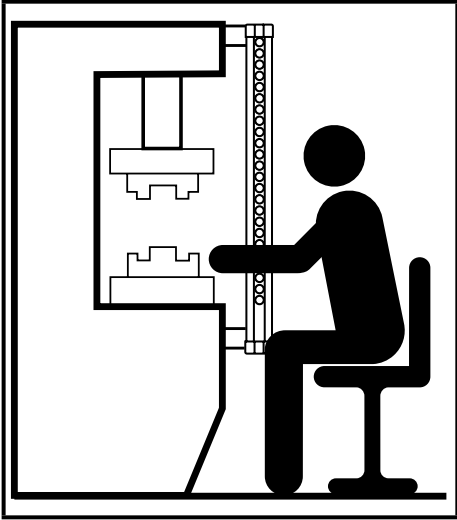
The operating conditions at the mounting location must not affect the functioning of the photoelectric safety sensors. Please note especially:

- The transmitter and the receiver must not be affected by intensive light sources (emitters, sunlight etc.).
- The ambient temperature must be within the range indicated (→ 12 Technical data).
- Fogging of the lenses due to considerable temperature fluctuations can affect the functioning of the photoelectric safety sensors. Take appropriate measures to prevent this.
- Certain operating conditions can affect the functioning of the photoelectric safety sensors. For mounting locations where fog, rain, smoke or dust may occur, it is recommended to take appropriate measures.
- The standards EN 999 and ISO 13855 must be adhered to.

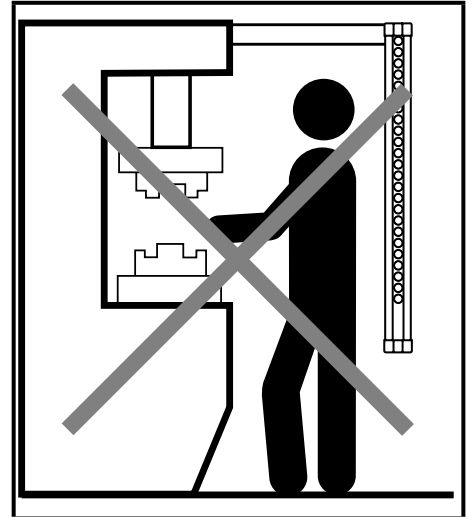
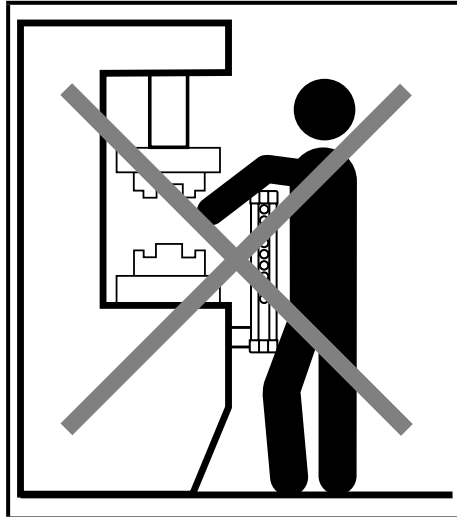
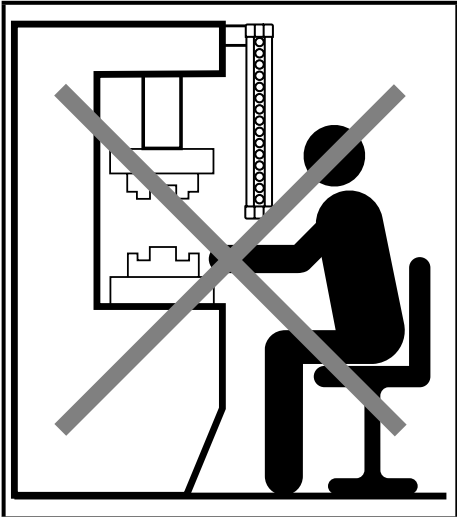


Observe the following illustrations for correct installation of the photoelectric safety sensors.

Correct installation

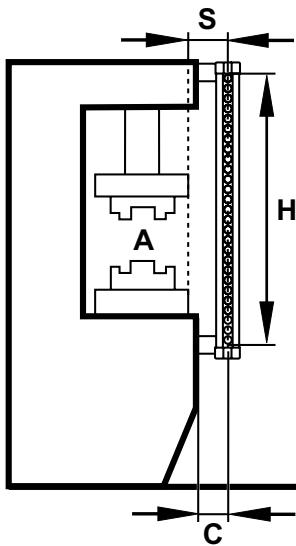


Wrong installation



6.2 Calculation of the minimum safety distance

There must be a minimum safe distance between the photoelectric safety sensor and the point of danger. This distance must be ensured so that the point of danger cannot be accessed before the hazardous state of the machine has been stopped.



- Install the photoelectric safety sensor at a distance that is greater than or equal to the minimum safety distance (S) so that the hazardous area (A) can only be accessed after complete standstill of the hazardous machine motion.

According to the European Standard EN 999:2008 the following formula is to be used to calculate the minimum safety distance (S):

$$S = K (t_1 + t_2) + C$$

$$C = 8 (d - 14)$$

A = hazardous area

H = protected area height

S = minimum safety distance

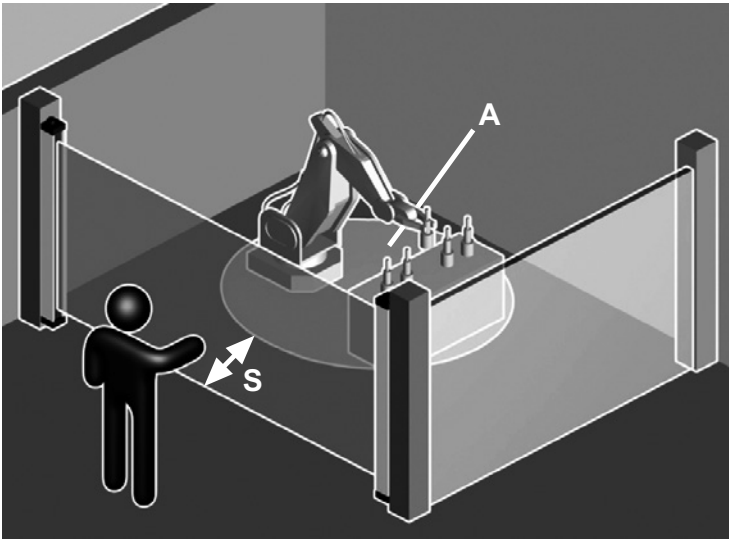
C = additional distance

S	Minimum safety distance	mm
K	Speed of approach of the object towards the hazardous area	mm/s
t₁	Total response time of the protective equipment, from release to switching off	s
t₂	Total response time of the machine, from the stop signal to switching off or to passing into the state defined as safe	s
C	Additional distance	mm
d	Resolution (detection capacity)	mm



Non-compliance with the minimum safety distance may lead to restrictions to or loss of the safety function.

Application example:



A = hazardous area
S = min. safety distance

6.3 Vertical installation of the safety light curtains / light grids

6.3.1 Safety light curtains: resolution 30 mm



These designs are suitable for access prevention of hands (hand protection).



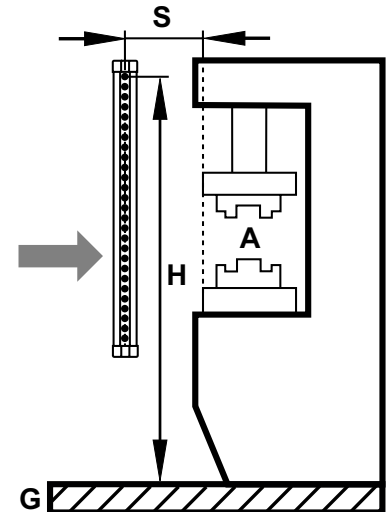
They must not be used for finger protection!

The minimum safety distance (S) is determined using the following formula:

$$S = 2000 (t_1 + t_2) + 8 (d - 14)$$

This formula applies to minimum safety distances (S) between 100 and 500 mm. If the calculation shows that S is greater than 500 mm, the distance can be reduced to a minimum value of 500 mm by using the following formula:

$$S = 1600 (t_1 + t_2) + 8 (d - 14)$$



A = hazardous area
H = height

S = min. safety distance
G = reference level

If due to the special configuration of the machine it should be possible to reach the hazardous area from above, the highest light beam of the safety light curtain should be at a height (H) (measured from the reference level (G)) whose value is determined to the specifications in ISO 13855.

6.3.2 Safety light grids 2, 3 and 4 beams



These versions are suitable for access prevention for entire bodies.

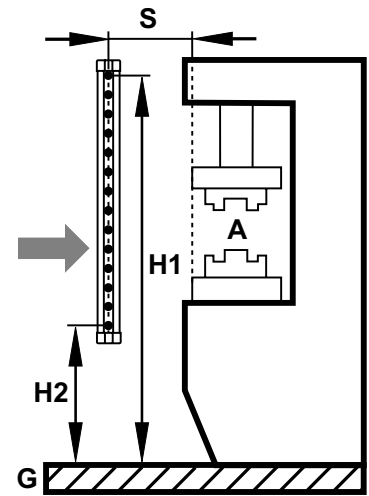


They must not be used for the protection of hands or body parts!

The minimum safety distance (S) is determined using the following formula:

$$S = 1600 (t_1 + t_2) + 850$$

The height (H1) of the upper light beam measured from the reference level (G) must not be shorter than 900 mm while the height (H2) of the lowest light beam must not exceed 300 mm (ISO 13855).



A = hazardous area
Hx = height

S = min. safety distance
G = reference level

6.4 Horizontal installation of the safety light curtains



These versions are suitable for primary guarding for bodies or parts of bodies.

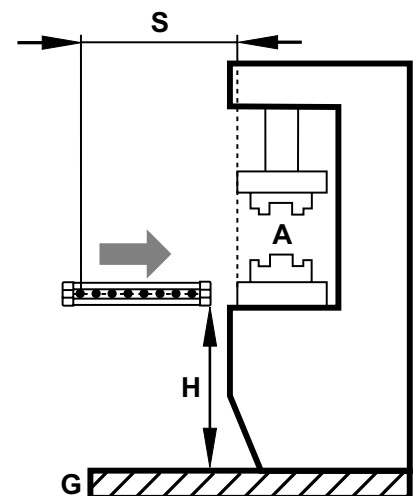
With horizontal installation it has to be noted that the distance between the outer border of the hazardous area (A) and the outer light beam of the safety light curtain is greater than or equal to the minimum safety distance (S). It is calculated as follows:

$$S = 1600 (t_1 + t_2) + 1200 - 0.4 H$$

with H being the height of the protected area of the reference level (G) of the machine;

$$H = 15 (d - 50)$$

In this example the following applies: $H < 1$ m (to ISO 13855).



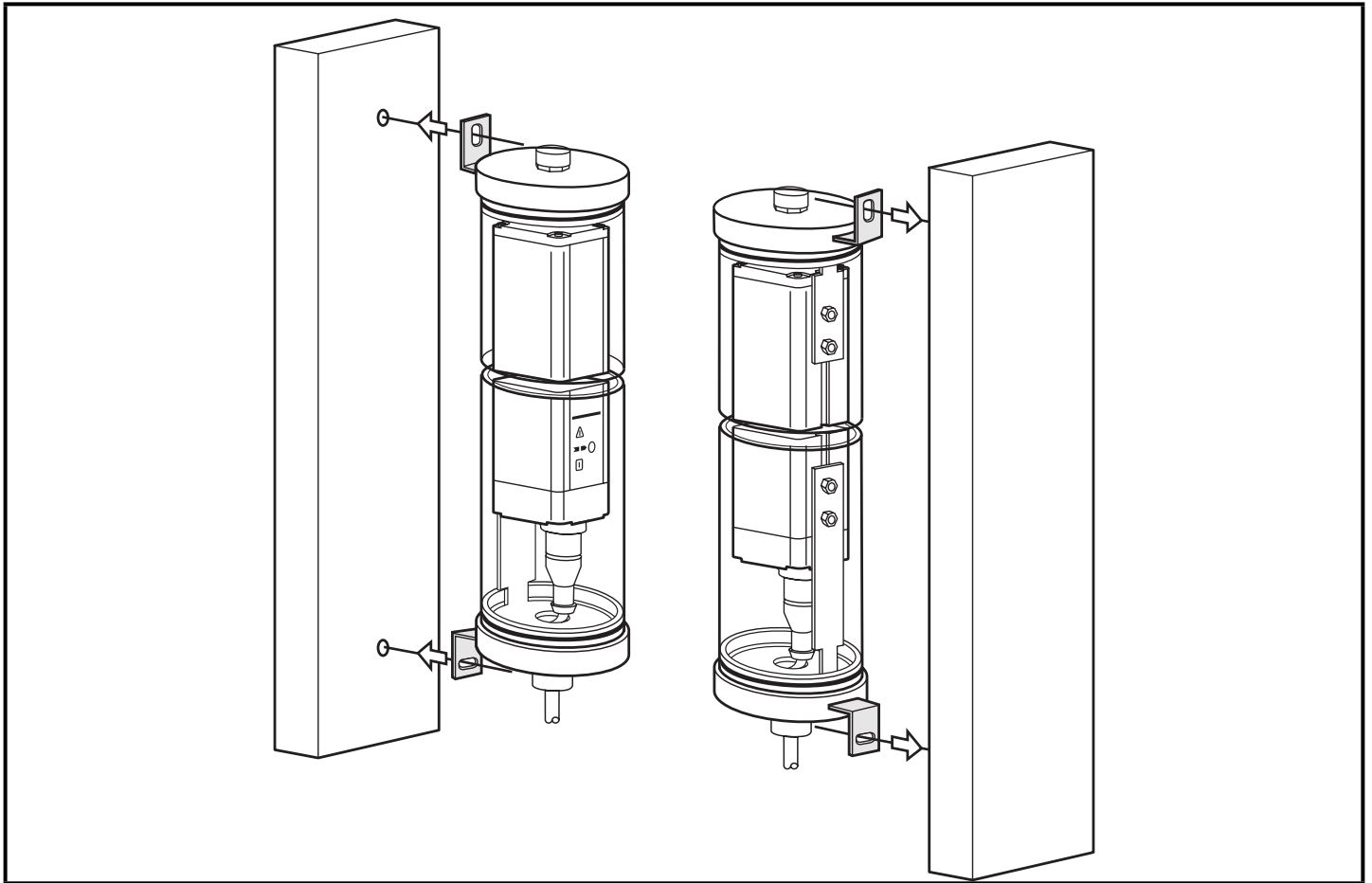
A = hazardous area
H = height

S = min. safety distance
G = reference level

6.5 Fixing and optical alignment

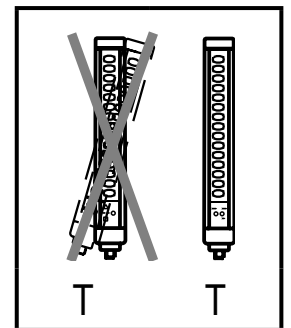
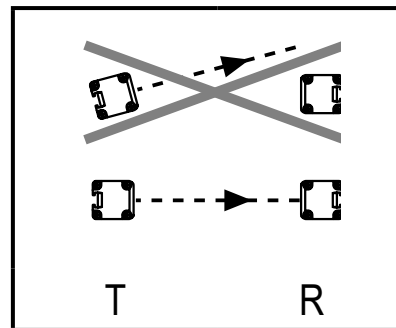
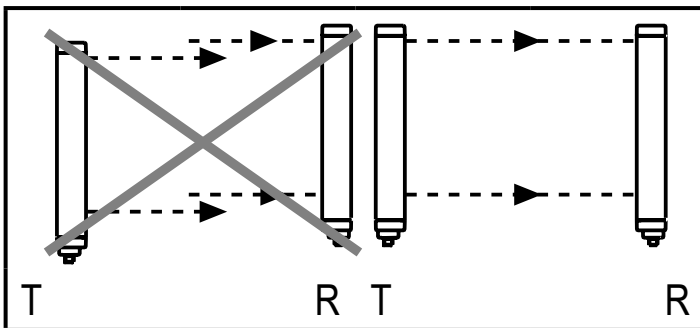


Correct alignment of the transmitter and the receiver is decisive for the proper function of the photoelectric safety sensors.



- ▶ Install the transmitter and the receiver so that they are exactly opposite each other.

6.5.1 Optical alignment



T = transmitter; R = receiver

- ▶ Align the transmitter and the receiver so that they are in parallel at the same height and the cables face the same direction.
- ▶ Fix the transmitter and the receiver.

The indication LEDs of the receiver help to correctly align the photoelectric safety sensors. (→ 9.1 LED indicators for optical alignment)

6.6 Distance of reflective surfaces



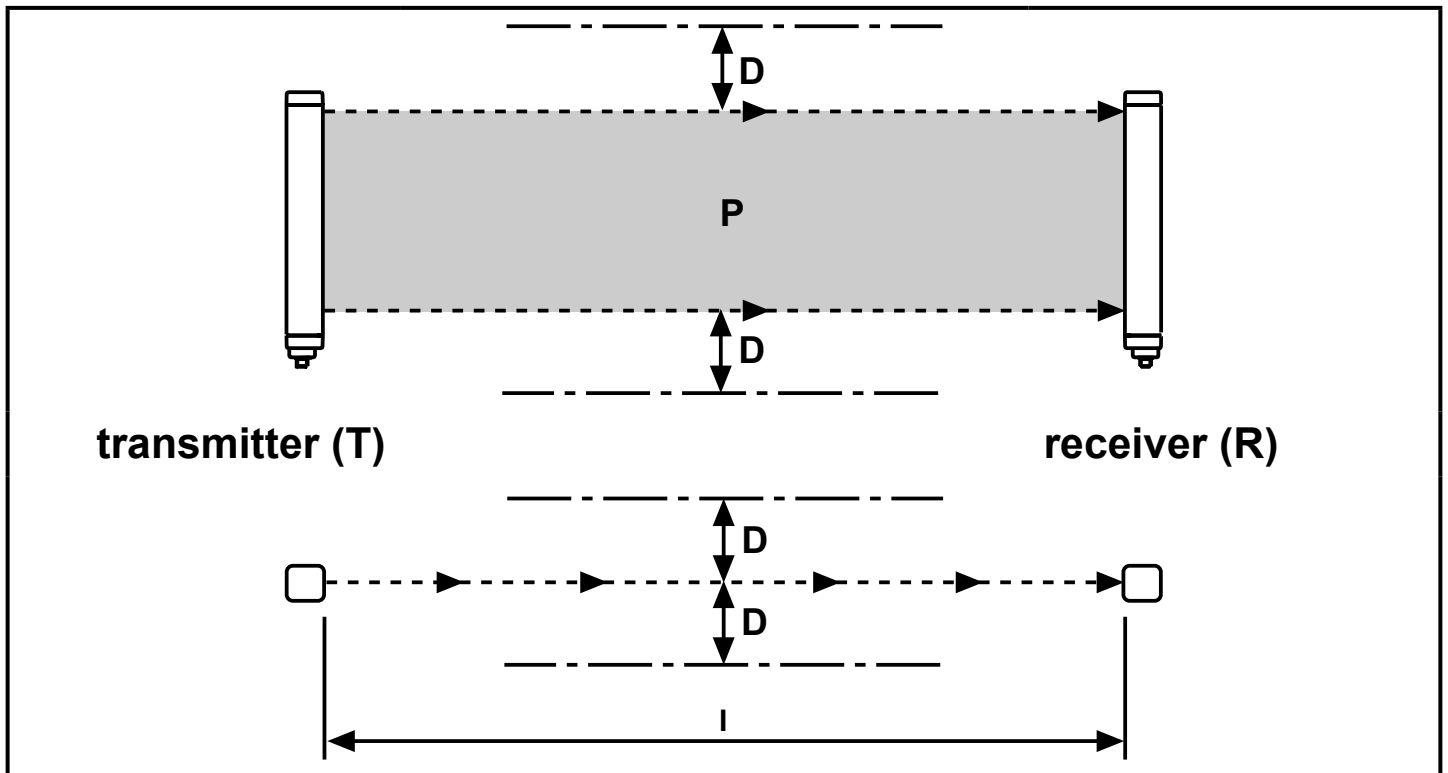
Reflective surfaces close to photoelectric safety sensors can disable the safety function of the system.

The minimum distance (D) depends on the protected area width (I) taking into consideration the projection and receiving angles.



The minimum distance (D) between reflective surfaces and the protected area (P) must be observed. In case of non-compliance an object which has to be detected cannot be sensed. In case of improper handling of the product, the safety and physical integrity of operators and machinery cannot be guaranteed.

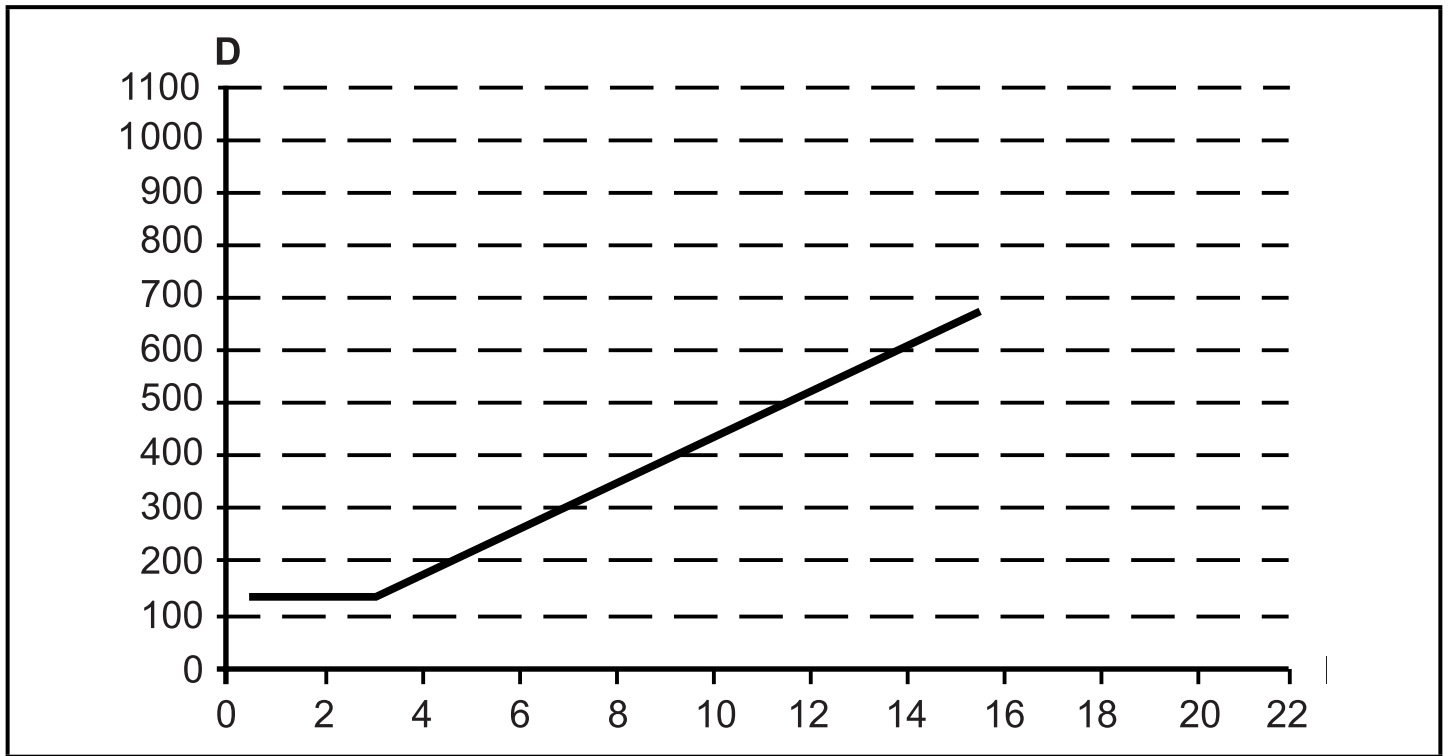
UK



D = minimum distance; I = protected area width (range); P = protected area

- After installation test by intended interruption of the protected area (P) if reflective surfaces affect the function of the photoelectric safety sensors.

Minimum distance to reflective surfaces



D = minimum distance in [mm]; l = protected area width (range) [m]

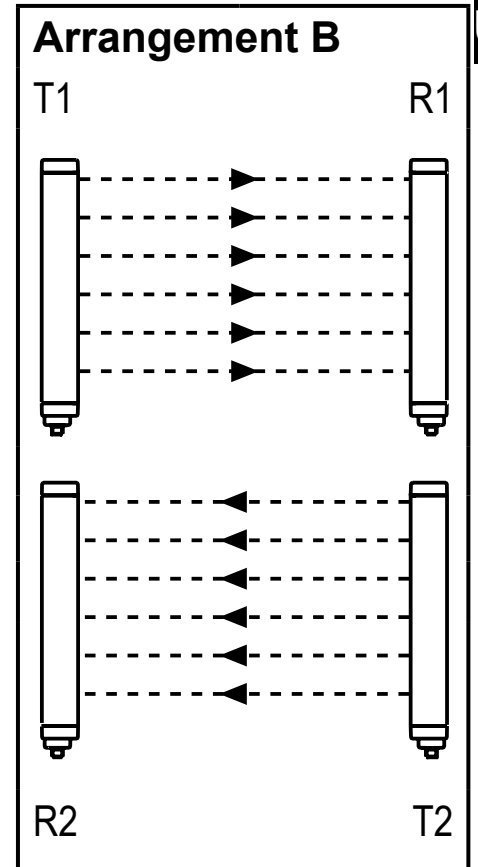
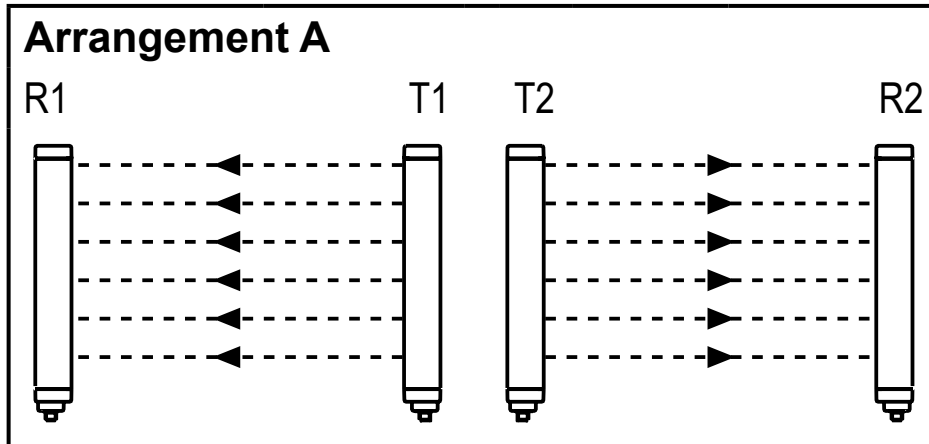
6.7 Multiple systems



The use of several safety light curtains / safety light grids can lead to malfunction and disable the protective function.

The safety light curtains / safety light grids are to be installed so that the beam sent by the transmitter of a system can only be detected by the respective receiver.

The following important rules for installation are to be observed to avoid mutual interference of several systems:



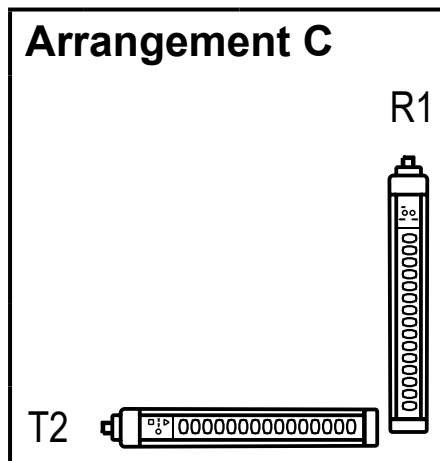
UK

Possible arrangements:

A: Position of both transmitters next to each other

B: Position transmitter 1 and receiver 2 on top of each other

C: Combination in "L" shape



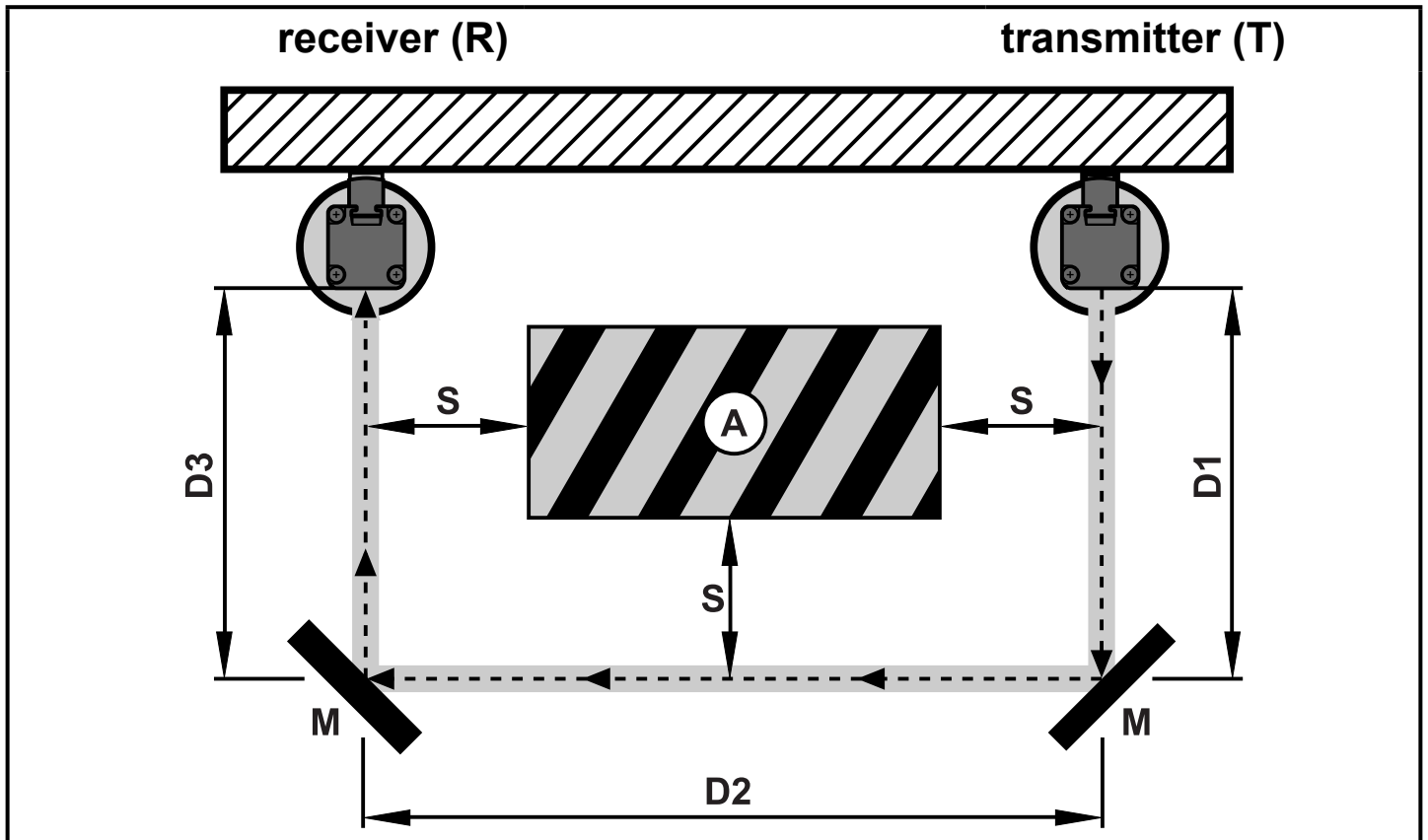
T = transmitter; R = receiver

6.8 Use of corner mirrors

To protect and monitor hazardous areas with access from several sides one or several corner mirrors can be used (available as accessory). By using mirrors the light beam emitted by the transmitter can be sent via several access sides.

- ▶ To obtain a reflection angle of 90° the mirrors are to be oriented in an angle of inclination of 45° .

The following image shows an application where U-shaped access protection is implemented using two mirrors.




A = hazardous area
M = corner mirror


S = minimum safety distance
Dx = side length


- ▶ Install the corner mirrors so that the minimum safety distance (S) is adhered to at each side of the hazardous area.
- ▶ During installation make sure that the reflecting area is plane and that no vibrations affect the safety device.
- The range is the sum of the length of all sides ($D1 + D2 + D3$) of the access to the protected area. The maximum range of the photoelectric safety sensors is reduced by 15% for each mirror.
- Do not use more than three mirrors.

7 Electrical connection

► Disconnect power. Also disconnect any independently supplied relay load circuits.

 The nominal voltage is 24 V DC. This voltage may vary between 19.2 V and 28.8 V.

 In case of a single fault the operating voltage must not exceed a maximum of 28.8 V DC. Therefore a safe separation between current supply and transformer is necessary.

 To guarantee functional reliability an output capacity of min. 2000 μ F / A has to be ensured if a power supply with diode bridge is used.

UK

► Connect the units as indicated in the following tables:


7.1 Wiring diagram transmitter

Core colours	Name	Type	Description
brown	L+ (24 V DC)	Input	Operating voltage
white	Range 0		Configuration protected area width
blue	L- (0 V DC)		Operating voltage
green	Range 1		Configuration protected area width
grey	FE		Functional earth
red	24 V AC / DC		Heating 24 V AC / DC
yellow	0 V DC		Heating 0 V DC
pink	n.c.		not connected

The protected area width (range) to be used is configured via range 0 and range 1.

Configuration protected area width (range)

Range 0	Range 1	Description
24 V	0 V	Selection range low (0...7 m)
0 V	24 V	Selection range high (3...15 m)
0 V	0 V	Transmitter in test function (\rightarrow 8.4 Test function)
24 V	24 V	No function, configuration error

 For proper function of the safety light curtains the white and green cores of the transmitter have to be connected according to the indications in the above table.

7.2 Wiring diagram receiver

Core colours	Name	Type	Description
white	OSSD1	Output	Static safety-related output 1
brown	24 V DC	–	Operating voltage 24 V DC
green	OSSD2	Output	Static safety-related output 2
yellow	K1_K2/Restart	Input	External feedback contacts
grey	SEL_A	Input	Safety light curtains operating mode
pink	SEL_B	Input	
blue	0 V DC	–	Operating voltage 0 V DC
red	FE	–	Functional earth
violet	24 V AC / DC	–	Heating 24 V AC / DC
black	0 V DC	–	Heating 0 V DC

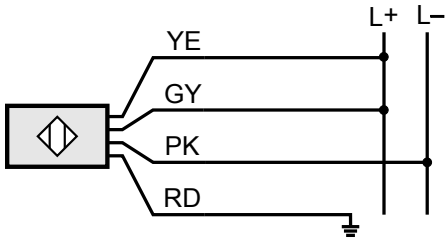
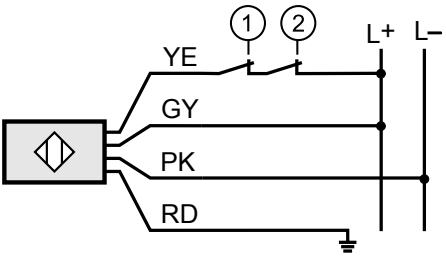
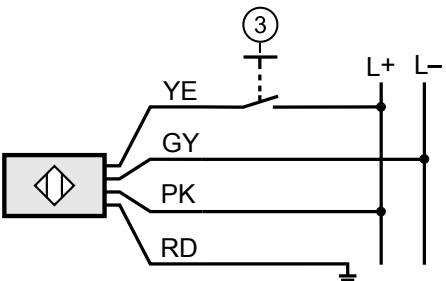
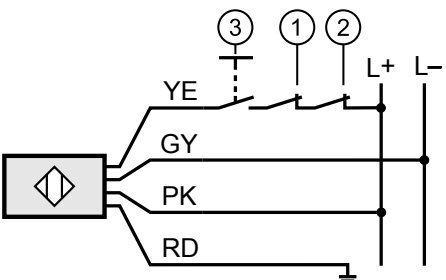


Note: Lay the cables of the photoelectric safety sensors separately from sources of interference such as power lines.

- Connect the transmitter and the receiver to the functional earth.

8 Operating modes

The different operating modes of the safety light curtains / light grids of the OY4xxS series can be set via the respective connections to the receiver.

Operating modes	Connections		
	yellow	grey	pink
A Automatic 	K1_K2 Connection to: L+ (24 V DC)	SEL_A Connection to: L+ (24 V DC)	SEL_B Connection to: L- (0 V DC)
B Automatic with monitoring of the feedback contacts 	K1_K2 Connection to: L+ (24 V DC) (via NC of the feedback contacts)	SEL_A Connection to: L+ (24 V DC)	SEL_B Connection to: L- (0 V DC)
C Manual 	K1_K2 /restart Connection to: L+ (24 V DC) (via start button)	SEL_A Connection to: L- (0 V DC)	SEL_B Connection to: L+ (24 V DC)
D Manually with monitoring of the feedback contacts 	K1_K2 /restart Connection to: L+ (24 V DC) (via start button and NC of the feedback contacts)	SEL_A Connection to: L- (0 V DC)	SEL_B Connection to: L+ (24 V DC)
1: Feedback contact 1 2: Feedback contact 2 3: Restart	Core colours: YE (yellow), GY (grey), PK (pink), RD (red)		

UK

8.1 Automatic operation

If the safety light curtains / light grids are used in the automatic mode, monitored start is not possible.

The safety light curtains / light grids automatically return to operation with clear protected area, the outputs (OSSDs) are activated.



Verify if this is compatible with the risk analysis of your machine.

In the automatic mode the OSSD1 and OSSD2 outputs follow the status of the safety light curtains / light grids :

Protected area clear	Outputs = active logic "1"
Protected area interrupted	Outputs = deactivated logic "0"

8.2 Manual operation

Operation in the manual mode (Start / Restart) is always necessary when passage to a hazardous area is to be monitored (persons can be present in the hazardous area after accessing the protected area without being detected).

The start / restart button has to be outside the hazardous area. It has to be installed so that the hazardous area and access can be clearly seen. It must not be possible to activate the start / restart button from within the hazardous area.



In the manual mode the safety light curtains / safety light grids comply with the function as "trip device" to IEC 61496. Non-compliance with this standard can lead to a hazard for people.

The OSSD1 and OSSD2 safety outputs are activated when the protected area is clear and the restart command is entered via a start button or via a respective pulse on the K1_K2/Restart input.

If the safety light curtains / light grids are released by a person or an object, a restart command (24 V on the K1_K2/Restart input) has to be released. Pulse duration > 100 ms.

8.3 Connection of external feedback contacts

External feedback contacts can be integrated in the automatic or manual operating mode. The feedback contacts have to be connected in series between the operating voltage and K1_K2 / Restart (→ 8 Operating modes / table, fig. B).

With manual function a start button has additionally to be switched in series (→ 8 Operating modes / table, fig. D).

8.4 Test function

For the test function the photoelectric safety sensors can e.g. be tested by a process control system or a control module (→ 7.1 Table Configuration protected area width).

UK

The test pulse interrupts the light emission by the transmitter and the outputs carry a 0 signal (→ 10.1 Switching states of the outputs).

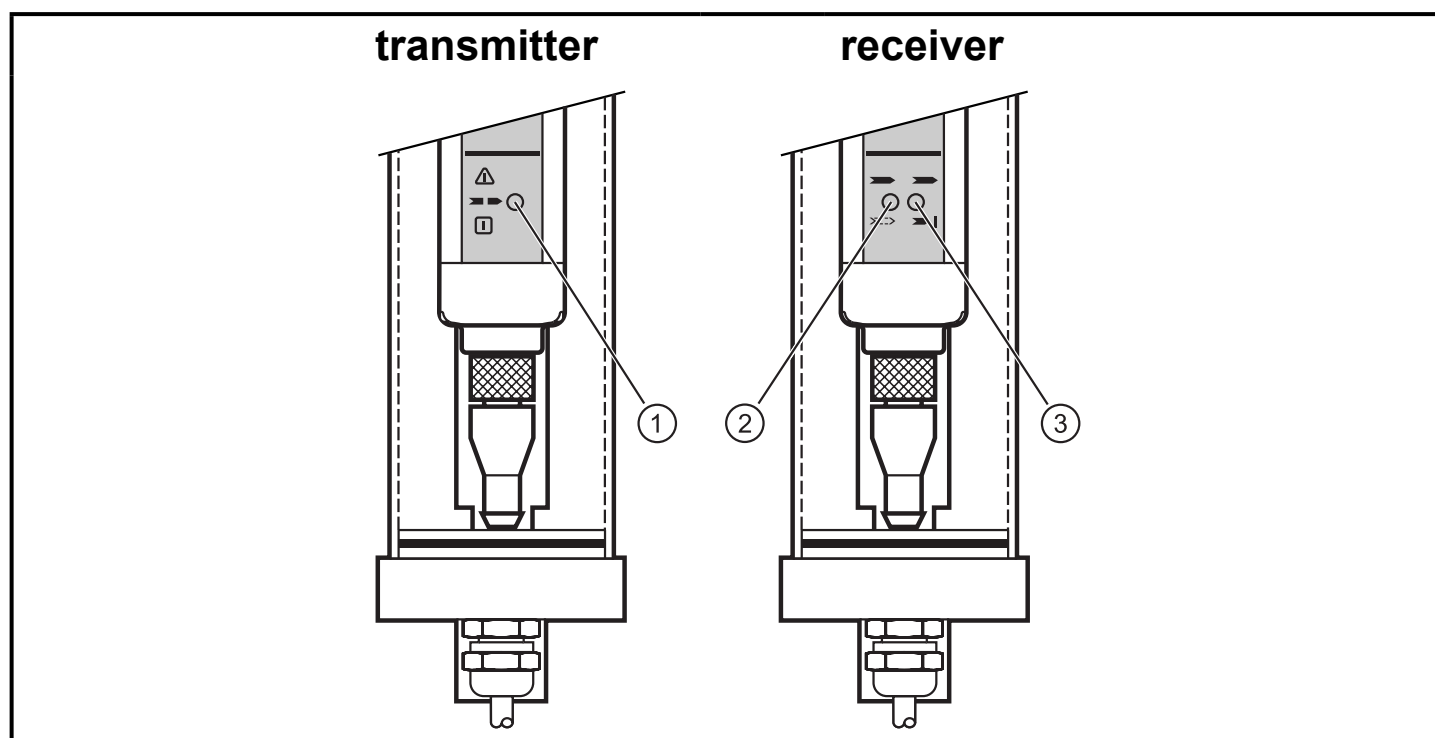


The minimum duration of the test command is 4 ms.

8.4.1 Internal test function

Type 4 safety light curtains / light grids continuously perform internal tests. The faults are detected within the response time of the respective model leading to switch-off (response times → 12 Technical data).

9 Operating and display elements



1: LED 3 colours (red/green/orange)

2: LED 2 colours (yellow/blue)

3: LED 2 colours (red/green)

9.1 LED indicators for optical alignment

The indication LEDs of the receiver help to correctly align the photoelectric safety sensors.

9.1.1 Alignment in the automatic mode

Description	Receiver			
	2-colour LED red	2-colour LED green	2-colour LED yellow	2-colour LED blue
Receiver does not detect any light beams	●	○	○	○
Receiver detects some light beams	⊗	○	○	●
Receiver detects all light beams with a weak signal	○	●	○	●
Receiver detects all light beams	○	●	○	○

- ▶ Align the transmitter so that the green LED of the receiver lights.
- ▶ Securely fasten the transmitter and the receiver.

9.1.2 Alignment in the manual mode

In the manual operating mode the yellow LED lights instead of the green one. The light curtain / light grid will then wait for the manual release.

Description	Receiver			
	2-colour LED red	2-colour LED green	2-colour LED yellow	2-colour LED blue
Receiver does not detect any light beams	●	○	○	○
Receiver detects some light beams	⊗	○	○	●
Receiver detects all light beams with a weak signal	○	○	⊗	⊗
Receiver detects all light beams	○	○	●	○

- ▶ Align the transmitter so that the green LED of the receiver lights.
- ▶ Securely fasten the transmitter and the receiver.

UK

9.2 LED states

The blue LED is lit when the signal is weak (→ 9.1).

Description	Transmitter			Receiver			
	LED			LED		LED	
	red	green	orange	red	green	yellow	blue
Activating the system, input test	●	○	○	●	○	●	○
Fault (→ 13 Troubleshooting)	⊗	○	○	⊗	○	○	○
Test condition	○	○	●	○	○	○	○
Normal operating conditions	○	●	○	○	● *)	○	○
Protected area interrupted, outputs deactivated	○	●	○	●	○	○	○
Protected area clear, outputs deactivated, waiting for restart	○	●	○	○	○	●	○
Protected area clear, outputs activated	○	●	○	○	●	○	○

*) The green LED flashes twice when the system is switched on if the unit has been configured with a high range.

10 Operation

10.1 Switching state of the outputs

The safety light curtains / light grids have two outputs (OSSDs) on the receiver; the status depends on the condition of the protected area.

All short-circuits between the outputs or between an output and the current supply (24 V DC or 0 V DC) are detected by the safety light curtains / light grids as a fault.

Output	Binary states			Description
OSSD1	1			Condition protected area clear.
OSSD2	1			
OSSD1	1	0	0	Condition protected area interrupted or fault detected.
OSSD2	0	1	0	

UK

10.1.1 The safe state

The safe state is when the output is switched off (zero-current state: logic "0") of min. one of the outputs (OSSDs).

If one of the outputs is switched off, the subsequent safety-related logic unit must bring the complete system into the state defined as safe.

10.1.2 The switched state

In switched state the receiver provides a current of 24 V DC (logic "1") to both outputs.

Output characteristics

The output characteristics follow the characteristics of the input according to IEC 61496:

Logic "1"	24 V DC	max. 400 mA
Logic "0"	≤ 1.5 V DC	< 0.2 mA

10.1.3 Interface classification

The interface of the devices complies with interface type C class 3 according to the ZVEI position paper CB 24I Ed. 2.0

Identification key

	Interface type		Suitable interface type		
Source	C3	Receiver	C1	C2	C3

10.2 Functional test of the safety light curtains

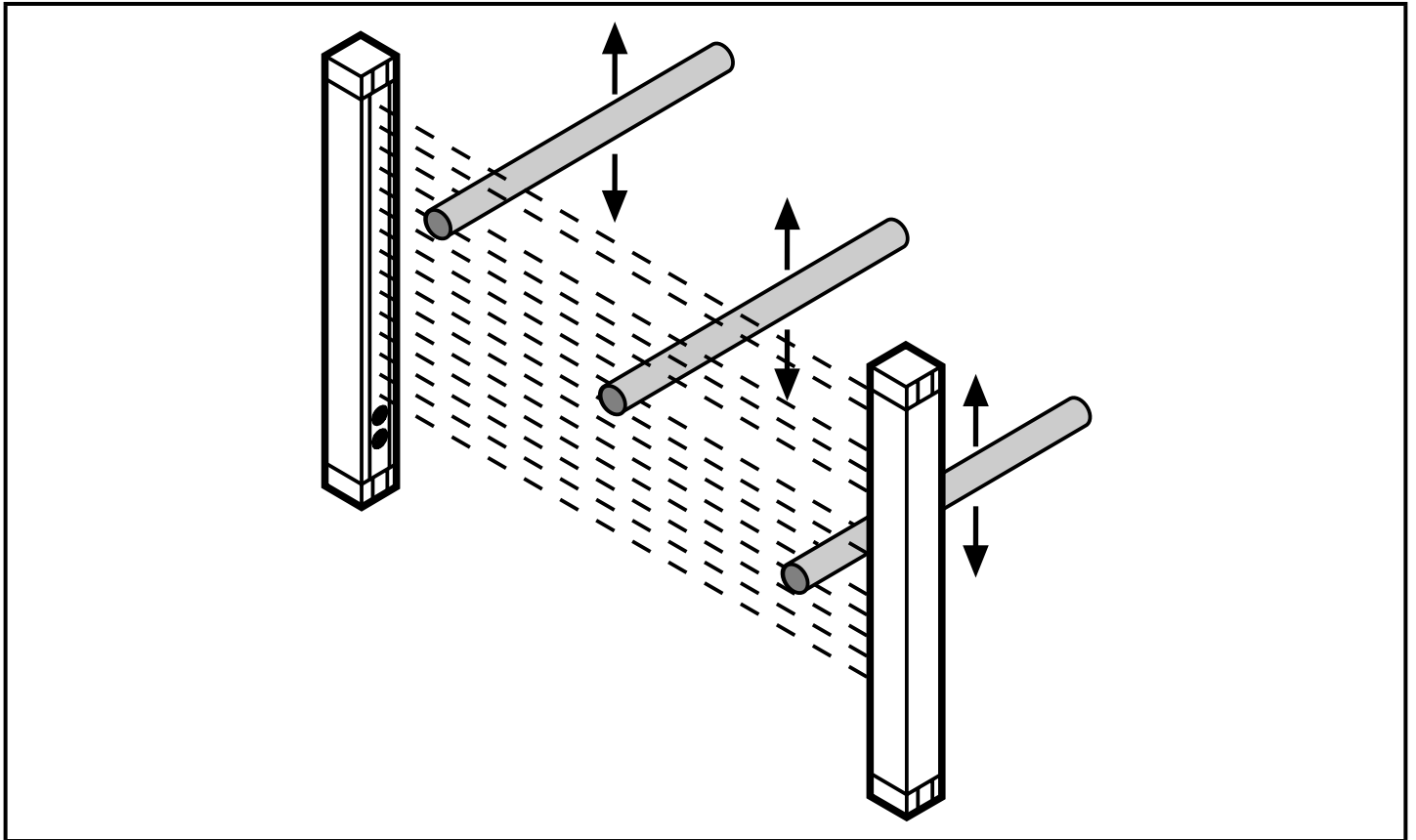


Check the proper function of the safety light curtains before work starts.

For the functional test a test object in accordance with a resolution of the safety light curtains has to be used.

For information about available test rods see:

www.ifm.com → Products → Accessories.



- ▶ Let the test object enter the protected area and move it slightly downwards. First of all in the centre and then close to the transmitter and the receiver.
- ▶ Make sure that the red LED on the receiver is continuously lit during the movement in the protected area.



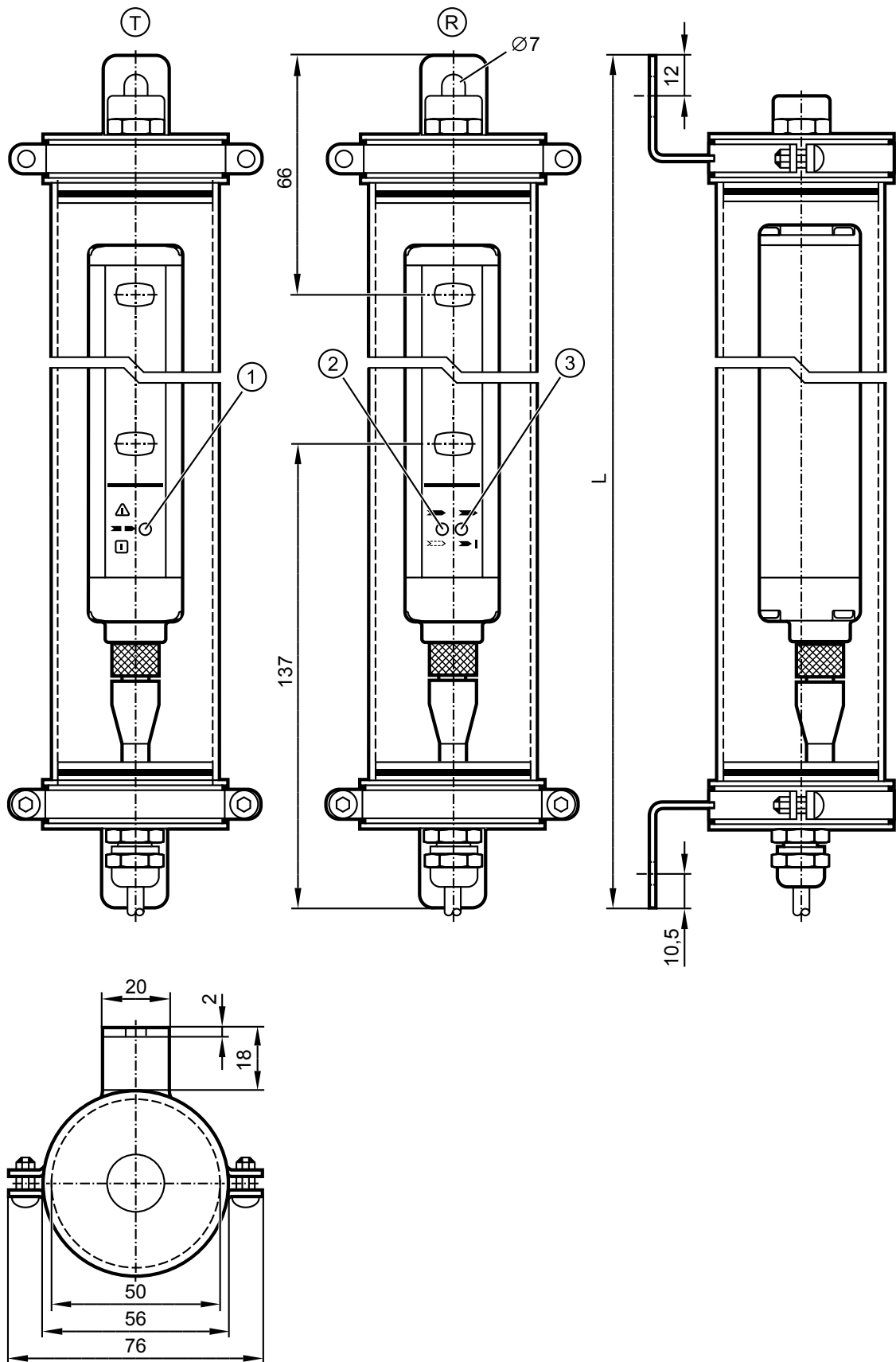
Observe the notes on installation of the safety light curtains → 14 Maintenance, repair and disposal.



Notes on setup → 17.1 Check list.

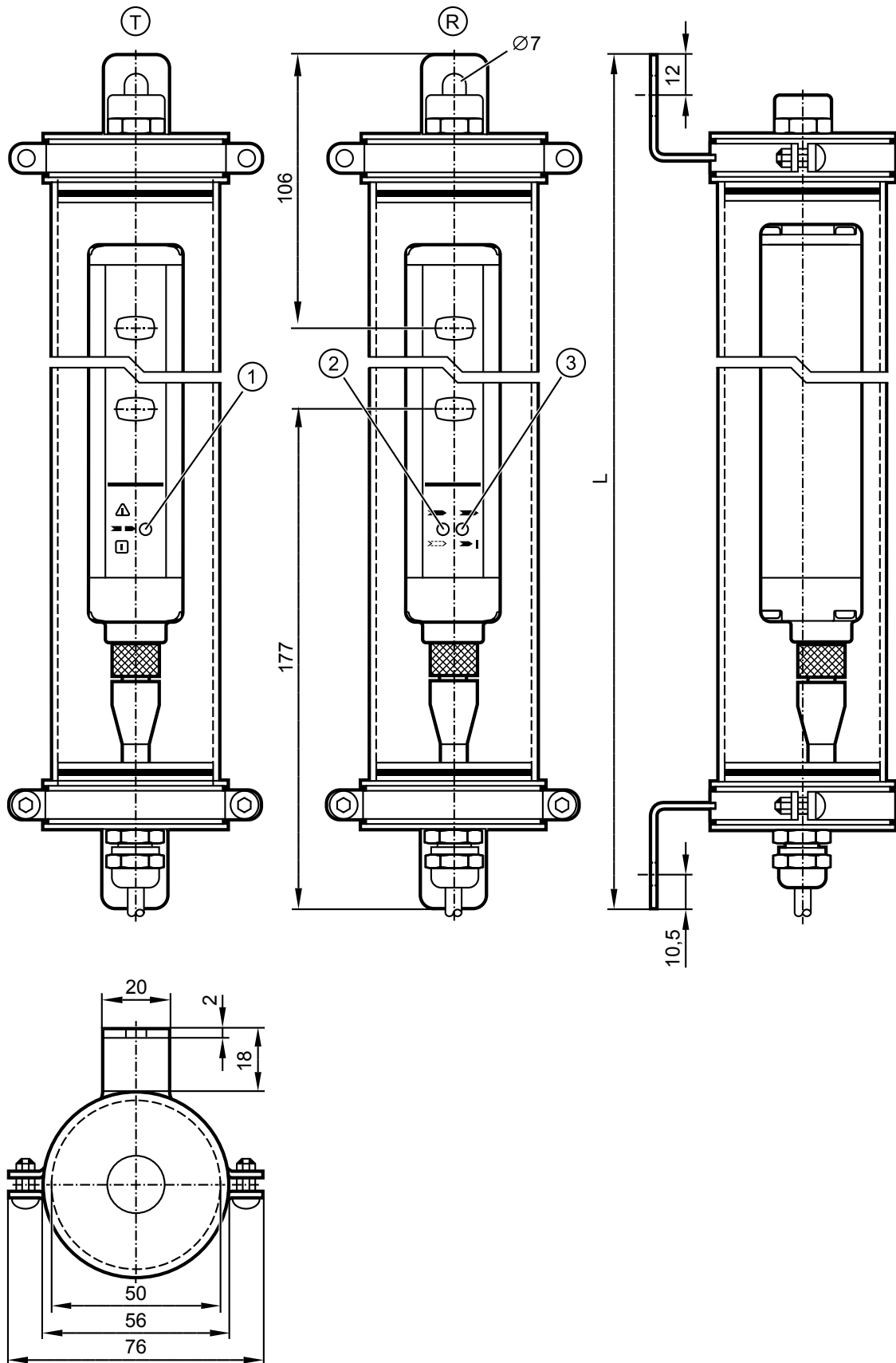
11 Scale drawing

11.1 Safety light curtain



- | | |
|------------------|-------------------------------------|
| T: transmitter | 1: LED 3 colours (red/green/orange) |
| R: receiver | 2: LED (yellow) |
| L: total length* | 3: LED 2 colours (red/green) |

11.2 Safety light grid



- | | |
|------------------|-------------------------------------|
| T: transmitter | 1: LED 3 colours (red/green/orange) |
| R: receiver | 2: LED (yellow) |
| L: total length* | 3: LED 2 colours (red/green) |

* available lengths → 12 Technical data

11.2.1 Position of the light beams

Model	Beams	Position of the light beams measured from the lower edge of the protective tube [mm]
OY421S	2	177 - 677
OY422S	3	177 - 577 - 977
OY423S	4	177 - 477 - 777 - 1077

12 Technical Data

Conforms to the requirements of: Type 4 IEC 61496-1, SIL 3 IEC 61508, SILcl 3 IEC 62061, ISO 13849-1:2015 category 4 PL e	
Electrical design	DC / PNP
Operating voltage	24 DC (19.2...28.8)
Current consumption	
Transmitter [mA]	42
Receiver [mA]	83
Outputs (OSSDs)	2 x PNP
Max. current load per output [mA]	400 (24 V)
Max. capacitive load CL_max [μ F]	0.82
Power-on delay time [s]	< 2
Mission time T _M [h]	175200
EMC	IEC 61496-1
Vibration	IEC 61496-1
Shock	IEC 61496-1
Ambient temperature [°C]	-10...55
Max. perm relative air humidity [%]	95
Protection	IP 65 / IP 67 / IP 69K / III
Housing material	
Transparent protective tube	PMMA
Protective cap	POM
Clamp	High-grade stainless steel (316L/1.4404)
Sealing ring	Silicone
Type of light	Infrared light 950 nm
Display	LED yellow, LED green, LED red, LED blue, LED orange
Connection	
Transmitter	PVC cable / 15 m / 8 x 0.34 mm ²
Receiver	PVC cable / 15 m / 10 x 0.34 mm ²
Max. cable length [m]	100 *)

*) for wire cross-section 0.34 mm²


12.1 Heating

	OY441S	OY442S	OY443S	OY444S	OY445S	OY446S	OY447S	OY448S	OY449S	OY450S
Current consumption										
Transmitter [mA]	83	167	250	333	375	417	417	417	417	417
Receiver [mA]	83	167	250	333	375	417	417	417	417	417


	OY421S	OY422S	OY423S
Current consumption			
Transmitter [mA]	333	417	417
Receiver [mA]	333	417	417

UK


12.2 Safety light curtains: 30 mm resolution

	OY441S	OY442S	OY443S	OY444S	OY445S	OY446S	OY447S	OY448S	OY449S	OY450S	OY452S
Total length L [mm]	342	492	642	792	942	1092	1242	1392	1542	1692	1692
Protected area height [mm]	160	310	460	610	760	910	1060	1210	1360	1510	1510
Response time [ms]	3	4	5	6	6.5	7.5	8.5	9.5	10	11	11
Safety-related reliability PFH _D [1/h]	9.2 ⁻⁰⁹	1.0 ⁻⁰⁸	1.2 ⁻⁰⁸	1.3 ⁻⁰⁸	1.4 ⁻⁰⁸	1.5 ⁻⁰⁸	1.7 ⁻⁰⁸	1.8 ⁻⁰⁸	1.9 ⁻⁰⁸	2.0 ⁻⁰⁸	2,0 ⁻⁰⁸
Test pulse duration t _i [μs]	80	80	80	80	80	80	80	80	80	80	80
Test pulse interval T [ms]	3,0	4,0	4,8	5,8	6,6	7,6	8,4	9,4	10,2	11,2	11,2
Ratio t _i / T [%]	2,7	2,0	1,7	1,4	1,2	1,1	1,0	0,9	0,8	0,7	0,7

12.3 Safety light curtains: 40 mm resolution

		OY451S
Total length L	[mm]	1842
Protected area height	[mm]	1660
Response time	[ms]	14
Safety-related reliability PFH _D [1/h]		1,5 ⁻⁰⁸
Test pulse duration t _i	[μs]	80
Test pulse interval T	[ms]	8,8
Ratio t _i / T	[%]	0,9

12.4 Safety light grids 2, 3 and 4 beams

		OY421S	OY422S	OY423S
Number of beams		2	3	4
Total length L	[mm]	782	1082	1182
Protected area height	[mm]	510	810	910
Response time	[ms]	2.5	2.5	2.5
Safety-related reliability PFH _D [1/h]		9.2 ⁻⁰⁹	1.0 ⁻⁰⁸	1.1 ⁻⁰⁸
Test pulse duration t _i	[μs]	80	80	80
Test pulse interval T	[ms]	2,3	2,4	2,5
Ratio t _i / T	[%]	3,5	3,3	3,2

13 Troubleshooting

The LEDs of the transmitter and the receiver indicate faulty operating states (→ 9 Operating and display elements). For a detailed fault description see the following tables.

13.1 Fault diagnosis transmitter

LED		Possible cause	Troubleshooting
red	2 consecutive pulses	Faulty connection	Check the white and green cores.
red	3/4 consecutive pulses	Internal fault	Send device to ifm branch office for repair.

13.2 Fault diagnosis receiver

LED		Possible cause	Troubleshooting
red	2 consecutive pulses	Wrong configuration	Check connections.
red	3 consecutive pulses	Feedback external contactor missing	Check the connection to the external feedback contacts.
red	4 consecutive pulses	Interfering transmitter detected	Find interfering transmitter and take one of the following measures: <ul style="list-style-type: none"> - Reduce the range of the interfering transmitter from high to low. - Exchange position of transmitter and receiver. - Change location of the interfering transmitter so that the receiver is not influenced. - Screen the beams coming from the interfering transmitter using a mat protective device.
red	5 consecutive pulses	Fault OSSD outputs	Check connections. If the defect remains, send device to ifm branch for repair.
red	6/7 consecutive pulses	Internal fault	Send device to ifm branch office for repair.
yellow		Weak signal	<ul style="list-style-type: none"> - Check alignment of transmitter and receiver. - Clean protective tube, check range. - Waiting for restart pulse.

14 Maintenance, repair and disposal

- Maintain the photoelectric protective equipment in accordance with the applicable national regulations in effect within the requested intervals. The tests must be performed by qualified persons.
 - It is recommended to regularly clean the protective tube of the transmitter and the receiver.
 - To avoid electrostatic charging on the protective tube do not use any woollen cloths.
 - During cleaning processes the photoelectric safety sensor has to be disconnected.
 - Observe the specified cleaning media and the maximum cleaning temperature (80°). For more information see the Ecolab certificate.
- Perform a function check after the cleaning process.



Scratches on the protective tubes of the photoelectric safety sensors can deviate the light beams and impair the protective function.

- Only the manufacturer is allowed to repair the unit.
- After use dispose of the unit in an environmentally friendly way in accordance with the applicable national regulations.

15 Terms and abbreviations

Blanking		Optional function ensuring that objects are in the protected area which are larger than the detection capacity without the OSSDs switching off.
ESPE	Electro-Sensitive Protective Equipment	
CCF	Common Cause Failure	
DC_{avg}	Average Diagnostic Coverage	
Muting		Temporary bridging of a safety function by safety-related parts of the control system.
$MTTF_d$	Mean Time To Dangerous Failure	
OSSD	Output Signal Switching Device	Static safety-related output.
PFH (PFH_D)	Probability of (dangerous) Failure per Hour	
PL	Performance Level	Capability of safety-related parts to perform a safety function at predictable conditions to fulfil the expected risk reduction.
SIL	Safety Integrity Level	SIL 1-4 to IEC 61508. The higher the SIL the lower the probability that a safety function will fail.
SIL_{cl}	Safety Integrity Level _{claim limit}	(to IEC 62061)
T_M	Mission Time	
T1	Test Interval	

UK

16 Annex

16.1 Check list

This check list serves as help for setting up the safety light curtains / light grids. The requirements in this check list should to be met, however depending on the application and the directives / standards referred to.

1. Were the directives / standards valid for safety of machinery complied with?
2. Is access prevention / primary guarding of the point of danger only possible through the protected area of the safety light curtains / light grids?
3. Have steps been taken to prevent reaching under, over or around the light guards to prevent attempts to defeat them?
4. Has the stop or shutdown delay of the machine been measured and adapted according to the installation of the safety light curtains / light grids?
5. Have the safety light curtains / light grids been duly fixed and secured against loosening or movement?
6. Have the safety light curtains / light grids been checked according to the function and maintenance descriptions in these operating instructions?
7. Has external monitoring (EDM) of the control unit (e.g. contactor, valve etc.) been used?
8. Is the state defined as safe for switching on / off of the safety light curtains / light grids initiated?
9. Is /are there any soiling or scratches on the light-emitting surface?
10. Are the installation instructions of these operating instructions adhered to?



This check list does not replace checking or setup by a person trained in safety matters.