

Operating instructions
Accessories for leak checks on Aseptoflex Vario
welding adapters

GB

E30530



Contents

- 1 Preliminary note 3
 - 1.1 Symbols used 3
 - 1.2 Warnings used 3
- 2 Safety instructions 4
- 3 Intended use 5
- 4 Installation 6
 - 4.1 Leak check 6
- 5 Disposal 8



1 Preliminary note

You will find instructions, technical data, approvals and further information using the QR code on the unit / packaging or at www.ifm.com.

1.1 Symbols used

- ✓ Requirement
- ▶ Instructions
- ▷ Reaction, result
- [...] Designation of keys, buttons or indications
- Cross-reference
-  Important note
Non-compliance may result in malfunction or interference.
-  Information
Supplementary note

1.2 Warnings used

	ATTENTION Warning of damage to property
	WARNING Warning of serious personal injury ▷ Death or serious irreversible injuries may result.


2 Safety instructions

- Read this document before setting up the product and keep it during the entire service life.
- The product must be suitable for the corresponding applications and environmental conditions without any restrictions.
- Only use the product for its intended purpose (→ Intended use).
- If the operating instructions or the technical data are not adhered to, personal injury and/or damage to property may occur.
- The manufacturer assumes no liability or warranty for any consequences caused by tampering with the product or incorrect use by the operator.
- Installation, set-up, operation and maintenance of the product must be carried out by qualified personnel authorised by the machine operator.

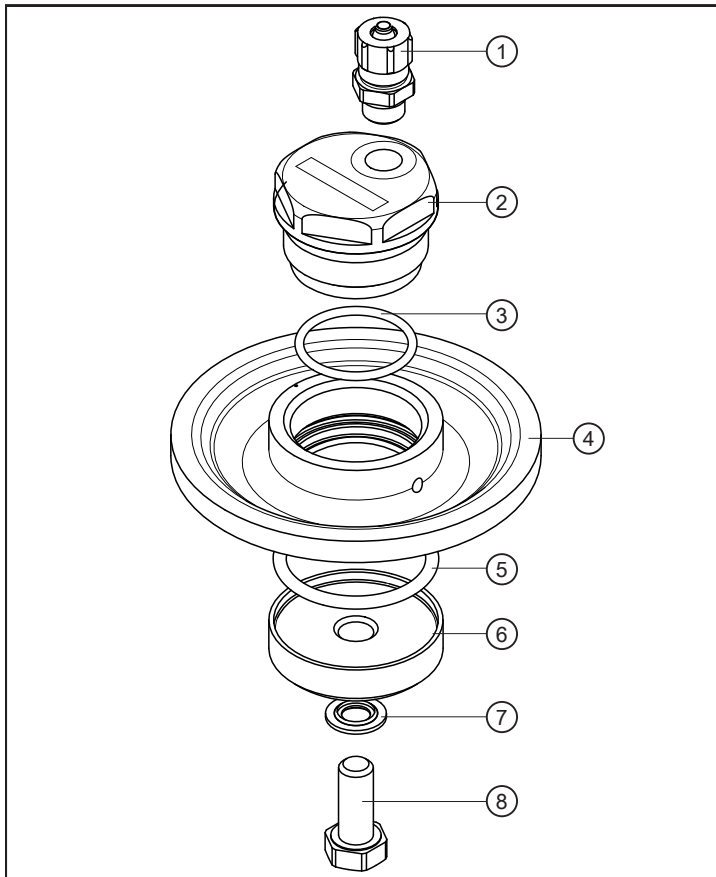
3 Intended use

With accessory E30530, liquid or air is pressed via a pneumatic connection into the front or medium area of the welded adapter to determine whether liquid or air is leaking through the leakage port, which means that the sealing point is leaking due to damage.

4 Installation

 Do not damage the sealing edge of the sensor sealing.

► Install the components of accessory E30530 on the welding adapter to be checked according to the illustration.



- 1: Pneumatic connection
- 2: G1 dummy plug
- 3: 24 x 2 EPDM O-ring
- 4: Aseptoflex Vario welding adapter (design varies)
- 5: 32 x 3 NBR O-ring
- 6: Lower part G1 sealing
- 7: Steel / M8 NBR seal
- 8: M8 x 20 screw

4.1 Leak check

ATTENTION

Dangers to plant and environment during pressure tests.

► Consider possible dangers and adhere to applicable regulations and guidelines.



WARNING

Dangers during pressure tests.

► Consider possible dangers for persons and adhere to applicable regulations and guidelines.

! Carefully read and apply the operating instructions of all components used.

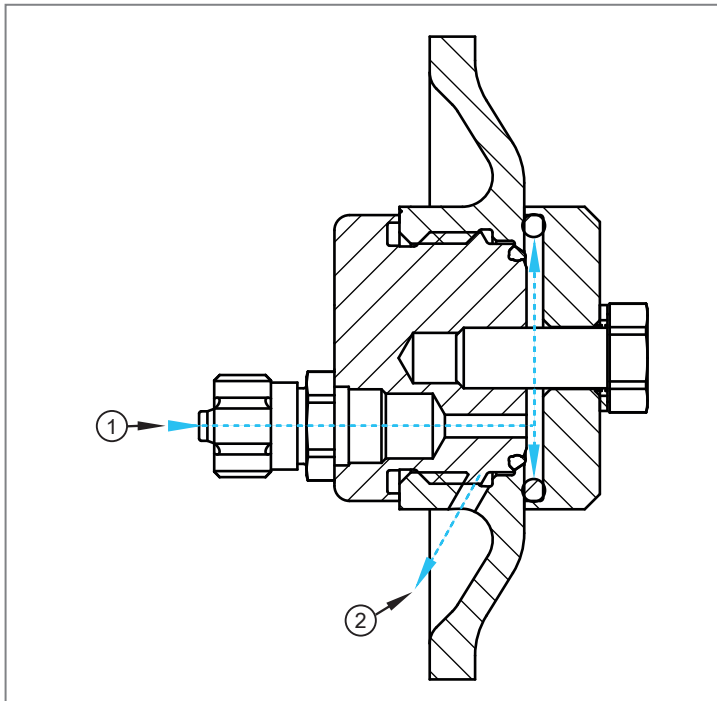


Fig. 1: E30530 installed in a special welding adapter

- 1: Air supply via pneumatic connection
- 2: Air outlet via the leakage port in case of a fault

- ▶ Carry out the leak check.
- ▶ If medium leaks during the check:
- ▷ Replace the welding adapter.

5 Disposal

- ▶ After use dispose of the product or components in an environmentally friendly way in accordance with the applicable national regulations.