



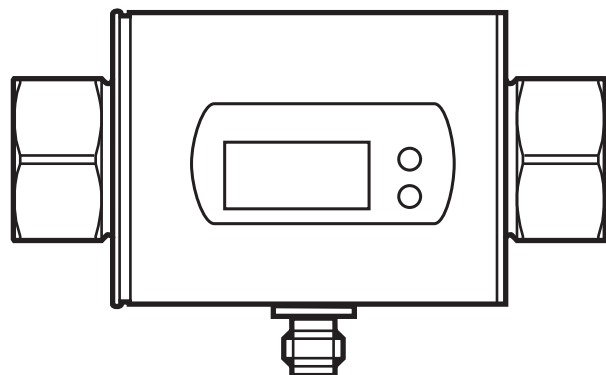
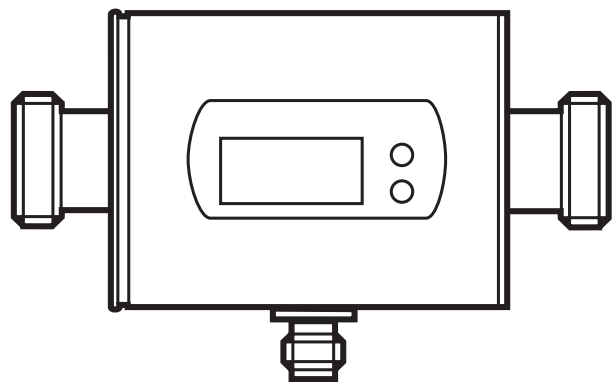
Operating instructions  
Magnetic-inductive flow meter

**SM6x04**

**SM7x04**

**SM8x04**

**UK**



11393459 / 00 11 / 2018

# Contents

1 Preliminary note.....	3
2 Safety instructions .....	3
3 Functions and features .....	4
4 Function.....	5
4.1 Processing of the measured signals.....	5
4.2 Direction of flow .....	5
4.3 Analogue function .....	6
4.4 Measured value damping (dAP).....	7
5 Mounting.....	8
5.1 Recommended installation position.....	8
5.2 Not recommended installation position.....	9
5.3 Grounding.....	10
5.4 Installation in pipes .....	11
6 Electrical connection.....	12
7 Operating and display elements .....	13
8 Menu.....	14
9 Set-up .....	16
10 Parameter setting .....	16
10.1 Parameter setting in general .....	17
10.1.1 Change to the menu "Extended functions" .....	17
10.1.2 Locking / Unlocking .....	17
10.1.3 Timeout.....	18
10.2 Scaling of the analogue value for temperature (OUT1).....	18
10.3 Scaling of the analogue value for volumetric flow (OUT2) .....	18
10.4 User settings (optional).....	18
10.4.1 Determine the standard unit of measurement for volumetric flow ....	18
10.4.2 Determine the standard unit of measurement for temperature.....	18
10.4.3 Standard display .....	18
10.4.4 Measured value damping .....	18
10.4.5 Error behaviour of the outputs .....	19
10.5 Service functions .....	19
10.5.1 Read min/max values .....	19

10.5.2 Restoring the factory settings .....	19
11 Operation .....	19
11.1 Reading the process value .....	19
11.2 Changing the process value display in the RUN mode.....	20
11.3 Reading the set parameters.....	20
12 Troubleshooting .....	21
13 Technical data .....	21
14 Factory setting .....	22

UK

## 1 Preliminary note

- ▶ Instructions
- > Reaction, result
- [...] Designation of keys, buttons or indications
- Cross-reference



Important note

Non-compliance may result in malfunction or interference.



Information

Supplementary note.

### CAUTION

Warning of personal injury.  
Slight reversible injuries may result.

## 2 Safety instructions

- The device described is a subcomponent for integration into a system.
  - The manufacturer of the system is responsible for the safety of the system.
  - The system manufacturer undertakes to perform a risk assessment and to create a documentation in accordance with legal and normative requirements to be provided to the operator and user of the system. This documentation must contain all necessary information and safety instructions for the operator, the user and, if applicable, for any service personnel authorised by the manufacturer of the system.

- Read this document before setting up the product and keep it during the entire service life.
- The product must be suitable for the corresponding applications and environmental conditions without any restrictions.
- Only use the product for its intended purpose (→ Functions and features).
- Only use the product for permissible media (→ Technical data).
- If the operating instructions or the technical data are not adhered to, personal injury and/or damage to property may occur.
- The manufacturer assumes no liability or warranty for any consequences caused by tampering with the product or incorrect use by the operator.
- Installation, electrical connection, set-up, operation and maintenance of the unit must be carried out by qualified personnel authorised by the machine operator.
- Protect units and cables against damage.

### **3 Functions and features**

The unit monitors liquid media. It detects the 2 process categories volumetric flow and medium temperature.

#### **Pressure Equipment Directive (PED)**

The units comply with the Pressure Equipment Directive and are designed and manufactured for group 2 fluids in accordance with the sound engineering practice. Use of group 1 fluids on request.

#### **Application area**

Conductive liquids with the following properties:

- Conductivity:  $\geq 20 \mu\text{S}/\text{cm}$
- Viscosity:  $< 70 \text{ mm}^2/\text{s}$  at  $40 \text{ }^\circ\text{C}$ ;  $< 70 \text{ cSt}$  at  $104 \text{ }^\circ\text{F}$

## 4 Function

- The unit detects the flow based on the magnetic-inductive volumetric flow measuring principle.
- The unit also detects the medium temperature.
- The unit displays the current process value.

### 4.1 Processing of the measured signals

The unit generates 2 output signals according to the parameter settings:

OUT1: Parameter setting **UK**  
- Analogue signal for temperature → 10.2

OUT2: Parameter setting  
- Analogue signal for volumetric flow quantity → 10.3

### 4.2 Direction of flow

In addition to the flow velocity and the volumetric flow quantity, the unit also detects the direction of flow.

An arrow with the text "flow direction" on the unit indicates the positive flow direction.

Flow...	Process value display
corresponds to the marked flow direction	+ (positive)
against the marked flow direction	- (negative)

Only positive process values are processed for the signal output.

### 4.3 Analogue function

- The unit provides an analogue signal that is proportional to the volumetric flow quantity and the medium temperature.
- Within the measuring range the analogue signal is 4...20 mA.
- If the measured value is outside the measuring range or in the event of an internal error, the current signals indicated in Figure 1 are provided.
- The measuring range is scalable:  
 [ASP] determines at which measured value the output signal is 4 mA.  
 [AEP] determines at which measured value the output signal is 20 mA.



Minimum distance between [ASP] and [AEP] = 20 % of the final value of the measuring range.

MAW	Initial value of the measuring range	For non-scaled measuring range (= factory setting)
MEW	Final value of the measuring range	
ASP	Analogue start point	For scaled measuring range
AEP	Analogue end point	

Table 1: Definitions

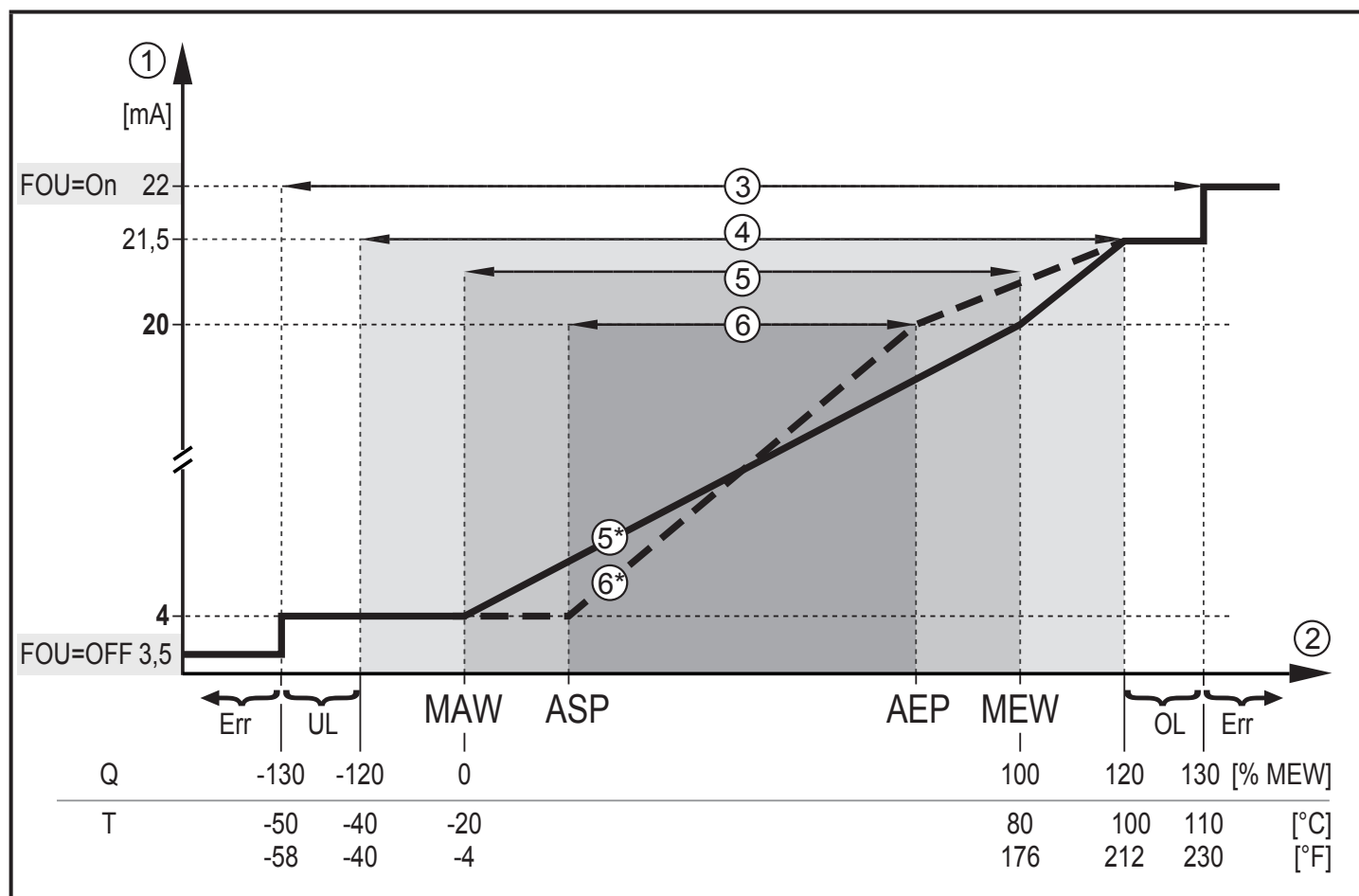


Figure 1: Characteristics of the analogue output according to the standard IEC 60947-5-7.

- Q: Flow (a negative flow value means flow against the marked flow direction)
- T: Temperature
- UL: Below the display range
- OL: Above the display range
- Err: The unit is in the error state
- FOU=On: Default setting at which the analogue signal goes to the upper final value in case of an error.
- FOU=OFF: Default setting at which the analogue signal goes to the lower final value in case of an error.

- |  |  |
|--|--|
| ① Analogue signal                      | ⑤* Analogue signal in the measuring range with factory setting |
| ② Measured value (flow or temperature) | ⑥ Scaled measuring range                                       |
| ③ Detection zone                       | ⑥* Analogue signal for scaled measuring range                  |
| ④ Display range                        |  |
| ⑤ Measuring range                      |  |

#### 4.4 Measured value damping (dAP)

The damping time allows to set after how many seconds the output signal has reached 63 % of the final value if the flow value changes suddenly. The set damping time stabilises the outputs and the display. The signals [UL] and [OL] (→ 12) are defined under consideration of the damping time.

## 5 Mounting

### ⚠ CAUTION

If the medium temperature is above 50 °C (122 °F) parts of the housing can increase in temperature to over 65 °C (149 °F).

- > Risk of burns.
- ▶ Protect the housing against contact with flammable substances and unintentional contact.
- ▶ Attach the supplied warning label to the sensor cable.



- ▶ Ensure that the system is free of pressure during installation.
- ▶ Ensure that no media can leak at the mounting location during installation.
- ▶ Avoid deposits, accumulated gas and air in the pipe system.

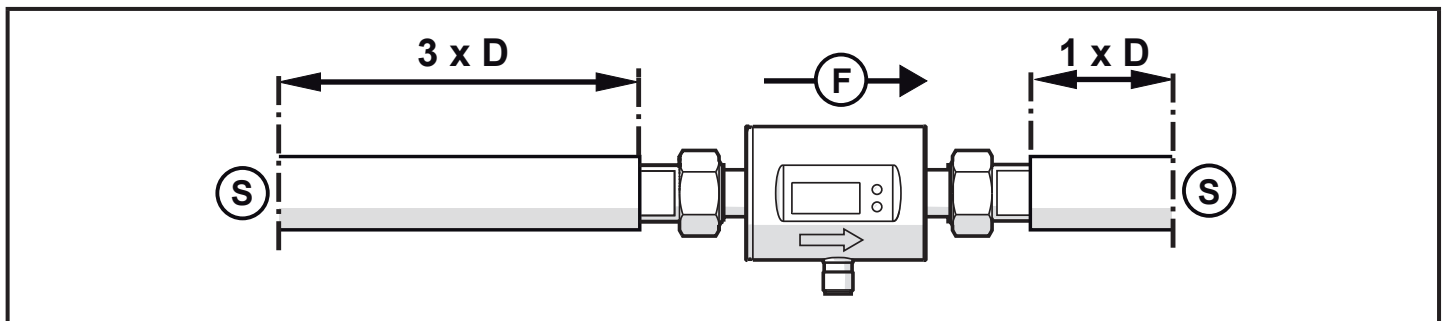


The unit can be installed independently of the orientation if the following is ensured:

- No air bubbles can form in the pipe system.
- The pipes are always completely filled.

### 5.1 Recommended installation position

- ▶ Install the unit so that the measuring pipe is always completely filled.
- ▶ Arrange for inlet and outlet pipe lengths. Disturbances caused by bends, valves, reductions, etc. are compensated for. It applies in particular: no shut-off and control devices are allowed directly in front of the unit.



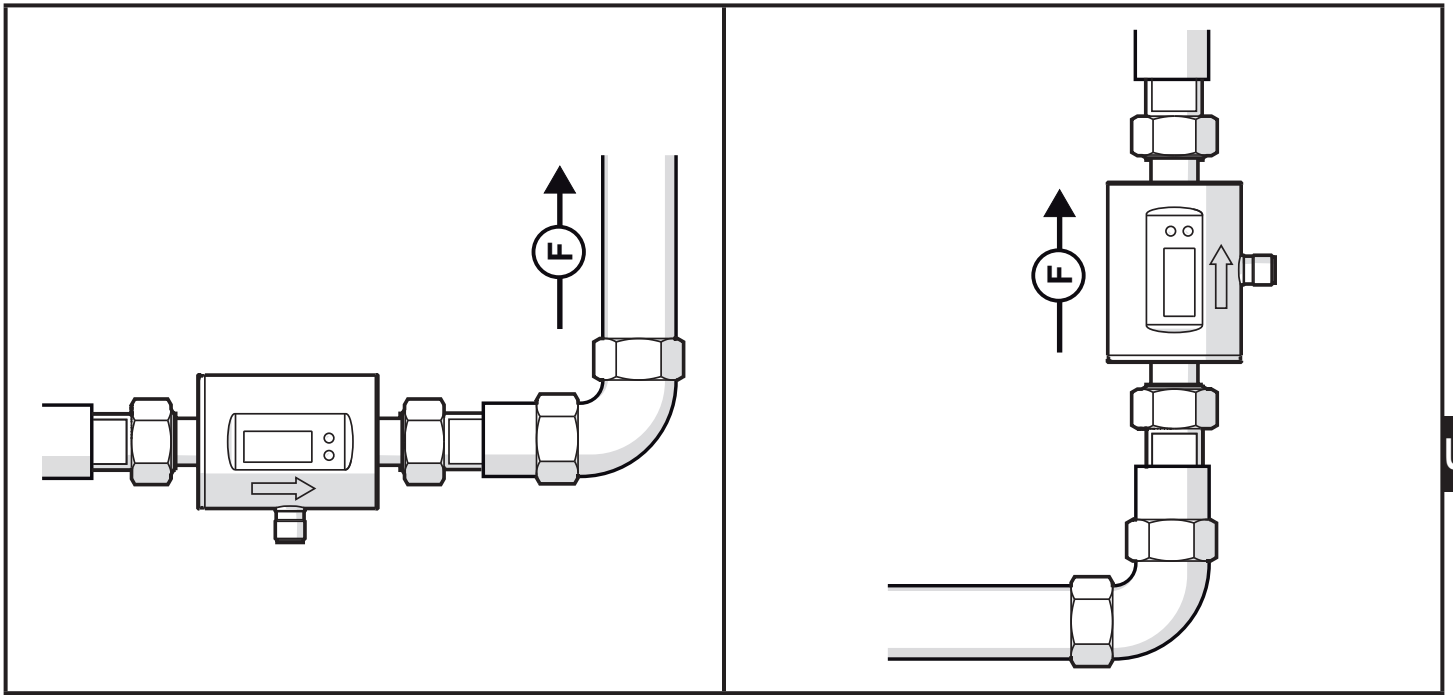
S = disturbance (e.g. shut-off / control device, pump, bends)

D = pipe diameter

F = direction of flow



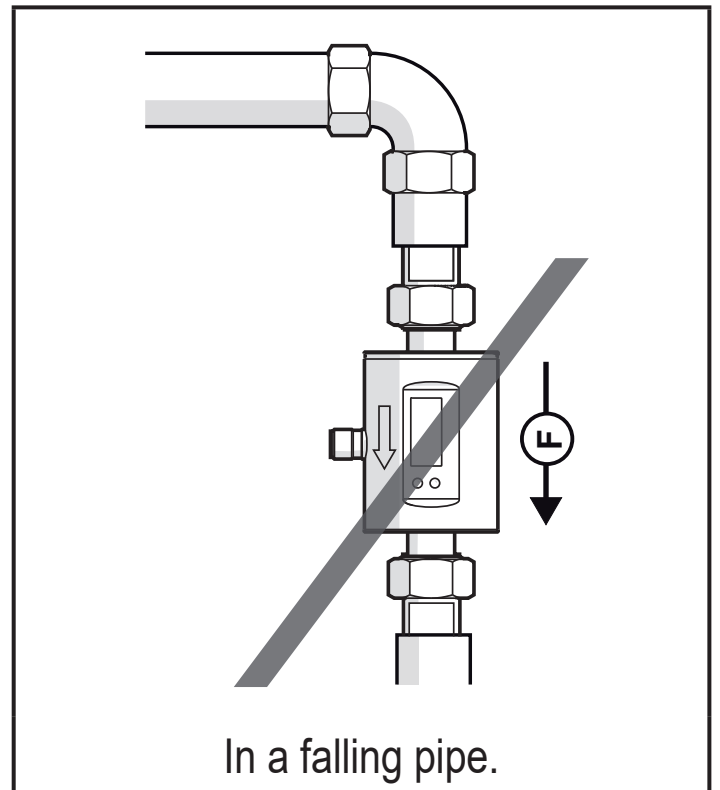
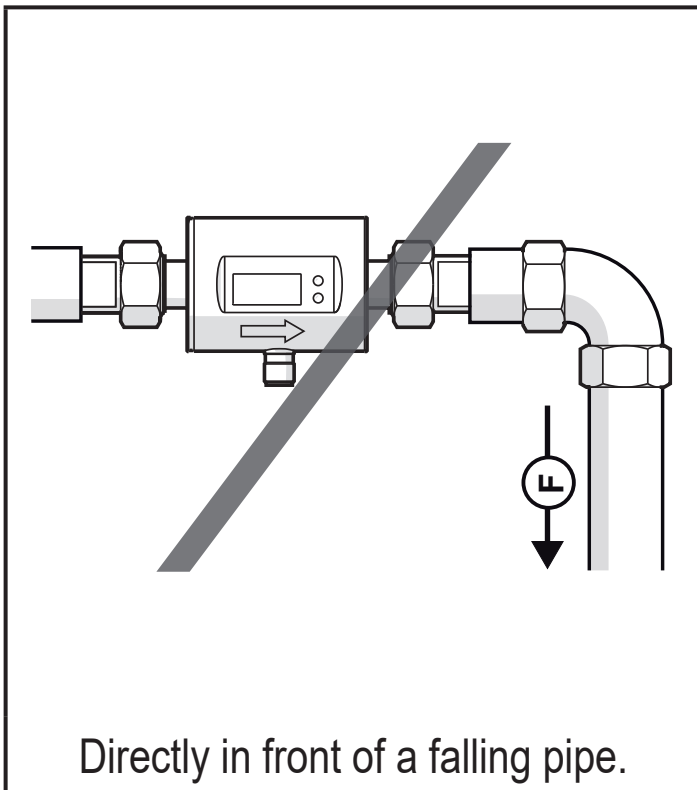
- ▶ Install in front of or in a rising pipe.

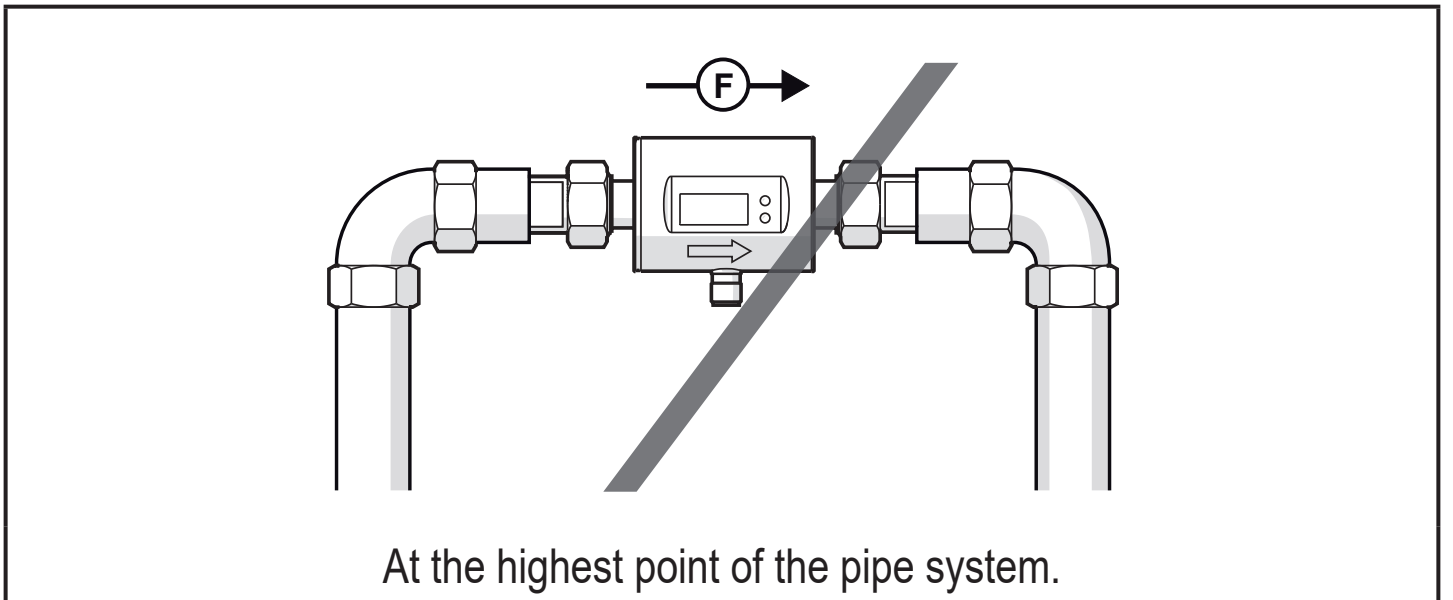
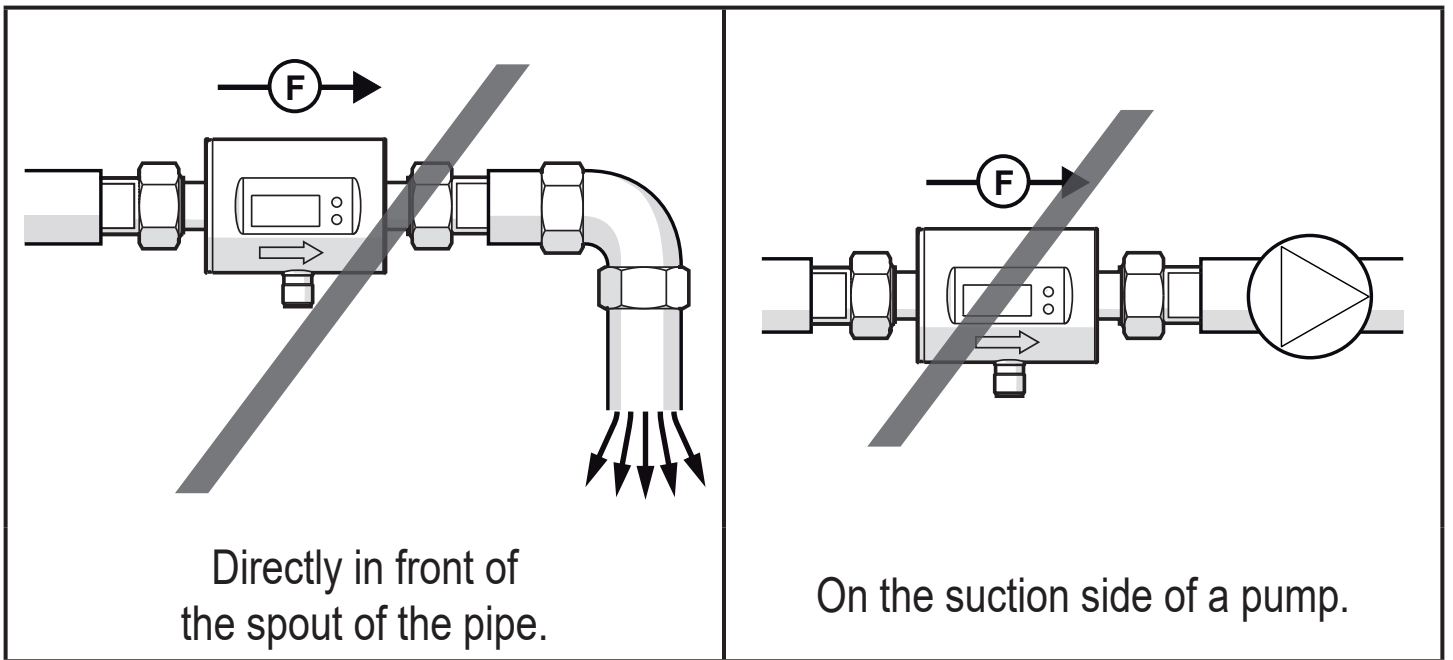


UK

## 5.2 Not recommended installation position

- ▶ Avoid the following installation positions:





F = flow direction

### 5.3 Grounding



If installed in an ungrounded pipe system (e.g. plastic pipes), the unit must be grounded (functional earth).

Ground brackets for the M12 connector are available as accessories

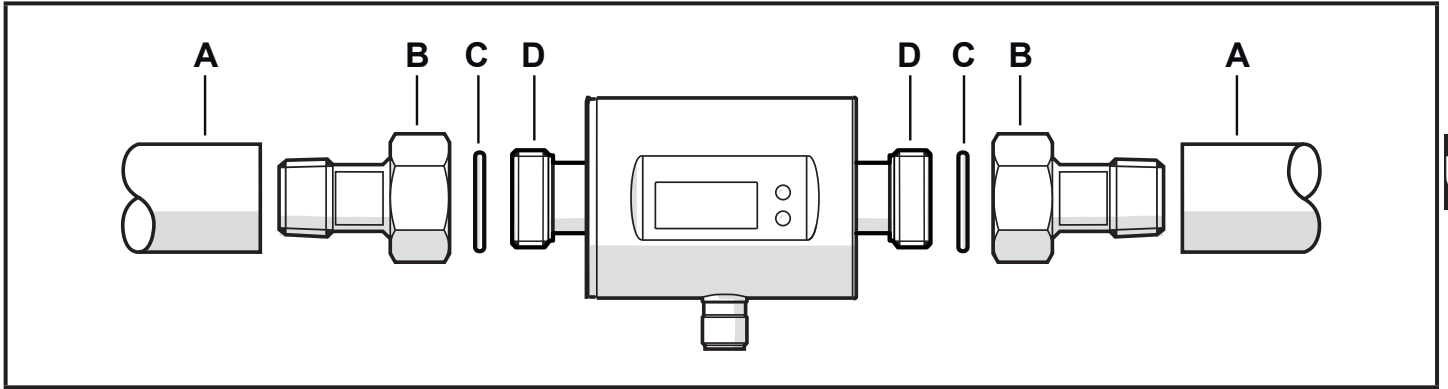
→ [www.ifm.com](http://www.ifm.com).

## 5.4 Installation in pipes

The units with a G thread can be installed in the pipes using adapters.

Information about the available mounting accessories at [www.ifm.com](http://www.ifm.com).

A correct fit of the unit and ingress resistance of the connection are only ensured using ifm adapters.



1. Grease the threads of the process connection, adapter and sensor. Use a lubricating paste which is suitable and approved for the application.
2. Screw the adapter (B) into the pipe (A).
3. Place the seals (C) and install the unit according to the marked flow direction.
4. Screw the adapter (B) with the threads (D) until it is hand-tight.
5. Tighten the two adapters in opposite direction (Tightening torque: 30 Nm).

After installation air bubbles in the system can affect the measurement.

► Corrective measures: Rinse the system after installation for ventilation.



In case of horizontal installation:

As a result of design requirements a small quantity of the medium always remains in the measuring channel after switching off the pump.

## 6 Electrical connection

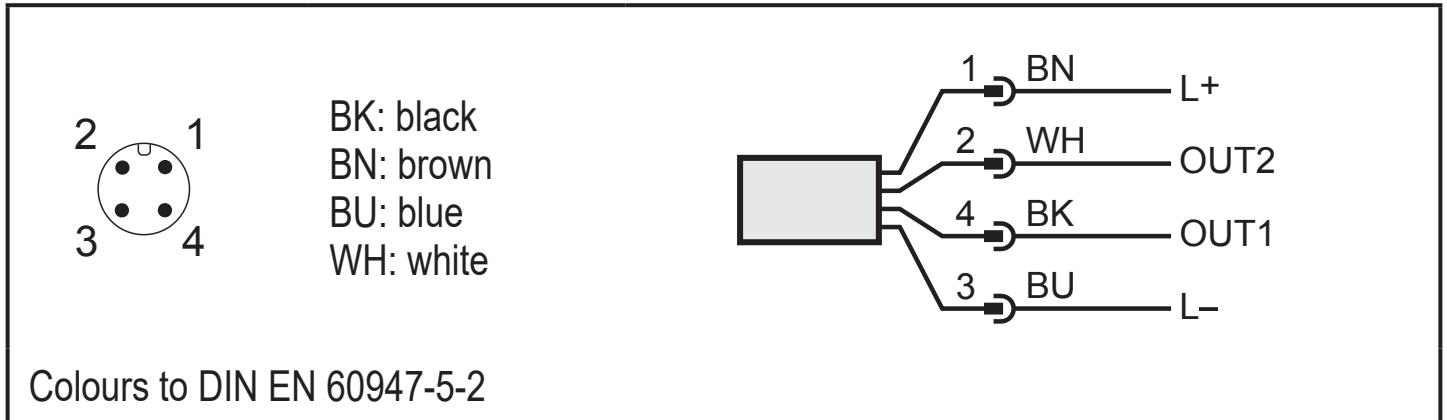


The unit must be connected by a qualified electrician.

The national and international regulations for the installation of electrical equipment must be adhered to.

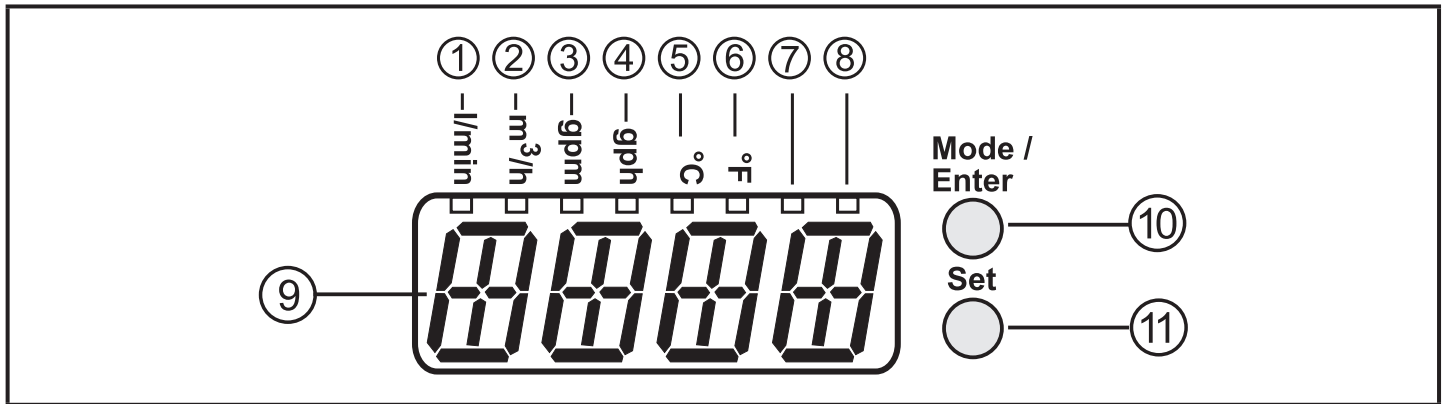
Voltage supply according to EN 50178, SELV, PELV.

- ▶ Disconnect power.
- ▶ Connect the unit as follows:



<b>Pin 1</b>	L+
<b>Pin 3</b>	L-
<b>Pin 4 (OUT1)</b>	Analogue signal for temperature
<b>Pin 2 (OUT2)</b>	Analogue signal for volumetric flow quantity

# 7 Operating and display elements



## 1-8: Indicator LEDs

- LEDs 1-6: Unit of the currently represented numerical value → 11.1 Reading the process value
- LED 7-8: not used

## 9: Alphanumeric display, 4 digits

- Current volumetric flow quantity with setting [SELd] = FLOW
- Current medium temperature with setting [SELd] = TEMP
- Parameters and parameter values

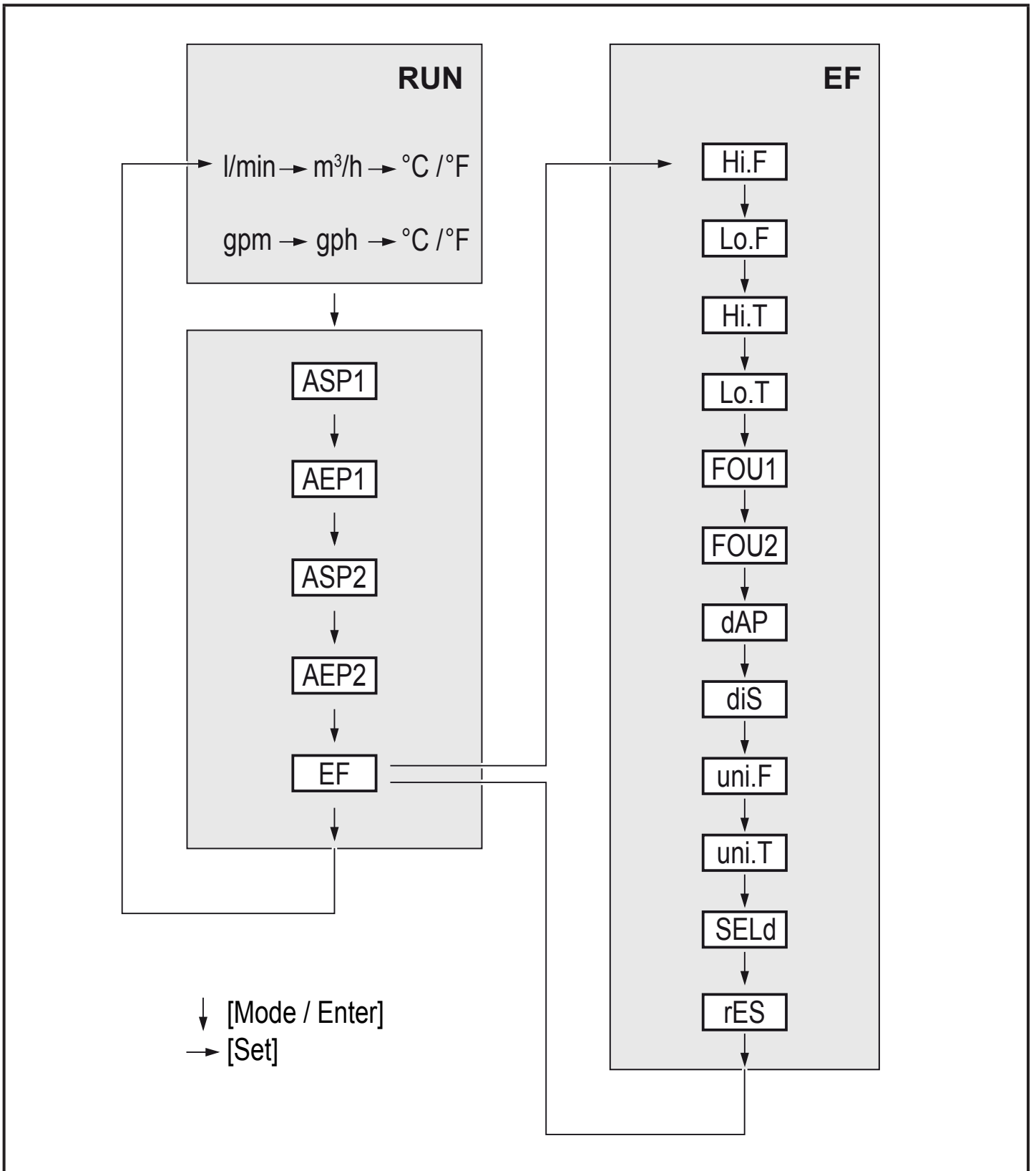
## 10: [Mode/Enter] button

- Change from the RUN mode to the main menu
- Select parameters
- Acknowledge the set parameter value

## 11: [Set] button

- Change parameter values (hold button pressed)
- Change of the display unit in the normal operating mode (RUN mode)

# 8 Menu



Parameters	Explanation and setting options
ASP1	Analogue start point for temperature on OUT1.
AEP1	Analogue end point for temperature on OUT1.
ASP2	Analogue start point for volumetric flow on OUT2.
AEP2	Analogue end point for volumetric flow on OUT2.
EF	Extended functions: opening of the lower menu level.
Hi.F	Maximum value memory for volumetric flow.
Hi.T	Maximum value memory for temperature.
Lo.F	Minimum value memory for volumetric flow.
Lo.T	Minimum value memory for temperature.
FOU1	Behaviour of OUT1 in case of an internal fault: OU, On, OFF (→ 10.4.5).
FOU2	Behaviour of OUT2 in case of an internal fault: OU, On, OFF (→ 10.4.5).
dAP	Measured value damping: damping constant in seconds.
diS	Update rate and orientation of the display: d1...d3, rd1...rd3, OFF (→ 10.4.3).
uni.F	Standard unit of measurement for volumetric flow
uni.T	Standard unit of measurement for temperature
SELd	Standard measured variable of the display: FLOW (volumetric flow value), TEMP (medium temperature).
rES	Restoring the factory settings.

## 9 Set-up

After power on and expiry of the power-on delay time of approx. 5 s the unit is in the RUN mode (= normal operating mode). It carries out its measurement and evaluation functions and generates output signals according to the set parameters.

During the power-on delay time the output signal is at 20 mA.

## 10 Parameter setting

Parameters can be set before installation or during operation.



If you change parameters during operation, this will influence the function.

- ▶ Ensure that there will be no malfunctions in your plant.

During parameter setting the unit remains in the operating mode. It continues to monitor with the existing parameter until the parameter setting has been completed.

### CAUTION


If the medium temperature is above 50 °C (122 °F) parts of the housing can increase in temperature to over 65 °C (149 °F).

> Risk of burns.

- ▶ Do not touch the device with your hands.
- ▶ Use another object (e.g. a ballpoint pen) to carry out settings on the unit.



## 10.1 Parameter setting in general

1. Change from the RUN mode to the main menu and selection of the requested parameter	[Mode/Enter]
2. Acknowledge the set parameter value	[Set]
3. Change the setting mode	[Set] > 5 s
4. Modification of the parameter value - incrementally by pressing once - continuously by keeping the button pressed   To reduce the value: let the display move to the maximum setting value. Then the cycle starts again at the minimum setting value.	[Set]
5. Acknowledge the set parameter value	[Mode/Enter]
6. Return to the RUN mode	> 30 seconds (timeout) or [Mode/Enter] until the RUN mode is reached.

UK

### 10.1.1 Change to the menu "Extended functions"

1. Change from the RUN mode to the main menu and selection of the parameter EF	[Mode/Enter]
2. Change to sub-menu EF	[Set]

### 10.1.2 Locking / Unlocking

The unit can be locked electronically to prevent unintentional settings. On delivery: not locked.

Locking	<ul style="list-style-type: none"> <li>▶ Make sure that the unit is in the normal operating mode.</li> <li>▶ Press [Mode/Enter] and [Set] simultaneously for 10 s until [Loc] is displayed.</li> </ul>
Unlocking	<ul style="list-style-type: none"> <li>▶ Make sure that the unit is in the normal operating mode.</li> <li>▶ Press [Mode/Enter] and [Set] simultaneously for 10 s until [uLoc] is displayed.</li> </ul>

### 10.1.3 Timeout

If no button is pressed for 30 s during parameter setting, the unit returns to the operating mode with unchanged values.

## 10.2 Scaling of the analogue value for temperature (OUT1)

- ▶ Select [ASP1] and set the value at which 4 mA is provided.
- ▶ Select [AEP1] and set the value at which 20 mA is provided.

## 10.3 Scaling of the analogue value for volumetric flow (OUT2)

- ▶ Select [ASP2] and set the value at which 4 mA is provided.
- ▶ Select [AEP2] and set the value at which 20 mA is provided.

## 10.4 User settings (optional)

### 10.4.1 Determine the standard unit of measurement for volumetric flow

- ▶ Select [uni.F] and set the unit of measurement: Lmin, m3h, GPh or GPh.

### 10.4.2 Determine the standard unit of measurement for temperature

- ▶ Select [uni.T] and set the unit of measurement: °C or °F.

### 10.4.3 Standard display

- ▶ Select [SELd] and define the standard unit of measurement  
FLOW = display shows the current volumetric flow value in the standard unit of measurement.  
TEMP = display shows the current medium temperature in the standard unit of measurement.
- ▶ Select [diS] and set the update rate and orientation of the display:  
d1 = update of the measured values every 50 ms.  
d2 = update of the measured values every 200 ms.  
d3 = update of the measured values every 600 ms.  
rd1, rd2, rd3 = display like d1, d2, d3; rotated by 180.  
OFF = the display is switched off in the operating mode. The LEDs remain active even if the display is deactivated. Error messages are displayed even if the display is deactivated.

### 10.4.4 Measured value damping

- ▶ Select [dAP] and set the damping constant in seconds ( $\tau$  value 63 %).

## 10.4.5 Error behaviour of the outputs

- ▶ Select [FOUx] and set the value:
  - On = The analogue signal goes to the upper fault value (→ 4.3).
  - OFF = The analogue value goes to the lower fault value (→ 4.3).
  - OU = The analogue signal corresponds to the measured value.

## 10.5 Service functions

### 10.5.1 Read min/max values

Read minimum or maximum measured values:

- ▶ Select Hi.x or Lo.x.
  - Hi.F = maximum volumetric flow, Lo.F = minimum volumetric flow
  - Hi.T = maximum temperature, Lo.T = minimum temperature

Delete memory:

- ▶ Select Hi.x or Lo.x.
- ▶ Press and hold [Set] until [----] is displayed.
- ▶ Briefly press [Mode/Enter].



It makes sense to delete the memories as soon as the unit operates under normal operating conditions for the first time.

### 10.5.2 Restoring the factory settings

- ▶ Select [rES].
- ▶ Press and hold [Set] until [----] is displayed.
- ▶ Briefly press [Mode/Enter].



→ 14 Factory setting. We recommend taking down your own settings in that table before carrying out a reset.

## 11 Operation

### 11.1 Reading the process value

The LEDs 1-6 signal which process value is currently displayed.

The process value to be displayed as standard (volumetric flow quantity or temperature) can be preset → 10.4.3 Standard display.

Moreover, a standard unit of measurement can be defined (volumetric flow → 10.4.1 and temperature → 10.4.2).

## **11.2 Changing the process value display in the RUN mode**

- ▶ Briefly press [Set] in the RUN mode. Press the pushbutton to move to the next display unit.
- > The unit displays the current measured value in the selected display unit for approx. 30 s, the corresponding indicator LED lights (→ 7).

## **11.3 Reading the set parameters**

- ▶ Briefly press [Mode/Enter] to scroll through the parameters.
- ▶ Briefly press [Set] when the requested parameter is displayed.
- > The unit displays the corresponding parameter value. After about 15 s it returns to the RUN mode.

## 12 Troubleshooting

The unit has self-diagnostic options. It monitors itself automatically during operation.

Warnings and error states are displayed, even when the display is switched off.

Display	Type	Description	Fault correction
Err	Error	Unit faulty / malfunction	▶ Replace the unit.
Err	Error	<ul style="list-style-type: none"> <li>• Flow value &lt; -130 % MEW or &gt; 130 % MEW.</li> <li>• Temperature value &lt; - 50 °C (-58 °F) or &gt; 110 °C (230 °F).</li> </ul>	▶ Check flow range / temperature range.
No display	Error	<ul style="list-style-type: none"> <li>• Supply voltage too low.</li> <li>• Setting [diS] = OFF</li> </ul>	<ul style="list-style-type: none"> <li>▶ Check the supply voltage.</li> <li>▶ Change the setting [diS] → 10.4.3</li> </ul>
Loc	Warning	Setting pushbuttons on the unit locked, parameter change rejected.	▶ Unlock the unit → 10.1.2
UL	Warning	Below the display range. <ul style="list-style-type: none"> <li>• Current value between -130 % ... -120 % MEW</li> <li>• Temperature value between -50...-40 °C (-58...-40 °F).</li> </ul>	▶ Check flow range / temperature range.
OL	Warning	Display range exceeded. <ul style="list-style-type: none"> <li>• Current value between 120 % ... 130 % MEW</li> <li>• Temperature value between 100...110 °C (212...230 °F).</li> </ul>	▶ Check flow range / temperature range.

MEW = final value of the measuring range

## 13 Technical data

Technical data and scale drawing at [www.ifm.com](http://www.ifm.com).

UK

## 14 Factory setting

Parameter	Factory setting	User setting
<b>ASP1</b> (TEMP)	-20 °C	
<b>AEP1</b> (TEMP)	80 °C	
<b>ASP2</b> (FLOW)	MAW	
<b>AEP2</b> (FLOW)	MEW	
<b>FOU1</b>	OFF	
<b>FOU2</b>	OFF	
<b>dAP</b>	3 s	
<b>diS</b>	d2	
<b>uni.F</b>	SMxx04 : l/min SMx404 : l/min SMx604 : gpm	
<b>uni.T</b>	SMxx04 : °C SMx404 : °C SMx604 : °F	
<b>SELd</b>	FLOW	

MAW = Initial value of the measuring range

MEW = Final value of the measuring range

Technical data, approvals, accessories and further information at  
[www.ifm.com](http://www.ifm.com).