



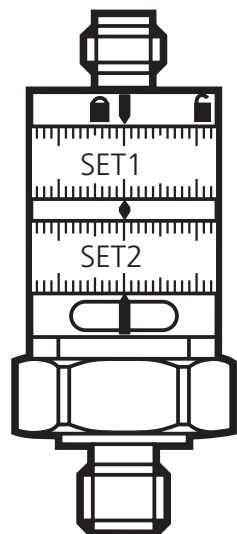
CE

Operating Instructions
Electronic pressure monitor

PK752x

UK

707882 / 00 03 / 2020





Contents

1 Preliminary note.....	2
1.1 Symbols used	2
2 Safety instructions	2
3 Function and features	4
4 Installation.....	4
5 Electrical connection.....	4
6 Setting / Operation.....	5

1 Preliminary note

1.1 Symbols used

- ▶ Instruction
- > Reaction, result
- [...] Designation of keys, buttons or indications
- Cross-reference
-  Important note
Non-compliance may result in malfunction or interference
-  Information
Supplementary note

2 Safety instructions

- The device described is a subcomponent for integration into a system.
 - The manufacturer is responsible for the safety of the system.
 - The system manufacturer undertakes to perform a risk assessment and to create documentation in accordance with legal and normative requirements to be provided to the operator and user of the system. This documentation must contain all necessary information and safety instructions for the operator, the user and, if applicable, for any service personnel authorised by the manufacturer of the system.
- Read this document before setting up the product and keep it during the entire service life.
- The product must be suitable for the corresponding applications and environmental conditions without any restrictions.
- Only use the product for its intended purpose (→ Functions and features).
- Only use the product for permissible media (→ Technical data).
- If the operating instructions or the technical data are not adhered to, personal injury and/or damage to property may occur.
- The manufacturer assumes no liability or warranty for any consequences caused by tampering with the product or incorrect use by the operator.
- Installation, electrical connection, set-up, programming, configuration, operation and maintenance of the product must be carried out by personnel qualified and authorised for the respective activity.
- Protect units and cables against damage.

3 Function and features

The pressure monitor detects the system pressure and generates two output signals (2 NO with independently adjustable switch points:

- In case of increasing pressure OUT1 (OUT2) closes when the Set1 (Set2) value is reached.
- In case of decreasing pressure OUT1 (OUT2) opens when the value „Set1 (Set2) minus hysteresis“ is reached.

The hysteresis is fixed (2% of value of measuring range).

Applications

Type of pressure: relative pressure

Order no.	Measuring range		Permissible overload pressure		Bursting pressure	
	bar	PSI	bar	PSI	bar	PSI
PK7520	0...400	0...5 800	600	8 700	1 600	23 200
PK7521	0...250	0...3 625	400	5 800	1 000	14 500
PK7522	0...100	0...1 450	200	2 900	1 000	14 500
PK7523	0...25	0...363	60	870	500	7523
PK7524	0...10	0...145	25	362	300	4 350



Avoid static and dynamic overpressure exceeding the given overload pressure.

Even if the bursting pressure is exceeded only for a short time the unit can be destroyed (danger of injuries)!



If the cable length exceeds 30 m or if used outside buildings, there is a risk of overvoltage pulses from external sources. We recommend to use the unit in protected operating environments and to limit overvoltage pulses to max. 500 V.

4 Installation



Before mounting and removing the sensor, make sure that no pressure is applied to the system.

5 Electrical connection

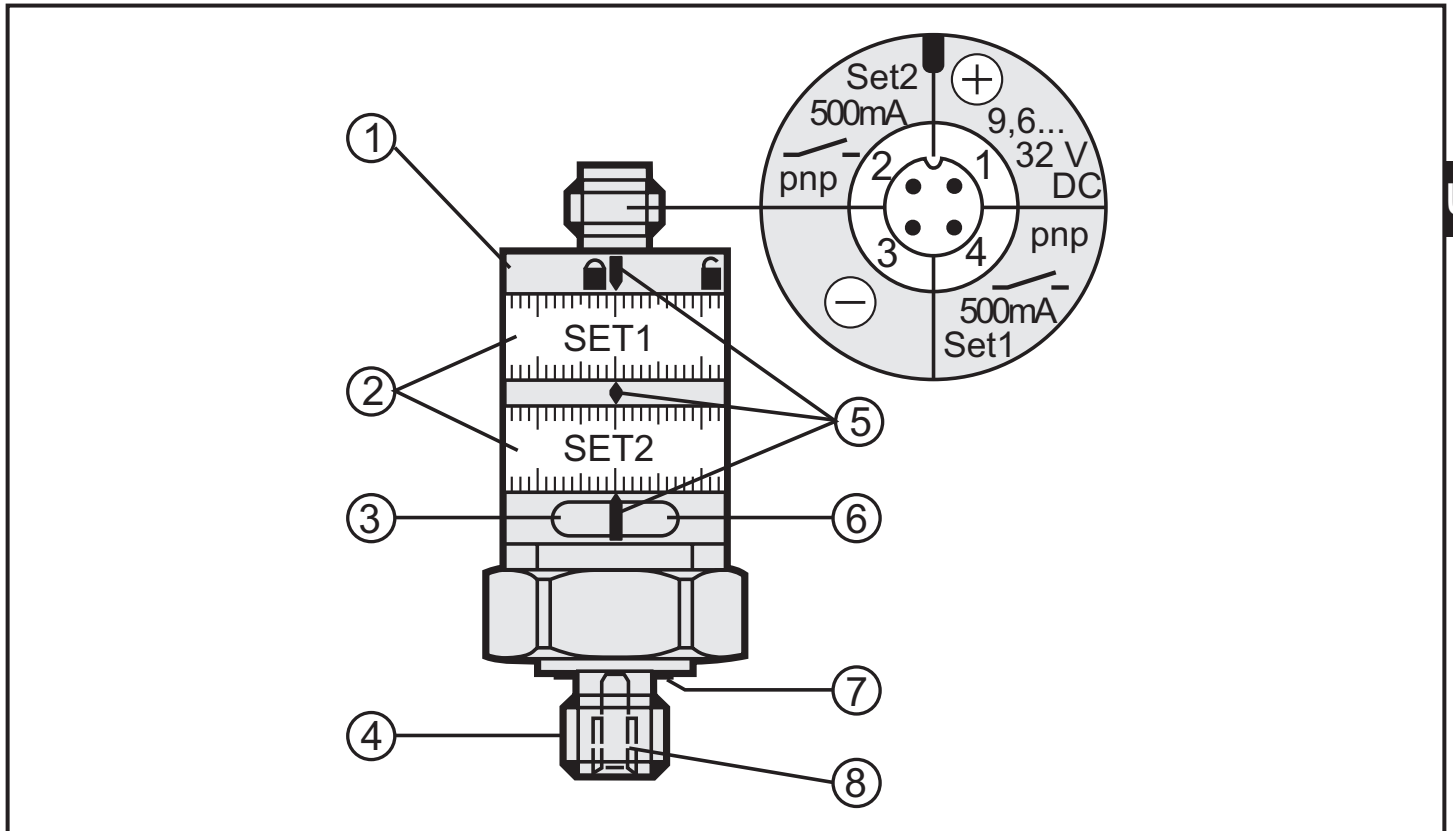


The unit must be connected by a suitably qualified electrician.

Voltage supply to EN50178, SELV, PELV.

- ▶ Disconnect power before connecting the unit.

6 Setting / Operation



Pin 4 = OUT1 / Pin 2 = OUT2

- 1: locking ring
- 2: setting rings (manually adjustable after unlocking)
- 3: yellow LED: Set1 value reached, OUT1 = ON
- 4: process connection G $\frac{1}{4}$ A; tightening torque 25 Nm
- 5: setting marks
- 6: yellow LED: Set2 value reached, OUT2 = ON
- 7: sealing FPM / DIN 3869-14
- 8: internal thread M5

- To obtain the setting accuracy: Set the rings to the minimum value, then set the requested value.

More information at www.ifm.com