

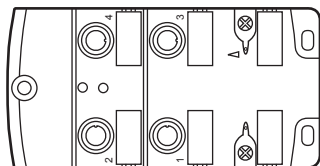


Operating instructions
AS-i CompactLineM12
Splitter box

UK

AC2413
AC2453

80011083/01 03/2019



Contents

1 Preliminary note.....	3
2 Safety instructions	3
3 Functions and features	3
4 Installation.....	4
5 Electrical connection.....	6
6 Pin connection	6
7 Operating and display elements	6
8 Maintenance, repair and disposal.....	7
9 Technical data.....	7
10 Scale drawing	7

1 Preliminary note

► Instruction

> Reaction, result



Important note

Non-compliance can result in malfunction or interference.



Information

Supplementary note.

2 Safety instructions

UK

- Please read the operating instructions prior to set-up of the device. Ensure that the product is suitable for your application without any restrictions.
- The unit conforms to the relevant regulations and EC directives.
- Improper or non-intended use may lead to malfunctions of the unit or to unwanted effects in your application.
- Installation, electrical connection, set-up, operation and maintenance of the unit must only be carried out by qualified personnel authorised by the machine operator.

3 Functions and features

- The passive CompactLine module serves as splitter box for the connection of intelligent sensors/actuators and need not be addressed.
- AC2453: Metal parts from stainless steel

4 Installation



▶ Disconnect the system from power before installation.



▶ For installation choose a flat mounting surface.
The entire bottom of the module must lie flat on the mounting surface.

- ▶ Screw the lower part onto the mounting surface using M4 screws and washers (1). Tightening torque 1.8 Nm.
- ▶ Carefully place the yellow AS-i flat cable into the profile slot.
- ▶ Carefully place the black AS-i flat cable for external voltage supply into the profile slot.
- ▶ Position the upper part and fix it using the supplied M3.5 screws (2).
Tightening torque 1.2...1.4 Nm.
- ▶ Fix the module onto the mounting surface using M4 or M5 screws and washers (4). Tightening torque max. 1.8 Nm.
Use stainless steel sleeve (E70402)* for installation in case of high mechanical stress.
- ▶ Connect the plugs of the sensors (5) to the M12 sockets.
Tightening torque 0.8...1.5 Nm.
- ▶ Cover the unused sockets with protective caps (E73004)*.
Tightening torque 0.6...0.8 Nm.
- ▶ The flat cable end seal (E70413)* must be used if the module is at the end of the cable line.

*to be ordered separately

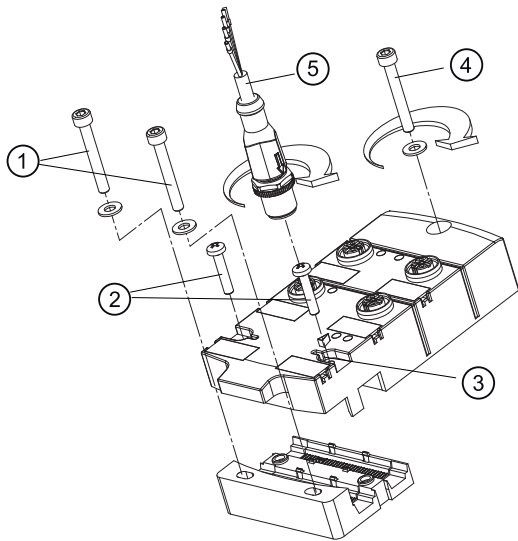
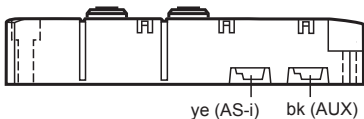


In case of interference coupling to the sensor cables or the black flat cable (24 V DC auxiliary supply) the use of the functional earth springs can improve the EMC.

Requirement:

an interference-free and low-resistance connection to the machine ground.

- ▶ If necessary, you can ground the module via the functional earth springs (5).



- 1: M4 screws and washers (not supplied with the device). Tightening torque 1.8 Nm.
- 2: M3.5 screws supplied. Tightening torque 1.2...1.4 Nm.
- 3: Functional earth springs
- 4: M4 / M5 screws and washers (not supplied with the device).
Tightening torque max. 1.8 Nm.
- 5: M12 connector. Tightening torque 0.8...1.5 Nm.



Note the maximum tightening torque of the connection cable.

5 Electrical connection



The unit must be connected by a qualified electrician.

The national and international regulations for the installation of electrical equipment must be adhered to.



Intended for connection to class 2 (cULus class 2) circuits only.

▶ Disconnect power.

▶ Connect the unit.

6 Pin connection

1: AS-i +

2: 0 V

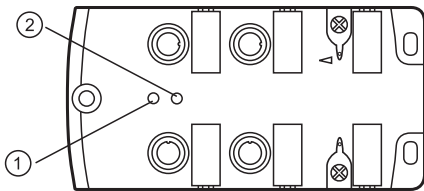
3: AS-i -

4: 24 V

5: functional earth (FE)



7 Operating and display elements



1: LED AS-i

2: LED AUX

LED AS-i green lights: AS-i voltage supply ok

LED AUX green lights: AUX voltage supply ok

8 Maintenance, repair and disposal

The operation of the unit is maintenance-free. Always exchange the upper part and lower part at the same time.

After use dispose of the unit in an environmentally friendly way in accordance with the applicable national regulations.

9 Technical data

Technical data and further information at www.ifm.com.

10 Scale drawing

