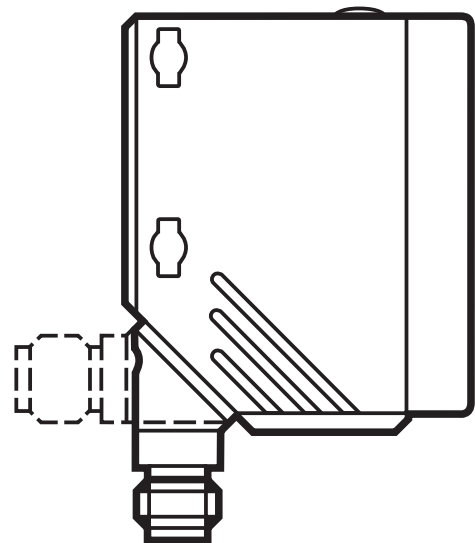


CE

Operating instructions
Optical distance sensor
O5D10x

UK

11457730 / 00 04 / 2019



Contents

1 Preliminary note.....	3
1.1 Symbols used	3
1.2 Warning signs used	3
2 Safety instructions	3
3 Functions and features	5
3.1 Applications	5
4 Installation.....	5
4.1 Installation conditions	5
5 Operating and display elements	5
6 Electrical connection.....	6
7 Settings.....	7
7.1 The sensor is to switch when the object is detected.....	7
8 IO-Link	7
8.1 General information	7
8.2 Device-specific information.....	7
8.3 Parameter setting tools.....	8
9 Operation	8
9.1 Electronic lock.....	8
9.2 Fault indication	9
10 Maintenance, repair and disposal.....	9

1 Preliminary note

1.1 Symbols used

- ▶ Instruction
- > Reaction, result
- [...] Designation of pushbuttons, buttons or indications
- Cross-reference



Important note

Non-compliance can result in malfunctions or interference.

UK

1.2 Warning signs used

WARNING

Warning of serious personal injury.

Death or serious irreversible injuries may result.

2 Safety instructions

- The device described is a subcomponent for integration into a system.
 - The manufacturer of the system is responsible for the safety of the system.
 - The system manufacturer undertakes to perform a risk assessment and to create a documentation in accordance with legal and normative requirements to be provided to the operator and user of the system. This documentation must contain all necessary information and safety instructions for the operator, the user and, if applicable, for any service personnel authorised by the manufacturer of the system.
- Read this document before setting up the product and keep it during the entire service life.
- The product must be suitable for the corresponding applications and environmental conditions without any restrictions.
- Only use the product for its intended purpose (→ Functions and features).
- If the operating instructions or the technical data are not adhered to, personal injury and/or damage to property may occur.
- The manufacturer assumes no liability or warranty for any consequences caused by tampering with the product or incorrect use by the operator.

- Installation, electrical connection, set-up, operation and maintenance of the unit must be carried out by qualified personnel authorised by the machine operator.

Protect units and cables against damage.

⚠ WARNING

Visible laser light; laser protection class 2.

Use of controls or adjustments other than those specified herein may result in hazardous radiation exposure. Damage to the retina is possible.

- ▶ Do not stare into the laser beam!
- ▶ Apply the enclosed labels (laser warning) in the immediate vicinity of the unit.
- ▶ Adhere to the caution and warning notes on the product label.
- ▶ Use the enclosed label for the power supply cable.
- ▶ EN/IEC 60825-1 : 2007 and EN/IEC 60825-1 : 2014 complies with 21 CFR 1040 except for deviations pursuant to Laser Notice No. 50, dated June 2007

Label for supply cable

ATTACH TO CABLE



ifm electronic gmbh D-45128 Essen

WARNING:

CLASS 2 LASER PRODUCT
DO NOT STARE INTO BEAM
- AVOID EXPOSURE
- UNPLUG CONNECTOR TO
EXTINGUISH LASER BEAM

Product label

CAUTION
LASER RADIATION
DO NOT STARE INTO BEAM

ATTENTION
LUMIÈRE LASER
NE PAS REGARDER LE FAISCEAU

max. POWER / PUISSANCE ≤ 4,0 mW
λ = 650 nm
PULSE / IMPULSION ≤ 1,3 ns

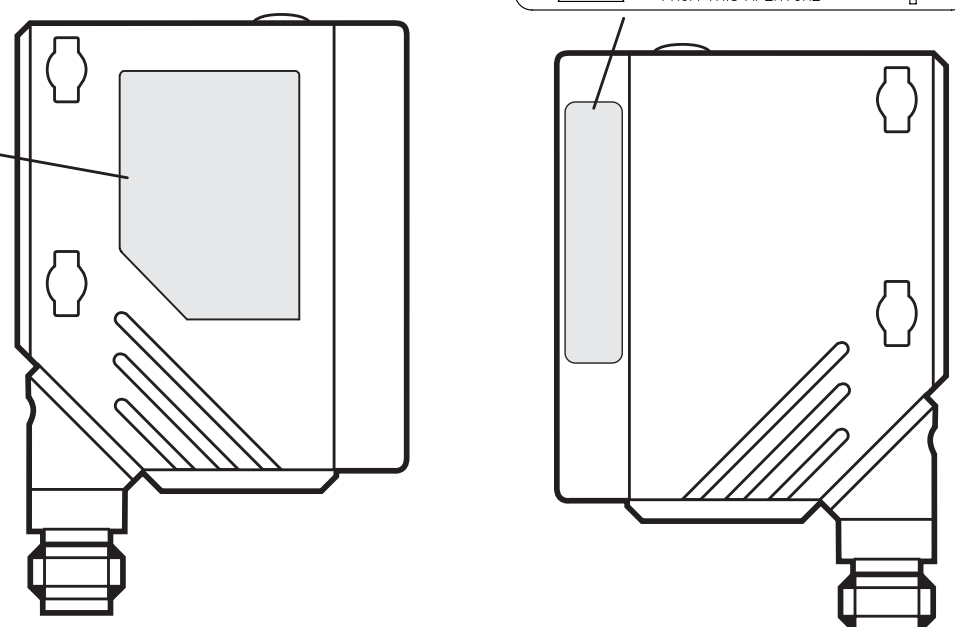
AVOID EXPOSURE
LASER RADIATION EMITTED
FROM THIS APERTURE

→

ÉVITER TOUTE EXPOSITION
RAYONNEMENT LASER ÉMIS
DE CETTE OUVERTURE

CLASS 2 LASER PRODUCT
APPAREIL LASER DE CLASS 2

21 CFR PART 1040
IEC 60825-1:2014



3 Functions and features

The unit is used as an optical distance sensor.

3.1 Applications

- The optical distance sensor measures distances between 0.03 and 2 m.
- It has a background suppression of up to 20 m.
- The switching outputs are complimentary.



The distance between the sensor and the background must be limited to max. 20 m by the customer. Otherwise the measured value may be ambiguous. → 4.1 Installation conditions

UK

4 Installation

4.1 Installation conditions

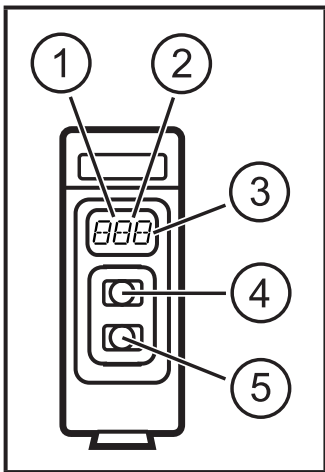
- ▶ Install the unit so that the object to be detected is within a measuring range of 0.03...2 m.

Any object between the set switch point and a distance of 20 m from the sensor is suppressed.



Reflecting objects in the direct beam path of the sensor - also in the range > 20 m – are to be avoided by the customer. Otherwise the measured values may be ambiguous.

5 Operating and display elements



- 1: LED green: operation
- 2: LED yellow: switching status
- 3: 3-digit alphanumeric display
- 4: Range +
- 5: Range -

6 Electrical connection



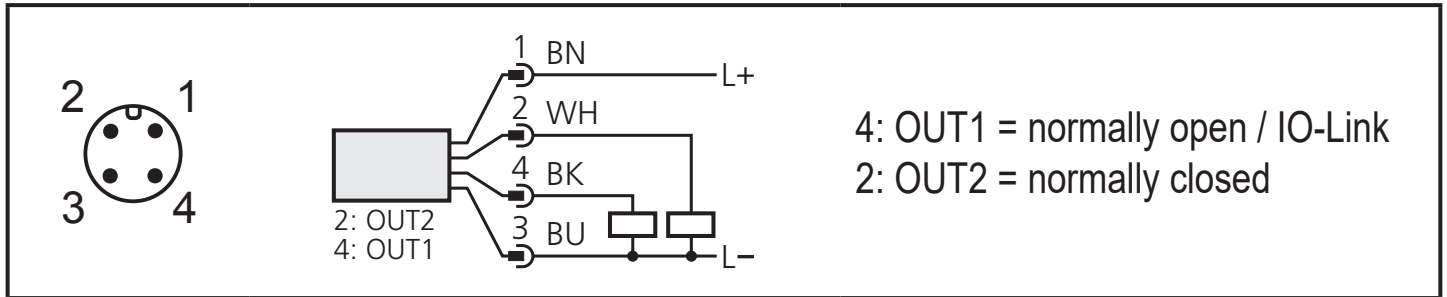
The unit must be connected by a qualified electrician.

- ▶ The national and international regulations for the installation of electrical equipment must be adhered to.
- ▶ Voltage supply according to EN 50178.

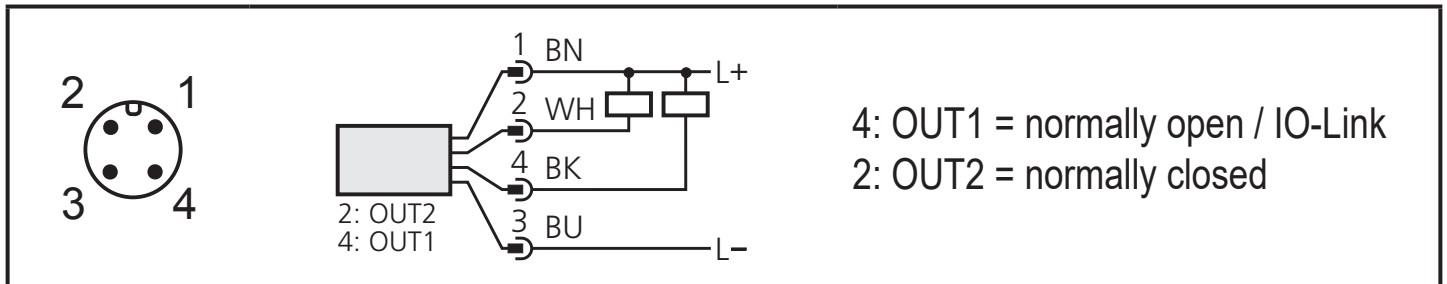
▶ Disconnect power.

▶ Connect the unit as follows:

DC PNP



DC NPN



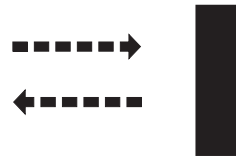
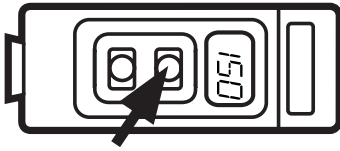
Core colours of ifm sockets:

1 = BN (brown), 2 = WH (white), 3 = BU (blue), 4 = BK (black)

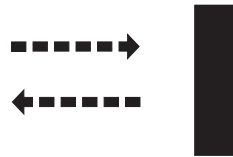
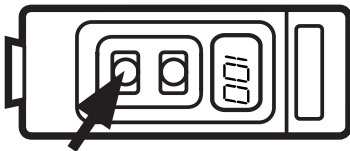
7 Settings

7.1 The sensor is to switch when the object is detected

- ▶ Position the object.



- ▶ Press [+] to increase the range.
 - > The set distance value is shown flashing in the display.
 - > The yellow LED lights when the object is detected.



- ▶ Press [-] to decrease the range.
 - > The set distance value is shown flashing in the display.
 - > During operation, the currently detected distance value is shown in the display.

8 IO-Link

8.1 General information

This unit has an IO-Link communication interface which requires an IO-Link-capable module (IO-Link master) for operation.

The IO-Link interface enables direct access to the sensor values and parameters and provides the possibility to set the parameters of the unit during operation.

In addition communication is possible via a point-to-point connection with a USB adapter cable.

You will find more detailed information about IO-Link at www.ifm.com.

8.2 Device-specific information

You will find the IODDs necessary for the configuration of the IO-Link unit and detailed information about sensor values, diagnostic information and parameters in the overview table at www.ifm.com.

UK

8.3 Parameter setting tools

You will find all necessary information about the required IO-Link hardware and software at www.ifm.com.

9 Operation

- ▶ Check whether the unit operates correctly.
- > The LED lights when the switching output is switched.
- > The detected distance value is shown in the display.

9.1 Electronic lock

The unit can be locked electronically to prevent unintentional settings. On delivery the unit is not locked.

Locking

- ▶ Make sure that the unit is in the normal operating mode.
- ▶ Keep **[+]** + **[-]** pressed, until **[Loc]** is displayed.
- > The unit is locked.

Unlocking

- ▶ Keep **[+]** + **[-]** pressed, until **[uLo]** is displayed.
- > The unit is unlocked.

9.2 Fault indication

Display	Possible cause	Switching output	
		[Hno]	[Hnc]
[++]	Too much light, e.g. reflective surfaces	ON	OFF
[--]	Not enough light, no object	OFF	ON
[nEA]	Object to be measured outside the measuring range < 30 mm	ON	OFF
[FAr]	Object to be measured outside the measuring range > 2500 mm	OFF	ON
[ERP]	Plausibility (e.g. object too fast)	unchanged	unchanged
[SC]	Short circuit at the switching output		

UK

10 Maintenance, repair and disposal

- ▶ Keep the front pane of the sensor free from soiling.
- ▶ For cleaning do not use any solvents or cleaning agents which could damage the plastic material.
- ▶ Do not try to open the module enclosure. There are no user-serviceable components inside.