



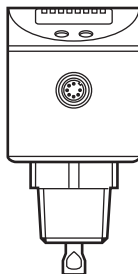
CE

Operating instructions
Electronic level sensor

LR8300

UK

80287801 / 00 01 / 2022



Contents

1 Preliminary note.....	4
1.1 Symbols used.....	4
2 Safety instructions.....	4
3 Items supplied.....	5
4 Functions and features.....	6
4.1 Applications.....	6
4.1.1 Restriction of the application area.....	6
5 Function.....	7
5.1 Measuring principle.....	7
5.2 Features of the unit.....	8
5.2.1 Easy set-up.....	8
5.2.2 Display functions.....	8
5.2.3 Switching functions.....	8
5.2.4 Offset for indicating the real level in the tank.....	9
5.2.5 Probes for different tank heights.....	9
5.2.6 Safe state.....	9
5.2.7 Binary mode.....	10
5.3 IO-Link.....	11
6 Installation.....	11
6.1 Installation location / environment.....	11
6.2 Installation of the probe.....	14
6.3 Shortening of the probe.....	15
6.4 Installation of the unit.....	15
6.4.1 Installation in closed metal tanks (without flange plate).....	16
6.4.2 Installation in closed metal tanks (with flange plate).....	16
6.4.3 Installation in open tanks.....	17
6.4.4 Installation in plastic tanks.....	18
6.5 Alignment of the sensor housing.....	18
7 Electrical connection.....	19
8 Operating and display elements.....	20
9 Menu.....	21
9.1 Menu structure / switching mode (bin = OFF).....	21
9.2 Menu structure / binary mode (bin = on).....	22
9.3 Explanation of the menu.....	23

10	Parameter setting	24
10.1	Parameter setting in general	24
10.2	Probe length (unit on delivery).....	26
10.3	Configuration of the display	26
10.4	Selecting the evaluation mode	26
10.5	Offset setting.....	27
10.6	Setting of output signals	27
10.6.1	Setting of the output function.....	27
10.6.2	Set the switching limits (hysteresis function).....	27
10.6.3	Set the switching limits (window function)	27
10.6.4	Setting of the switch-off delay.....	28
10.6.5	Response of the outputs in case of a fault	28
10.6.6	Setting of the delay time after signal loss	28
10.7	Reset all parameters to factory setting	28
10.8	Changing the probe length	29
11	Operation	29
11.1	Operating indicators	29
11.2	Read the set parameters	29
11.3	Changing the display unit in the Run mode	30
11.4	Error indications.....	30
11.5	Output response in different operating states	31
12	Technical data and scale drawing.....	31
12.1	Setting ranges	31
13	Servicing.....	32
14	Applications.....	33
14.1	Storage tanks / level monitoring	33
14.2	Storage tank	34
14.3	Pumping station.....	35
15	Factory setting	36

1 Preliminary note

1.1 Symbols used

- ▶ Instructions
- > Reaction, result
- [...] Designation of keys, buttons or indications
- Cross-reference



Important note

Non-compliance may result in malfunction or interference.



Information

Supplementary note.

2 Safety instructions

- The device described is a subcomponent for integration into a system.
 - The manufacturer of the system is responsible for the safety of the system.
 - The system manufacturer undertakes to perform a risk assessment and to create a documentation in accordance with legal and normative requirements to be provided to the operator and user of the system. This documentation must contain all necessary information and safety instructions for the operator, the user and, if applicable, for any service personnel authorised by the manufacturer of the system.
- Read this document before setting up the product and keep it during the entire service life.
- The product must be suitable for the corresponding applications and environmental conditions without any restrictions.
- Only use the product for its intended purpose (→ Functions and features).
- Only use the product for permissible media (→ Technical data).
- If the operating instructions or the technical data are not adhered to, personal injury and/or damage to property may occur.
- The manufacturer assumes no liability or warranty for any consequences caused by tampering with the product or incorrect use by the operator.
- Installation, electrical connection, set-up, operation and maintenance of the unit must be carried out by qualified personnel authorised by the machine operator.

- Installation, electrical connection, set-up, programming, configuration, operation and maintenance of the product must be carried out by personnel qualified and authorised for the respective activity.
- Protect units and cables against damage.
- The unit may cause radio interference in domestic areas. If interference occurs, the user must take appropriate remedial actions.
- The unit complies with the standard EN 61000-6-4 and is a class A product. The radiated energy of the microwaves is, for example, much below that of mobile phones. According to the current state of science the operation of the unit can be classified to be harmless to human health.

3 Items supplied

- Level sensor LR8300
- Operating instructions

In addition, the following is necessary for installation and operation:

- 1 rod
- mounting material (if necessary, a launching plate → 4.1)

The following components are available as accessories:

Rods	Length (cm / inch)	Order number
	15 / 5.9	E43225
	24 / 9.5	E43203
	30 / 11.8	E43226
	45 / 17.7	E43204
	50 / 19.7	E43227
	70 / 27.6	E43205
	100 / 39.4	E43207
	120 / 47.2	E43208
	140 / 55.1	E43209
	160 / 63.0	E43210
Flange plate	Size / process connection	Order number
	73 - 90 / ¾" NPT	E43206



Only use rods from ifm electronic gmbh. The optimum function is not ensured when using components from other manufacturers.

4 Functions and features

The unit continuously detects the level in tanks and generates output signals according to the parameter settings.

4 switching outputs are available. They can be set separately.



For correct function the unit needs a large enough metal launching plate. It is necessary for transferring the microwave pulse to the tank with optimum transmission power.

The flange plates that are available as accessories are not sufficient as launching plates. Only use accessories indicated as "launching plate".

Suitable launching plates: (→ 6.4).

For installation in closed metal tanks, the tank lid serves as a launching plate. For installation in open metal tanks, tanks made of plastic or metal tanks with plastic lids a sufficiently large fixing plate, a metal plate or similar must be used (→ 6.4.3 / → 6.4.4).

Furthermore, minimum distances to tank walls, objects in the tank, bottom of the tank and further level sensors must be adhered to (→ 6.1).

4.1 Applications

- Water, water-based media

Application examples:

- Detection of coolant emulsion in a machine tool.
- Detection of cleaning liquid in a parts cleaning system.

4.1.1 Restriction of the application area



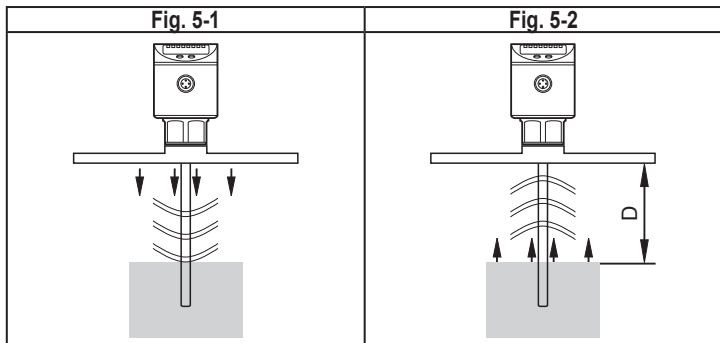
Incorrect measurements or signal loss may be caused by the following media:

- Highly absorbing surfaces (e.g. foam).
- Intensely bubbling surfaces.
- Media which are very inhomogeneous, separate from each other thus forming separation layers (e.g. oil layer on water).
 - ▶ Check the function by performing an application test.
 - ▶ Installation in a steady area (→ 6.1).
- > In case of signal loss, the unit displays [E.033] and switches the outputs to a defined state (→ 11.5).

- The unit is not suitable for media with a dielectric constant < 20 (e.g. oils, fats, plastic granulates, bulk material).
- If the unit is to be used in acids or alkalis, in hygienic areas or in electroplating applications: first check the compatibility of the product materials (→ 12 Technical data and scale drawing) with the media to be monitored.
- The unit is not suitable for applications where the probe is subjected to permanent and high mechanical stress (e.g. strongly moving viscous media or strongly flowing media).
- Use preferably in metal tanks. When installed in plastic tanks, deterioration caused by electromagnetic interference may occur (noise immunity to EN61000-6-2). Corrective measures: → 6.4.2
- When operating with a single probe and small tanks (probe lengths shorter than 200 mm and less than 300 mm distance to the tank wall), interference from the tank (resonances) may occur in rare cases.
Corrective measures: (→ 6.1)

5 Function

5.1 Measuring principle



The unit operates to the principle of guided wave radar. It measures the level using electromagnetic pulses in the nanosecond range.

The pulses are transmitted by the sensor head and guided along the rod (fig. 5-1). When they hit the medium to be detected they are reflected and guided back to the sensor (fig. 5-2). The time between transmitting and receiving the

pulse directly relates to the travelled distance (D) and the current level. The reference for distance measurement is the lower edge of the process connection.

5.2 Features of the unit

5.2.1 Easy set-up

- When operating voltage is applied to the unit for the first time, the probe length must be entered. Then the unit is ready for operation (→ 10.2).
- If necessary, parameters for the output signals and optimisation of the monitoring functions can be set (→ 10.3 to → 10.6).
- All settings can also be carried out before installation of the unit.
- Reset to the factory settings is possible.
- Electronic lock can be set to prevent unintentional operations.

5.2.2 Display functions

The unit displays the current level, either in cm, inch or in percent of the final value of the measuring range. Factory setting: inch. The display unit is defined by programming (→ 10.3). In the Run mode, it can be temporarily switched between length indication (cm / inch) and percentage:

- ▶ Briefly press [Set].
- > The selected unit is displayed for 30 s, the corresponding LED is lit. With each push of the button the display type is changed.

The set unit of measurement and the switching status of the outputs are indicated by LEDs.

5.2.3 Switching functions

The unit signals via four switching outputs OUT1...OUT4 that a set limit level has been reached or that the level is below the limit value.

For each output the following switching functions can be selected:

- Hysteresis function / normally open (fig. 5-3): [OUx] = [Hno].
- Hysteresis function / normally closed (fig. 5.3): [OUx] = [Hnc].

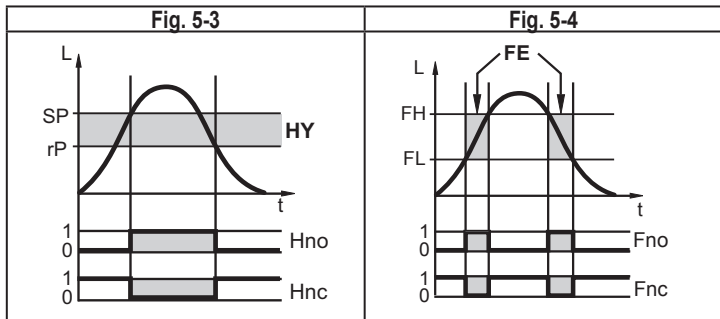


First the set point (SPx) is set, then the reset point (rPx) with the requested difference.

- Window function / normally open (fig. 5-4): [OUx] = [Fno].
- Window function / normally closed (fig. 5-4): [OUx] = [Fnc].



The width of the window can be set by means of the difference between FHx and FLx. FHx = upper value, FLx = lower value.



L = level; HY = hysteresis; FE = window

- For each switching output a switch-off delay of max. 60 s can be set (e.g. for especially long pump cycles).

5.2.4 Offset for indicating the real level in the tank

The zone between tank bottom and lower edge of the probe can be entered as offset value [OFS]. So display and switch points refer to the actual level.

5.2.5 Probes for different tank heights.

- The unit can be installed in tanks of different sizes. Probes in different lengths are available. To adapt to the tank height, each probe can be shortened. The minimum probe length is 10 cm, the maximum probe length is 160 cm.
- Probe and housing can be rotated without restriction. This enables easy installation and orientation of the head of the unit after installation.

5.2.6 Safe state

- In case of a fault a safe state can be defined for each output.
- If a fault is detected or if the signal quality is below a minimum value, the outputs pass into the "safe state". For this case the response of the outputs can be set via the parameters [FOU1]...[FOU4].
- Temporary loss of signal caused e.g. by turbulence or foam formation can be suppressed by a delay time (\rightarrow 10.6.6 [dFo]). During the delay time the last measured value is frozen. If the measured signal is received again in sufficient strength within the delay time, the unit continues to work in normal operation.

If, however, it is not received again in sufficient strength within the delay time, the outputs pass into the safe state.

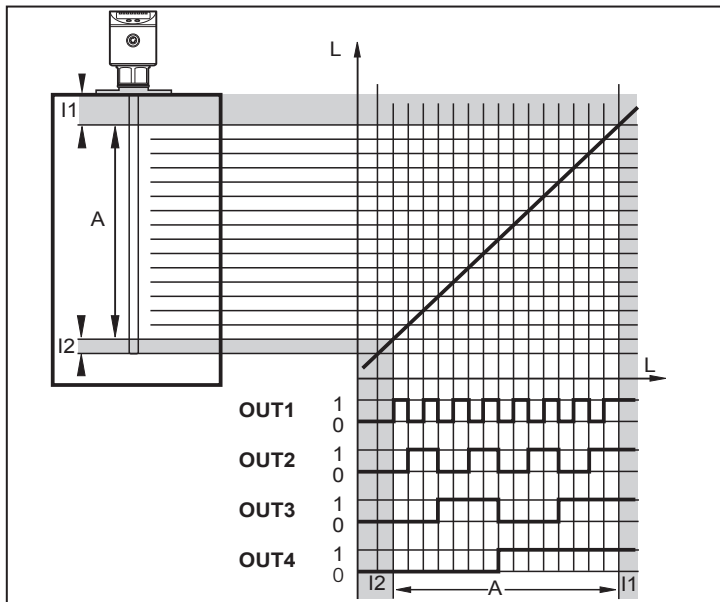


In case of heavy foam formation and turbulence, note the examples of how to create a steady area (\rightarrow 6.1).

5.2.7 Binary mode

In the binary mode the outputs OUT1...OUT4 indicate the level as a 8-4-2-1 binary code. Thus a quasi-analogue evaluation with a resolution of 15 steps (about 6.6 %) of the active zone (A) is available.

Below the probe and in the zone I2 the word 0000 is output (step 0). In the active zone (A) the steps 1...15 are passed through and the outputs switch to the shown states. If the active zone is exceeded (zone I1), the value of step 15 (word 1111) continues to be output.



For the zones A, I1 and I2 \rightarrow Technical data sheet

5.3 IO-Link

General information

This unit has an IO-Link communication interface which requires an IO-Link-capable module (IO-Link master) for operation.

The IO-Link interface enables direct access to the process and diagnostic data and provides the possibility to set the parameters of the unit during operation. In addition communication is possible via a point-to-point connection with a USB adapter cable.

Further information about IO-Link is available at www.ifm.com.

Device-specific information

You will find the IODDs necessary for the configuration of the IO-Link unit and detailed information about process data structure, diagnostic information and parameter addresses at www.ifm.com.

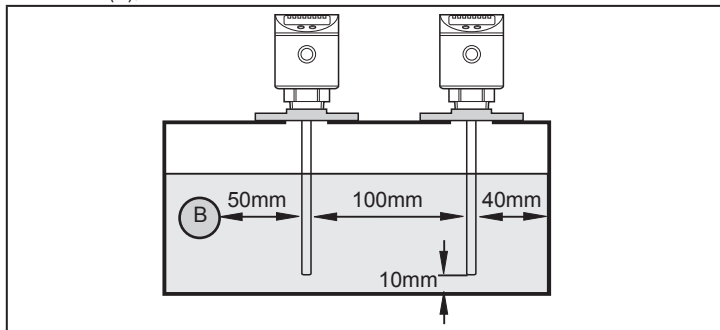
Parameter setting tools

You will find all necessary information about the required IO-Link hardware and software at www.ifm.com.

6 Installation

6.1 Installation location / environment

- Vertical installation from the top is preferred.
- For a safe function, the unit requires a launching plate (→ 6.4).
- The following minimum distances between the rod and tank walls, objects in the tank (B), tank bottom and other level sensors must be adhered to:



- For tank walls which are not straight, steps, supports or other structures in the tank a distance of 50 mm to the tank wall must be adhered to.
- When operating the unit in small tanks (probe lengths shorter than 200 mm and less than 300 mm distance to the tank wall), mount the unit off-centre (eccentrically) to prevent possible interference from tank resonances.
- For probe lengths > 70 cm the rod can be considerably deflected by movement of the medium. To avoid contacting the tank wall or other structures in the tank in such cases, the minimum distances should be increased.

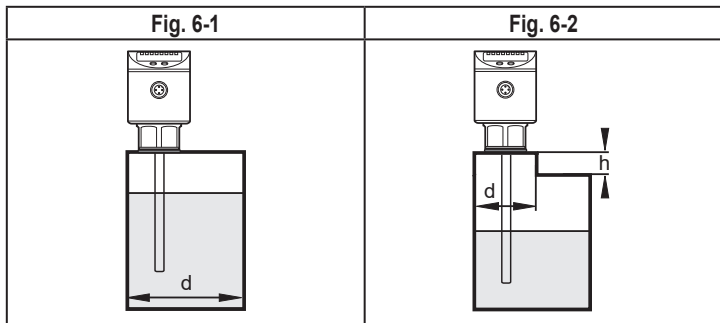
Reference values:

Probe length	Distance to the tank wall or structures in the tank
70...100 cm	100 mm
100...160 cm	180 mm

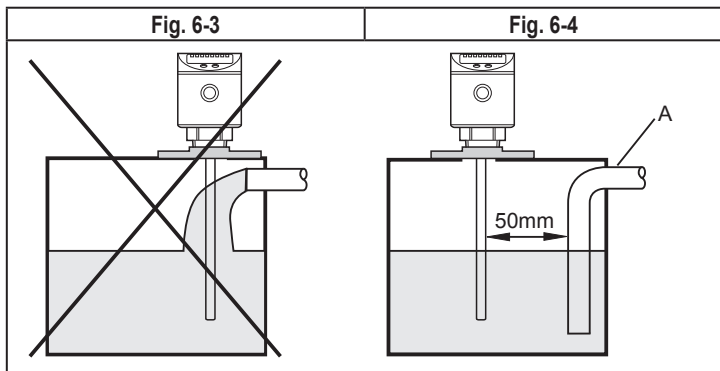
- If the medium is strongly polluted, there is the risk that a bridge forms between the rod and the tank wall or structures in the tank. To avoid incorrect measurements: adhere to increased minimum distances depending on type and intensity of the soiling.
- For installation in pipes:
 - The inside pipe diameter (d) must be at least 100 mm (fig. 6-1).
 - If possible, mount the unit off-centre (eccentrically).
 - Only install the unit in metal pipes.
- For installation in connection pieces:
 - The diameter of the boss (d) must be at least 60 mm (fig. 6-2).
 - The height of the boss (h) must not exceed 40 mm (fig. 6-2).



Although the unit can be installed in a boss, installation in a flat tank lid is recommended. A boss will impede the distribution of the microwaves.



- Do not install the unit in the immediate vicinity of a fill opening (fig. 6-3). If possible, install a fill pipe (A) in the tank (fig. 6-4). Minimum distance between the fill pipe and the rod = 50 mm; higher for probe lengths > 70 cm and in case of heavy soiling.



! To avoid incorrect measurements in case of heavy foam formation and turbulence:

- ▶ if possible, install the sensor in a steady area.

Example how to create a steady area:

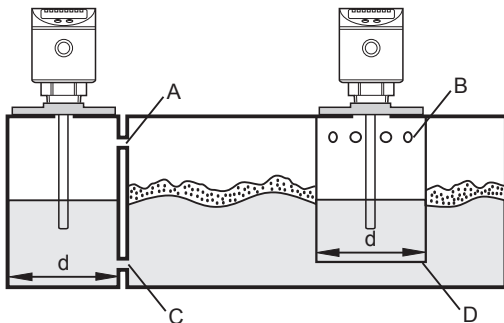
- Installation in bypass or still pipe (see fig. 6-5)
- Separation of the installation location by metal sheets / perforated sheets (without figure)



Min. diameter of the bypass and still pipe: $d = 100 \text{ mm}$.

The upper access to the steady area (fig. 6-5: A / B) has to be above the max. level. The lower access (fig. 6-5: C / D) or the area with perforated sheet has to be below the min. level. This ensures that neither foam nor turbulence impact the sensor zone. When perforated sheets or the like are used, soiling (e.g. by metal swarf, particles, ...) can also be avoided.

Fig. 6-5



6.2 Installation of the probe

The rod is not included in the scope of supply. It has to be ordered separately (→ 3 items supplied).

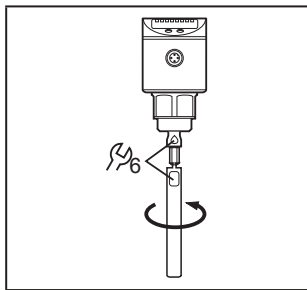
Fixing of the rod:

- Screw the rod to the unit and tighten it.



Recommended tightening torque:
4 Nm.

For ease of installation and removal the rod connection can be rotated without restriction. Even if rotated several times there is no risk of damage to the unit.



In case of high mechanical stress (strong vibration, moving viscous media) it may be necessary to secure the screw connection, e.g. by a screw retaining compound.



Substances such as screw retaining compounds may migrate into the medium. Make sure that they are harmless.

When using mechanical means of securing (e.g. tooth lock washer), protruding edges must be avoided. They may cause interference reflection.

6.3 Shortening of the probe

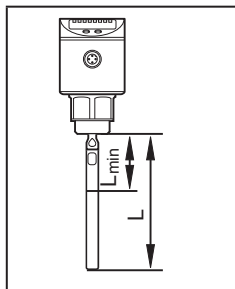
The rod can be shortened to adapt the probe to different tank heights.



Ensure that the probe length is never below the minimum permissible probe length of 10 cm (L_{\min})! The unit does not support probe lengths below 10 cm. If shorter probes are used, measurement errors can occur.

Proceed as follows:

- ▶ Screw the rod to the unit.
- ▶ Mark the desired length (L) on the rod. The reference point is the lower edge of the process connection.
- ▶ Remove the rod from the unit.
- ▶ Shorten the rod at the mark.
- ▶ Remove all burrs and sharp edges.
- ▶ Screw the rod to the unit again and tighten it. Recommended tightening torque: 4 Nm.
- ▶ Precisely measure the probe length L , note the value. It must be entered during parameter setting of the unit (\rightarrow 10.2).



$L_{\min} = 10 \text{ cm}$

6.4 Installation of the unit



For correct function the unit needs a large enough metal launching plate. It is necessary for transferring the microwave pulse to the tank with optimum transmission power.

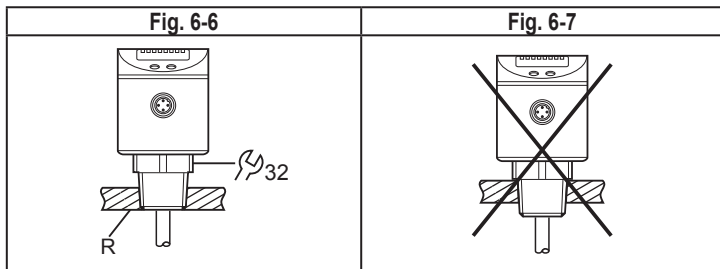
For installation in closed metal tanks, the tank lid serves as a launching plate (R in fig. 6-6 and 6-9). 2 ways of installation are possible:

- Screw in a $\frac{3}{4}$ " NPT process connection in the tank lid (\rightarrow 6.4.1).

- Installation in the tank lid using a flange plate, e.g. for tanks with thin walls (→ 6.4.2).


Furthermore, installation in open tanks (→ 6.4.3) and plastic tanks is possible (→ 6.4.4).

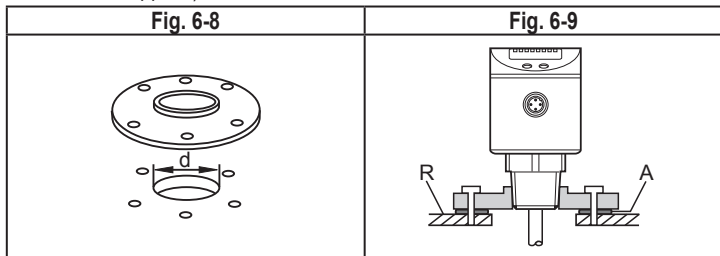
6.4.1 Installation in closed metal tanks (without flange plate)



- ▶ The lower edge of the process connection should be flush with the installation environment (fig. 6-6).
- ▶ Avoid non-flush installation (fig. 6-7). The height can be slightly corrected by means of appropriate sealing material (e.g. Teflon tape).
- ▶ For tanks with thick walls arrange for sufficiently deep recesses to ensure flush installation.

6.4.2 Installation in closed metal tanks (with flange plate)

 Flange plates are not supplied. They must be ordered separately (→ 3 Items supplied).



- ▶ Arrange for a bore hole in the tank lid. It must have a minimum diameter (d) to enable sufficient transfer of the measured signal to the probe (fig. 6-8). The diameter depends on the wall thickness of the tank lid:

Wall thickness [mm]	1...5	5...8	8...11
Bore hole diameter [mm]	35	45	55

- ▶ Install the flange plate with the flat surface showing to the tank and fix it with appropriate screws.

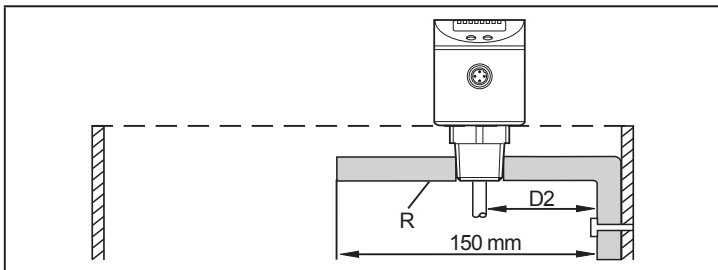
! A seal (A in fig. 6-9) can be inserted between flange plate and tank. Some flange plates are supplied with seal.

- ▶ Ensure cleanness and evenness of the sealing areas, especially if the tank is under pressure. Tighten the fixing screws sufficiently.
- ▶ Screw the unit into the flange plate using the process connection and tighten firmly.

The height can be slightly corrected by means of appropriate sealing material (e.g. Teflon tape).

6.4.3 Installation in open tanks

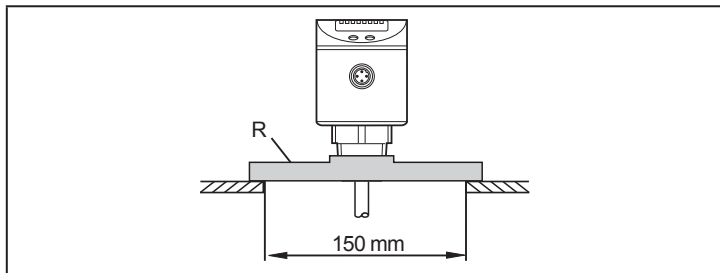
- ▶ For installation in open tanks, use a metal fixture to install the unit. It serves as a launching plate (R); minimum size: 150 x 150 mm for a square fixture, 150 mm diameter for a circular fixture (→ accessories).
- ▶ If possible, mount the unit in the middle of the fixture. The distance $D2$ must not be below 40 mm, higher for probe lengths > 70 cm and in case of heavy soiling (→ 6.1):



- ▶ The lower edge of the process connection should be flush with the installation environment (see fig. 6-6).

- ▶ Avoid non-flush installation (see fig. 6-7).
- ▶ The height can be slightly corrected by means of appropriate sealing material (e.g. Teflon tape).

6.4.4 Installation in plastic tanks



To enable sufficient transfer of the measured signal, note in case of installation in plastic tanks or metal tanks with plastic lid:

- ▶ A drill hole with a minimum diameter of 150 mm must be applied to the plastic lid.
- ▶ For installation of the unit, a metal flange plate (= launching plate R) must be used which sufficiently covers the drill hole (→ accessories).
- ▶ Ensure the minimum distance (= 80 mm) between rod and tank wall, higher for probe lengths > 70 cm and in case of heavy soiling (→ 6.1).



When installed in plastic tanks, there may be deterioration caused by electromagnetic interference. Corrective measures:

- Apply a metal foil to the outside of the tank.
- Apply a shielding screen between the level sensor and other electronic units.

6.5 Alignment of the sensor housing



After installation, the sensor housing can be aligned. It can be rotated without restriction. Even if rotated several times there is no risk of damage to the unit.

7 Electrical connection

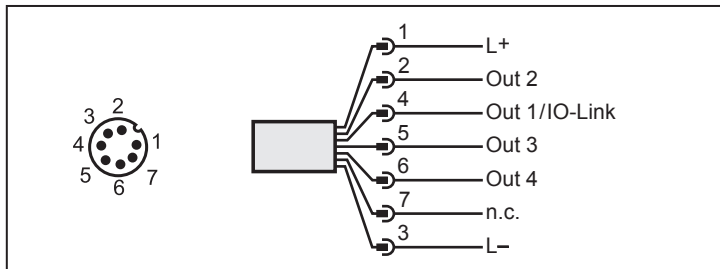


The unit must be connected by a qualified electrician.

The national and international regulations for the installation of electrical equipment must be adhered to.

Voltage supply according to SELV, PELV.

- ▶ Disconnect power.
- ▶ Connect the unit as follows:



Pin / connection	Core colours	
	for ifm sockets	for sockets according to DIN 47100
1 L+	brown	white
2 OUT2 (switching output 2)	white	brown
3 L-	blue	green
4 OUT1 / IO-Link	black	yellow
5 OUT3 (switching output 3)	grey	grey
6 OUT4 (switching output 4)	pink	pink
7 = not used	violet	blue

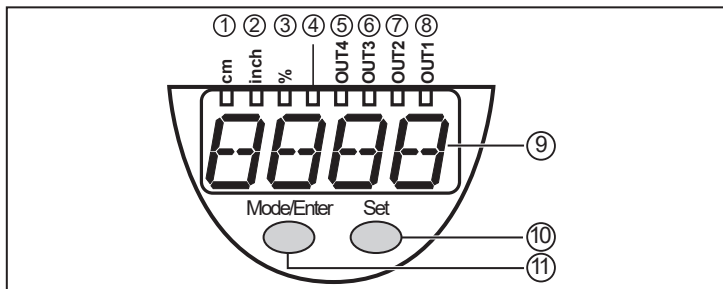
Connector 8-pole on connector 4-pole available as accessories:

- order no. E11228 (Y connection cable)
- order no. E11627 (T splitter box)



When operating voltage is applied to the unit for the first time, the probe length must be entered. Only then is the unit ready for operation (→ 10.2).

8 Operating and display elements



1 to 8: Indicator LEDs

- LED 1: green = indication of the level in cm.
- LED 2: green = indication of the level in inch.
- LED 3: green = indication of the level in % of the final value of the measuring range.
- LED 4: not used.
- LED 5: yellow = output 4 is switched.
- LED 6: yellow = output 3 is switched.
- LED 7: yellow = output 2 is switched.
- LED 8: yellow = output 1 is switched.

9: Alphanumeric display, 4 digits

- Indication of the current level.
- Operation and fault indication.
- Indication of the parameters and parameter values.

10: Set button

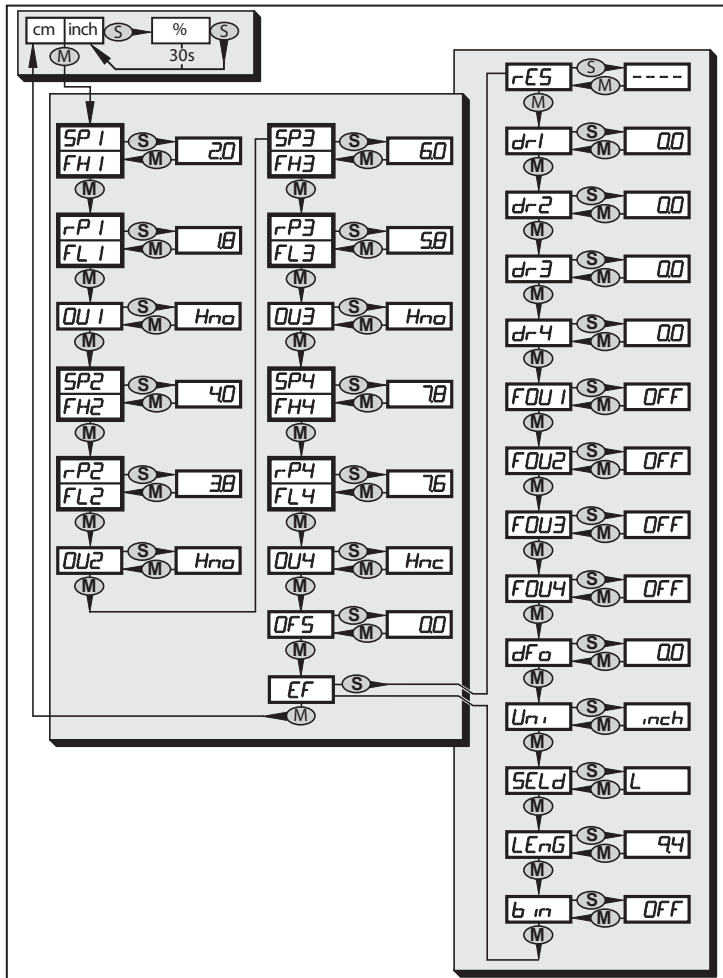
- Setting of the parameter values (scrolling by holding pressed; incremental by pressing once).
- Change between cm/inch indication and percent indication in the normal operating mode (Run mode).

11: Mode/Enter button

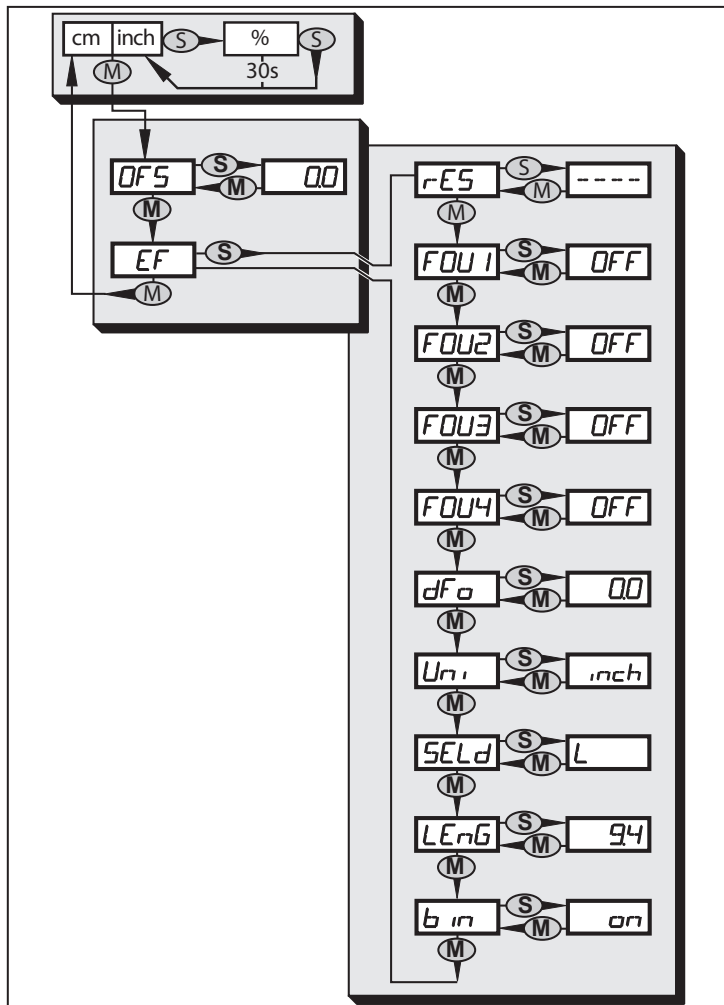
- Selection of the parameters and acknowledgement of the parameter values.

9 Menu

9.1 Menu structure / switching mode (bin = OFF)



9.2 Menu structure / binary mode (bin = on)



9.3 Explanation of the menu


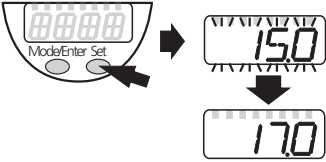

SP1/rP1	Upper / lower limit value for the level at which OUT1 switches.
FH1/FL1	Upper / lower limit for the acceptable range (monitored by OUT1).
SP2/rP2	Upper / lower limit value for the level at which OUT2 switches.
FH2/FL2	Upper / lower limit for the acceptable range (monitored by OUT2).
SP3/rP3	Upper / lower limit value for the level at which OUT3 switches.
FH3/FL3	Upper / lower limit for the acceptable range (monitored by OUT3).
SP4/rP4	Upper / lower limit value for the level at which OUT4 switches.
FH4/FL4	Upper / lower limit for the acceptable range (monitored by OUT4).
OUx	Output function for OUTx: Switching signal for the level limit values: hysteresis function [H ..] or window function [F ..], either normally open [. no] or normally closed [. nc].
OFS	Offset value for level measurement
EF	Extended functions / opening of menu level 2.
rES	Restore factory setting.
dr1	Switch-off delay for OUT1. The menu item is only active if OU1 = Hno or Hnc.
dr2	Switch-off delay for OUT2. The menu item is only active if OU2 = Hno or Hnc.
dr3	Switch-off delay for OUT3. The menu item is only active if OU3 = Hno or Hnc.
dr4	Switch-off delay for OUT4. The menu item is only active if OU4 = Hno or Hnc.
FOUx	Response of OUTx in case of a fault.
dFo	Delay time for switching response OUTx in case of a fault.
Uni	Unit of measurement (cm or inch).
SELd	Type of indication.
LEnG	Length of the rod.
bin	Changing between switching mode and binary mode.

10 Parameter setting

During parameter setting the unit remains in the operating mode internally. It continues to monitor with the existing parameters until the parameter setting has been completed.

10.1 Parameter setting in general



3 steps must be taken for each parameter setting:

1 Select parameter ▶ Press [Mode/Enter] until the requested parameter is displayed.	
2 Set parameter value ▶ Press [Set] and keep it pressed. > Current setting value of the parameter flashes for 5 s. > After 5 s: setting value is changed: incrementally by pressing the button once or continuously by keeping the button pressed.	
Numerical values are incremented continuously. For reducing the value: let the display move to the maximum setting value. Then the cycle starts again at the minimum setting value.	
3 Acknowledge parameter value ▶ Briefly press [Mode/Enter]. > The parameter is displayed again. The new setting value is saved.	
Setting of other parameters: ▶ Start again with step 1.	
Finishing the parameter setting: ▶ Press [Mode/Enter] several times until the current measured value is displayed or wait for 30 s. > The unit returns to the operating mode.	



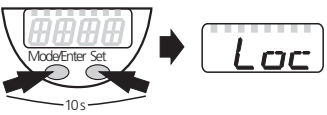
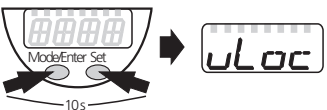
If [S.Loc] is displayed → 11.1 Operating indicators.

- Change from menu level 1 to menu level 2:

<ul style="list-style-type: none"> ▶ Press [Mode/Enter] until [EF] is displayed. 	
<ul style="list-style-type: none"> ▶ Briefly press [Set]. > The first parameter of the submenu is displayed (here: [res]). 	

- Locking / unlocking

The unit can be locked electronically to prevent unintentional settings.

<ul style="list-style-type: none"> ▶ Make sure that the unit is in the normal operating mode. ▶ Press [Mode/Enter] + [Set] for 10 s. > [Loc] is displayed. 	
<p>During operation: > [Loc] is briefly displayed if you try to change parameter values.</p>	
<p>For unlocking:</p> <ul style="list-style-type: none"> ▶ Press [Mode/Enter] + [Set] for 10 s. > [uLoc] is displayed. 	

On delivery: not locked.

- Timeout:

If no button is pressed for 30 s during parameter setting, the unit returns to the operating mode with unchanged values.

10.2 Probe length (unit on delivery)

On delivery of the unit, you must first enter the probe length. The complete parameter setting menu cannot be accessed before this.



Malfunctions may occur if the wrong probe length is set.

<ul style="list-style-type: none">▶ Apply operating voltage.<ul style="list-style-type: none">> The initial display $\equiv \equiv \equiv \equiv$ is shown.▶ Select [LEnG], press [Set] for 5 s.<ul style="list-style-type: none">> [nonE] is displayed.▶ Enter the probe length in inch. Remarks on the determination of the probe length → 6.3▶ Briefly press [Mode/Enter].	LEnG
---	-------------

Then the unit changes to the operating mode. For further parameter setting the menu can be opened. The parameter [LEnG] can be accessed and modified just like all other parameters.

10.3 Configuration of the display

<ul style="list-style-type: none">▶ Select [Uni] and set the unit of measurement: [cm], [inch]. Factory setting: inch.▶ Select [SELd] and set type of indication:<ul style="list-style-type: none">- [L] = The level is indicated in cm or inch.- [L%] = The level is indicated in percent of the final value of the measuring range.- [OFF] = The display is switched off in the operating mode. Touching one of the buttons indicates the current measured value for 30 s. The LEDs remain active even if the display is deactivated.	Uni SELd
--	---------------------

10.4 Selecting the evaluation mode

<ul style="list-style-type: none">▶ Select [bin] and set the mode: [OFF] = switching mode (= on delivery), [on] = binary mode. <p>The switching parameters SPx, rPx, OUx and drx are not available in the binary mode.</p>	bin
--	------------

10.5 Offset setting

<p>▶ Select [OFS] and enter the distance between bottom of the tank and lower edge of the probe.</p> <p>Afterwards, display and switch points refer to the real level. Factory setting: [OFS] = 0.</p> <p>Note: Set [OFS] before setting the switching limits (SPx/FHx, rPx/FLx). Otherwise, the switching limits shift by the value of the set offset.</p>	<i>OFS</i>
---	------------

10.6 Setting of output signals

10.6.1 Setting of the output function

<p>▶ Select [OU1] ... [OU4] and set the switching function:</p> <p>[Hno] = hysteresis function/NO, [Hnc] = hysteresis function/NC, [Fno] = window function/NO, [Fnc] = window function/NC.</p> <p>Note: If the upper switch point is used as an overflow protection, the setting OUx = Hnc (NC function) is recommended. The principle of normally closed operation ensures that wire break or cable break is also detected.</p>	<i>OU 1</i> ... <i>OU 4</i>
--	-----------------------------------

10.6.2 Set the switching limits (hysteresis function)

<p>▶ Make sure that the function [Hno] or [Hnc] is set for the corresponding output [OUx].</p> <p>▶ Select [SP1] ... [SP4] and set the value at which the output switches.</p>	<i>SP 1</i> ... <i>SP 4</i>
<p>▶ Select [rP1] ... [rP4] and set the value at which the output is reset. rPx is always smaller than SPx. The unit only accepts values which are lower than the value for SPx.</p>	<i>rP 1</i> ... <i>rP 4</i>

10.6.3 Set the switching limits (window function)

<p>▶ Make sure that the function [Fno] or [Fnc] is set for the corresponding output [OUx].</p> <p>▶ Select [FH1] ... [FH4] and set the upper limit of the acceptable range.</p>	<i>FH 1</i> ... <i>FH 4</i>
---	-----------------------------------

<p>▶ Select [FL1] ... [FL4] and set the lower limit of the acceptable range. FLx is always lower than FHx. The unit only accepts values which are lower than the value for FHx.</p>	<p>FL 1 ... FL 4</p>
---	------------------------------

10.6.4 Setting of the switch-off delay

<p>▶ Select [dr1]...[dr4] and set the value between 0.2 and 60 s. At 0.0 (= factory setting) the delay time is not active. The switch-off delay is only active if hysteresis has been set as switching function (OUx = Hno or Hnc).</p>	<p>dr 1 ... dr 4</p>
---	------------------------------

10.6.5 Response of the outputs in case of a fault

<p>▶ Select [FOU1] ... [FOU4] and set the value: [on] = output switches ON in case of a fault. [OFF] = output switches OFF in case of a fault. Factory setting: [FOU1] ... [FOU4] = [OFF]. Faults: faulty hardware, too low a signal quality, untypical level curve. Overflow is not considered to be a fault.</p>	<p>FOU 1 ... FOU 4</p>
--	--------------------------------

10.6.6 Setting of the delay time after signal loss

<p>▶ Select [dFo] and set a value between 0.2 and 5.0 s. At 0.0 (= factory setting) the delay time is not active. Mind the dynamics of your application. In case of fast level changes it is recommended to adapt the value step by step.</p>	<p>dFo</p>
---	------------

10.7 Reset all parameters to factory setting

<p>▶ Select [rES], then press [Set] and keep it pressed until [----] is displayed. ▶ Briefly press [Mode/Enter]. > The unit reboots and the factory settings are restored. Note: On delivery the unit is not operational. You first must enter the value for the probe length (→ 10.2).</p>	<p>rES</p>
--	------------

10.8 Changing the probe length

Required after changes to the probe or to the application area.

<p>▶ Select [LEnG] and set probe length L. Note the set unit of measurement (cm or inch). Step increment: 0.5 cm / 0.2 inch.</p> <p>Remarks on the determination of the probe length:</p> <p>▶ Observe notes (→ 6.3).</p>	LEnG
---	-------------

11 Operation

After power on, the unit is in the Run mode (= normal operating mode). It carries out its measurement and evaluation functions and generates output signals according to the set parameters.

11.1 Operating indicators

[---] continuously	Initialisation phase after power on
Numerical value + LED 1	Current level in cm.
Numerical value + LED 2	Current level in inch.
Numerical value + LED 3	Current level in % of the final value of the measuring range.
LED 5 ... LED 8	Switching status of the corresponding output.
[----]	Level below the active zone.
[FULL] + numerical value alternately	Level has reached or exceeded the maximum measuring range (= overflow warning).
====	On delivery the unit is not operational. Entering of the probe length is required (→ 10.2).
[Loc]	Unit electronically locked; parameter setting impossible. For unlocking press the two setting buttons for 10 s.
[uLoc]	Unit is unlocked / parameter setting is possible again.
[S.Loc]	If [S.Loc] is displayed when an attempt is made to modify a parameter value, either an IO-Link communication is active (temporary locking) or the sensor is permanently locked via software. This locking can only be removed with a parameter setting software.

11.2 Read the set parameters

- ▶ Briefly press [Mode/Enter] to scroll the parameters.
- ▶ Press [Set] briefly to indicate the corresponding parameter value for about 30 s. After another 30 s the unit returns to the Run mode.

11.3 Changing the display unit in the Run mode

(= switching between length indication (cm / inch) and percentage).

► Briefly press [Set] in the Run mode.

- > The selected unit is displayed for 30 s, the corresponding LED is lit.
With each push of the button the display type is changed.

11.4 Error indications

	Possible cause	Recommended measures
[E.000]	Fault in the electronics.	Replace the unit.
[E.031]	Probe detached from the unit; possibly incorrect setting of the probe length.	Check whether the probe is still attached to the unit. Check the parameter [LEnG].
[E.033]	Measurement disturbed by foam formation or strong turbulence.	• Install the unit in a still pipe or bypass. • Set or increment [dFo] (→ 10.6.6)
	Measurement disturbed by separation layers (e.g. oil layer on water).	Remove the oil layer by suction, stir the medium, verify the composition.
	Rod or process connection soiled.	Clean the rod and the process connection, carry out a reset.*
	Installation conditions were not adhered to.	Observe the notes in "Installation" (→ 6).
	Probe length set incorrectly.	Correct the settings (→ 10.2), then carry out a reset.*
[SCx]	Flashing: short circuit in switching output x.	Remove the short circuit.
[SC]	Flashing: short circuit in all switching outputs.	Remove the short circuit.
[PArA]	Faulty data set.	Reset to factory settings (→ 10.7).

** Carry out a reset (power off and on again) after rectifying the fault to reset the error message.

11.5 Output response in different operating states

	OUT1... OUT4
Initialisation	OFF
Normal operation	according to the level and the setting of the output function (bin, OU1...OU4)
Fault (E.0xx)	OFF for FOUx = OFF; ON for FOUx = on

12 Technical data and scale drawing



Technical data and scale drawing at www.ifm.com.

12.1 Setting ranges

[LEnG]	cm	inch
Setting range	10...160	4.0...63
Step increment	0.5	0.2

[OFS]	cm	inch
Setting range	0...100	0...39.4
Step increment	0.5	0.2

The setting ranges for the switching limits (SPx, rPx, FHx, FLx) depend on the probe length (L). In general the following applies:

	cm		inch	
	min	max	min	max
SPx / FHx	1.5	L - 3	0.6	L - 1.2
rPx / FLx	1.0	L - 3.5	0.4	L - 1.4
Step increment	0.5		0.2	

The values apply if [OFS] = 0.

- rPx (FLx) is always smaller than SPx (FHx). If the value for SPx (FHx) is reduced to a value \leq rPx (FLx), the position of rPx (FLx) also shifts.
- If rPx (FLx) and SPx (FHx) are close together (approx. 3 x step increment), rPx (FLx) is changed automatically when SPx (FHx) is increased.
- If there is a greater distance between rPx (FLx) and SPx (FHx), rPx (FLx) maintains the set value even if SPx (FHx) is increased.

13 Servicing

- ▶ Keep the process connection free of deposits and foreign bodies.
- ▶ In case of heavy soiling: clean the process connection and the probe at regular intervals.

In case of longer operation separation layers can form in the medium (e.g. oil on water). This applies especially to still pipes or bypasses.

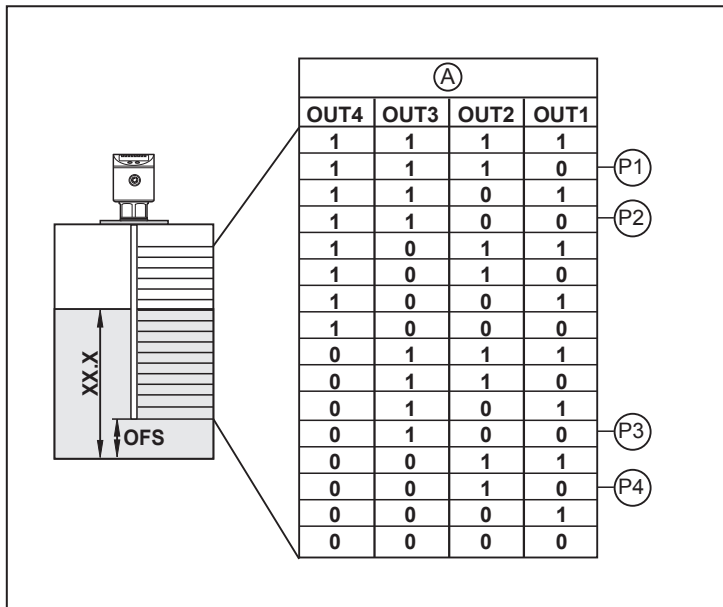
- ▶ Remove separation layers at regular intervals.

14 Applications

14.1 Storage tanks / level monitoring

Level monitoring with evaluation in the binary mode

- Menu setting: bin = on.
- The settings for SPx, rPx, drx and OUx are not effective.



XX.X = display value

A = binary value

P1: position 1, e.g. maximum value reached; P2: position 2, e.g. upper preset value reached;

P3: position 3, e.g. lower preset value reached; P4: position 4, e.g. minimum value reached

The binary mode corresponds to an analogue evaluation with a resolution of 6.6 % of the active zone or 4 bits.

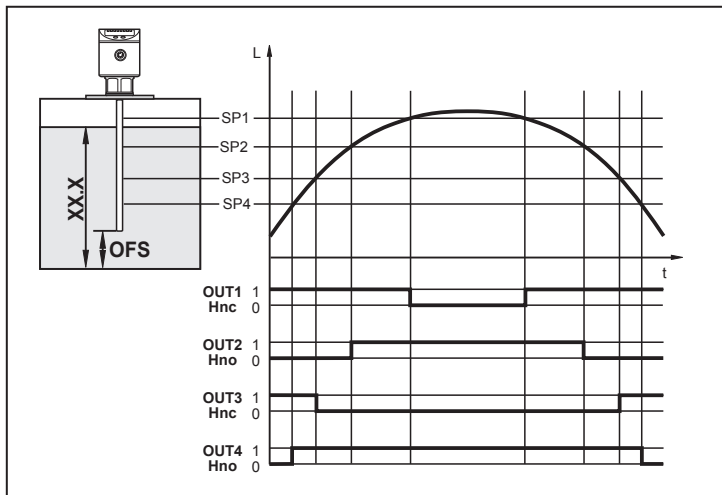
In the evaluation electronics (PLC etc.) no analogue input is used, the analogue value is already available in digital form (8-4-2-1 binary code).

14.2 Storage tank

Level control and min / max monitoring with 4 switching outputs.

Replaces 4 float switches.

Configuration of the switching outputs 1 ... 4 (bin = OFF)	
SP1	Maximum value exceeded → alarm.
OU1	Hysteresis function, normally closed (Hnc).
SP2	Upper preset value reached → finish refilling.
OU2	Hysteresis function, normally open (Hno).
SP3	Below lower preset value → start refilling.
OU3	Hysteresis function, normally closed (Hnc).
SP4	Below min. value → alarm.
OU4	Hysteresis function, normally open (Hno).
rP1... rP4	Each slightly below SPx to suppress wave movements (factory setting).



XX.X = display value

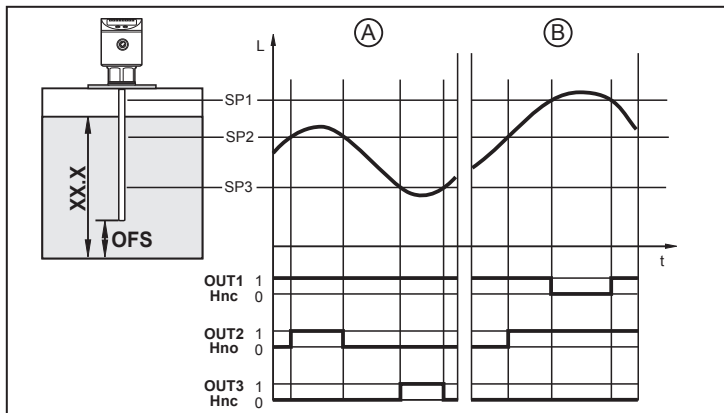
- If the level is below SP1, the output is switched. If the level is above SP1 or if there is a wire break, output 1 switches OFF (alarm message "overflow / wire break").
- If the level reaches SP2, output 2 switches (upper preset value reached; finish refilling).
- If the level is below SP3, output 3 switches (below lower preset value; start refilling).
- If the level is below SP4, the output is switched. If the level is below SP4 or if there is a wire break, output 4 switches OFF (alarm message "below min. value / wire break").

14.3 Pumping station

Empty the tank / overflow protection with 3 switching outputs.

Replaces 3 float switches.

Configuration of the switching outputs 1 ... 3 (bin = OFF)	
SP1	Maximum value exceeded → alarm.
OU1	Hysteresis function, normally closed (Hnc).
SP2	Upper value exceeded → submersible pump ON.
OU2	Hysteresis function, normally open (Hno).
SP3	Lower value reached → submersible pump OFF.
OU3	Hysteresis function, normally closed (Hnc).
rP1... rP3	Each slightly below SPx to suppress wave movements (= factory setting).



XX.X = display value; A = empty the tank; B = overflow protection

- If the level is below SP1, the output is switched. If the level is above SP1 or if there is a wire break, output 1 switches OFF (alarm message "overflow / wire break").
- If the level exceeds SP2, output 2 switches (upper value exceeded, submersible pump ON).
- If the level is below SP3, output 3 switches (lower value reached, submersible pump OFF).

15 Factory setting

	Factory setting	User setting
SP1 / FH1	25% SP/FHmax	
rP1 / FL1	25% rP/FLmax	
OU1	Hno	
SP2 / FH2	50% SP/FHmax	
rP2 / FL2	50% rP/FLmax	
OU2	Hno	
SP3 / FH3	75% SP/FHmax	

	Factory setting	User setting
rP3 / FL3	75% rP/FLmax	
OU3	Hno	
SP4 / FH4	100% SP/FHmax	
rP4 / FL4	100% rP/FLmax	
OU4	Hnc	
OFS	0.0	
dr1	0.0	
dr2	0.0	
dr3	0.0	
dr4	0.0	
FOU1	OFF	
FOU2	OFF	
FOU3	OFF	
FOU4	OFF	
dFo	0	
Uni	inch	
SELd	L	
LEnG	nonE	
bin	OFF	

SP/FHmax = LEnG value in inch minus 1.2.

rP/FLmax = LEnG value in inch minus 1.4.

When the LEnG value is entered, the program calculates the basic setting.

More information at www.ifm.com