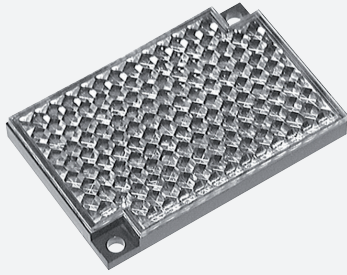
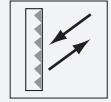


# Reflector

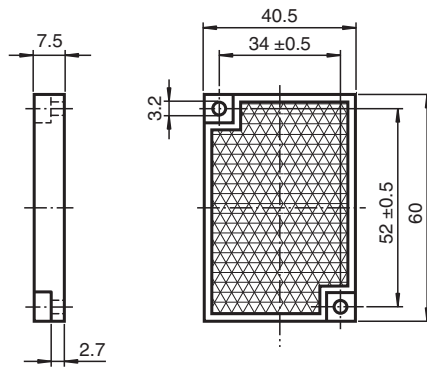
## REF-H60-A025-SET



- Mounting holes for simple installation

Reflector, rectangular 40.5 mm x 60 mm, mounting holes

### Dimensions



### Technical Data

#### General specifications

Construction type rectangular

#### Ambient conditions

Ambient temperature -20 ... 60 °C (-4 ... 140 °F)

#### Mechanical specifications

Material PMMA/ABS

Dimensions 60 mm x 40.5 mm x 7.5 mm

Mounting mounting holes

#### Accessories

Accessories provided 2 x M3 x 12 Philip-slot SEM Pan Head Machine Screws with flat washer and spring washer , Stainless steel A2 , passivated  
2 x M3 Hexagon DIN 985 locknuts with nylon insert , Stainless steel A2 (wrench required for tightening)