

IR06D-PS150-A12

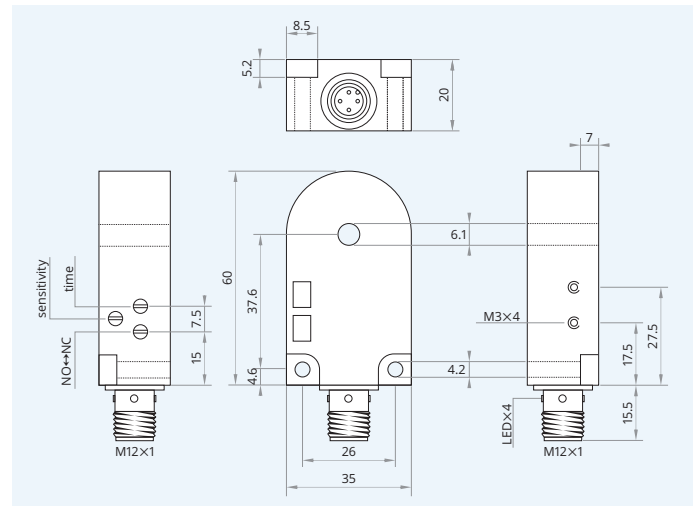
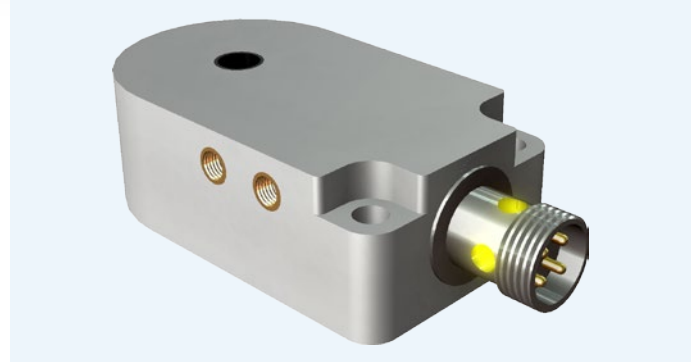
Mind O≠0, I≠I≠1, S≠5, B≠8.

| | |
|-----------------------------|--------------------------------|
| Ring diameter | ∅ 6.1 mm |
| Resolution | adjustable, ∅ >0.5 mm |
| Operating voltage | 10...30 V _{DC} |
| Reverse polarity protection | built-in |
| Current consumption | <10 mA |
| Current load capability | 200 mA |
| Output function | NO NC |
| Output polarity | PNP |
| Short circuit protection | built-in, self-resetting |
| Impulse lengthening | 0.1...150 ms |
| Voltage drop | <2 V @ 200 mA |
| Adjustment | multi-turn potentiometer |
| Object speed | 0.1...35 m/s · 0.33...115 ft/s |
| Response release time | 0.2 ms 0.2 ms |
| Operating temperature | -20...+70 °C · -3...+159 °F |
| Protection class | IP67 |
| Ring material | PA 6,6 |
| Housing material | PBT |
| Switching indicator | built-in |
| Connection | male connector M12 |
| Complies with | CE, RoHS |

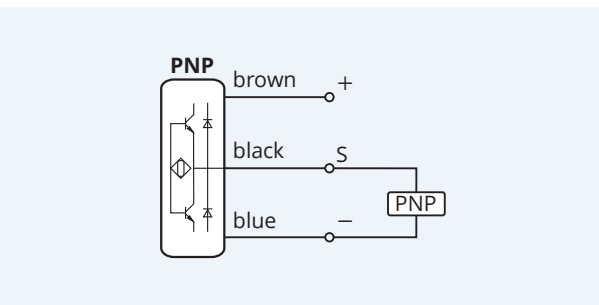


25 months Warranty Our products are manufactured to stringent ISO 9001 European standards to ensure that our customers only receive the best quality.

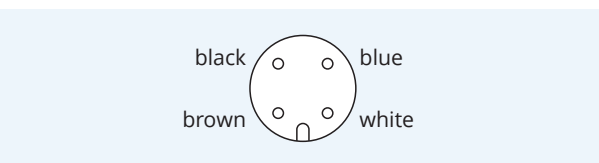
Inductive Proximity Switch 3-Wire Ring Sensors Operating principle: *Dynamic*



Wiring diagram



Pinout



Caution! This device shall not be used if the safety of persons rely on its faultless function.

XECRO reserves the right to make minor changes without prior notification.