

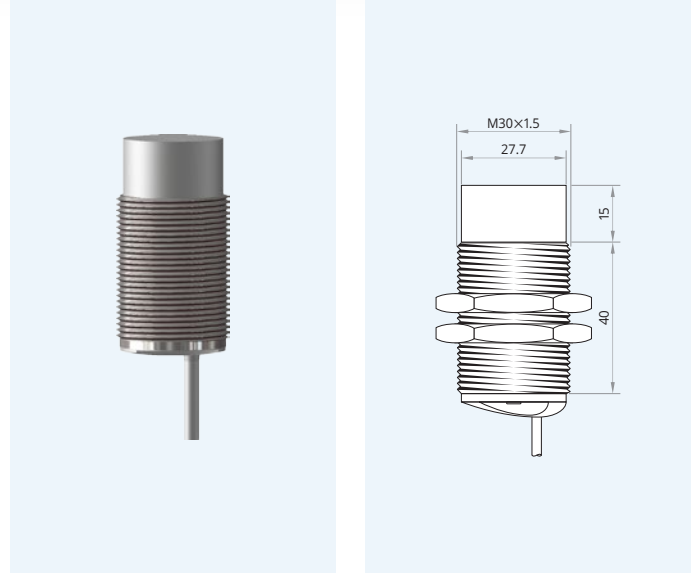
IA30-N40V010-N2P

Mind O≠0, I≠I≠1, S≠5, B≠8.

| | |
|-----------------------------|-------------------------------|
| Housing dimension | M30×1.5 |
| Mounting | non-flush |
| Measuring range | 0...40 mm |
| Operating voltage | 15...30 V _{DC} |
| Reverse polarity protection | built-in |
| Current consumption | <25 mA |
| Load resistor | ≥500 Ω |
| Output characteristics | 0...10 V |
| Overload protection | built-in |
| Output frequency | ≤300 Hz |
| Reduction factors | Alu 0.45 · Brs 0.50 · SS 0.85 |
| Operating temperature | -20...+70 °C · -3...+159 °F |
| Protection class | IP67 |
| Sensing face material | PBT |
| Housing material | brass |
| Connection | PVC, ultra-flex |
| Mounting clearance z | 35 mm |
| Mounting clearance x | 38 mm |
| Complies with | CE, RoHS |



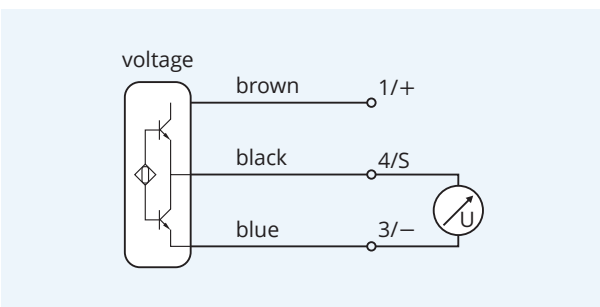
Inductive Proximity Switch 3-Wire Analog Output Sensing range: *Extended*



25
months

Warranty Our products are manufactured to stringent ISO 9001 European standards to ensure that our customers only receive the best quality.

Wiring diagram



Clearance for parallel mounting



Caution! This device shall not be used if the safety of persons rely on its faultless function.

XECRO reserves the right to make minor changes without prior notification.