

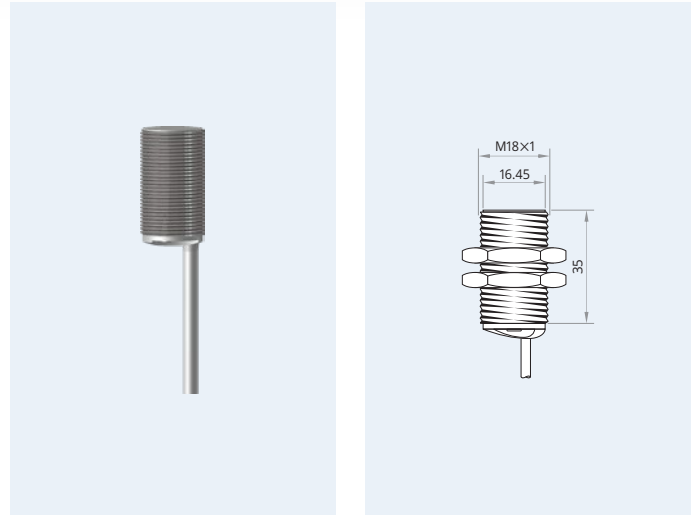
IPS18-S5NA30-N2P

Mind O≠0, I≠I≠1, S≠5, B≠8.

Housing dimension	M18
Mounting	flush
Sensing distance S_n	5 mm
Operating voltage	6...12 V _{DC} , NAMUR
Reverse polarity protection	amplifier
Current consumption	>2.1 mA
Off-state current	<1.1 mA
Short circuit protection	amplifier
Voltage drop	amplifier
Switching frequency	500 Hz
Reduction factors	Alu 0.45 · Brs 0.50 · SS 0.85
Operating temperature	-20...+70 °C · -3...+159 °F
Protection class	IP67
Sensing face material	PBT
Housing material	brass
Switching indicator	amplifier
Connection	PVC, ultra-flex
Complies with	CE, RoHS

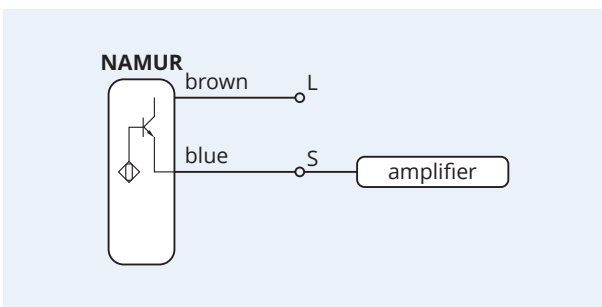


Inductive Proximity Switch 2-Wire NAMUR Sensing range: *Standard*

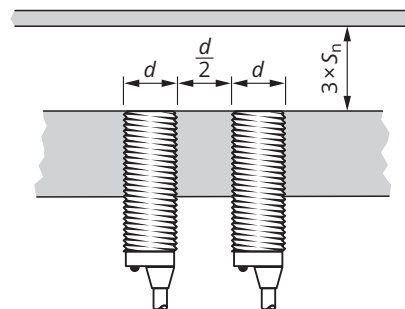


25 months **Warranty** Our products are manufactured to stringent ISO 9001 European standards to ensure that our customers only receive the best quality.

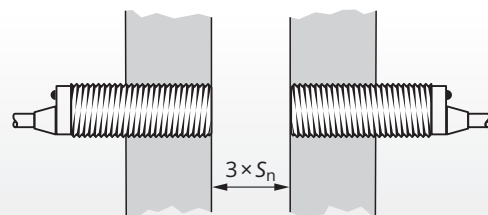
Wiring diagram



Clearance for parallel mounting



Clearance for opposing mounting



⚠ Caution! This device shall not be used if the safety of persons rely on its faultless function.

XECRO reserves the right to make minor changes without prior notification.