

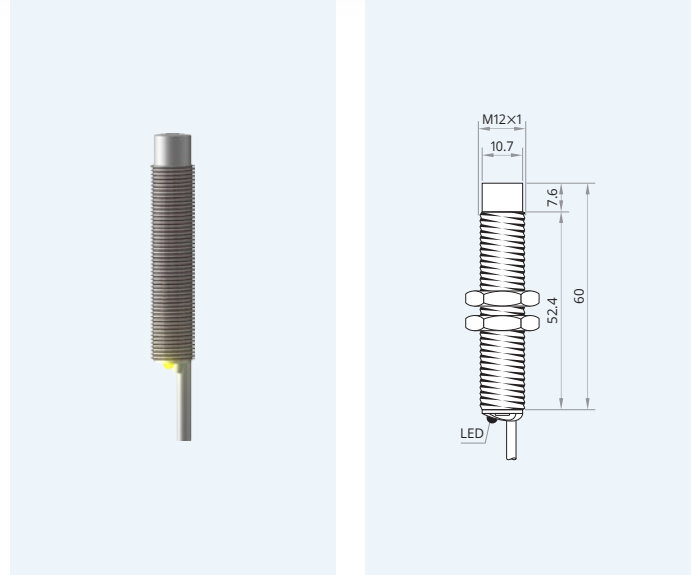
## IPS12-N8AO60-A2P

Mind O≠0, I≠I≠1, S≠5, B≠8.

Housing dimension	M12×1
Mounting	non-flush
Sensing distance $S_n$	8 mm
Operating voltage	20...250 V <sub>AC</sub>
Reverse polarity protection	not required
Current consumption	<3 mA
Current load capability	400 mA
Output function	normally open
Voltage drop	<8 V @ 400 mA
Switching frequency	25 Hz
Reduction factors	Alu 0.45 · Brs 0.50 · SS 0.85
Operating temperature	-20...+70 °C · -3...+159 °F
Protection class	IP67
Sensing face material	PBT
Housing material	brass
Switching indicator	built-in
Connection	PVC, ultra-flex
Mounting clearance z	14 mm
Mounting clearance x	14 mm
Complies with	CE, RoHS

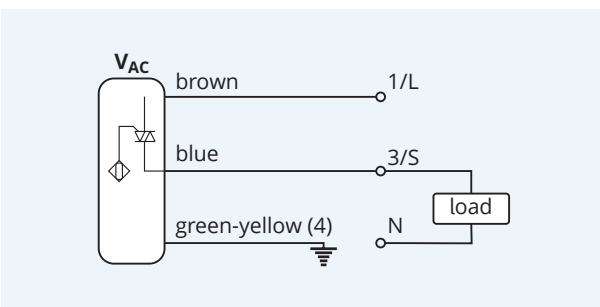


## Inductive Proximity Switch 2-Wire AC Sensing range: *Increased*

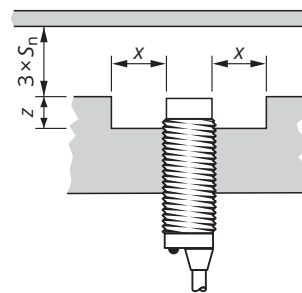


**25 months** **Warranty** Our products are manufactured to stringent ISO 9001 European standards to ensure that our customers only receive the best quality.

Wiring diagram



Clearance for parallel mounting



**⚠ Caution!** This device shall not be used if the safety of persons rely on its faultless function.

XECRO reserves the right to make minor changes without prior notification.