

## IPS8-N4PC32-A8

Mind O≠0, I≠I≠1, S≠5, B≠8.

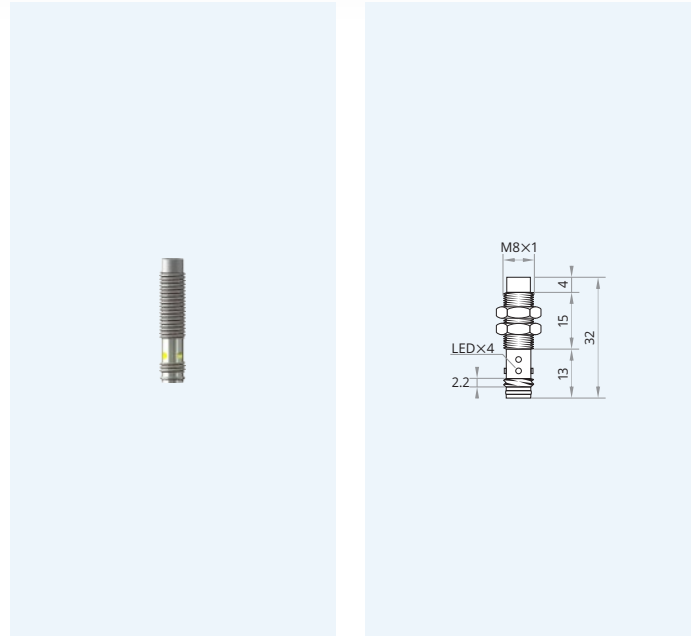
|                             |                               |
|-----------------------------|-------------------------------|
| Housing dimension           | M8×1                          |
| Mounting                    | non-flush                     |
| Sensing distance $S_n$      | 4 mm                          |
| Operating voltage           | 10...30 V <sub>DC</sub>       |
| Reverse polarity protection | built-in                      |
| Current consumption         | <8 mA                         |
| Current load capability     | 200 mA                        |
| Output function             | normally closed               |
| Output polarity             | PNP                           |
| Short circuit protection    | built-in, self-resetting      |
| Voltage drop                | <1.5 V @ 200 mA               |
| Switching frequency         | 2000 Hz                       |
| Reduction factors           | Alu 0.45 · Brs 0.50 · SS 0.85 |
| Operating temperature       | -20...+70 °C · -3...+159 °F   |
| Protection class            | IP67                          |
| Sensing face material       | SS304                         |
| Housing material            | SS304                         |
| Switching indicator         | built-in                      |
| Connection                  | male connector M8             |
| Mounting clearance z        | 8 mm                          |
| Mounting clearance x        | 8 mm                          |
| Complies with               | CE, RoHS                      |



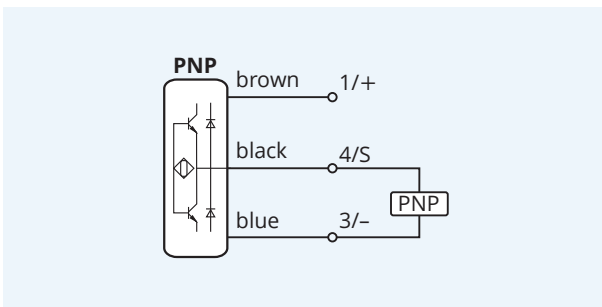
**Warranty** Our products are manufactured to stringent ISO 9001 European standards to ensure that our customers only receive the best quality.



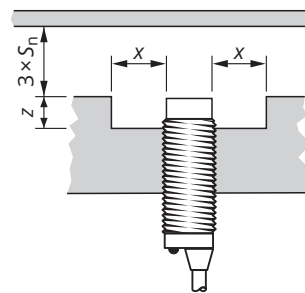
## Inductive Proximity Switch 3-Wire DC Sensing range: *Increased*



Wiring diagram



Clearance for parallel mounting



Caution! This device shall not be used if the safety of persons rely on its faultless function.

XECRO reserves the right to make minor changes without prior notification.