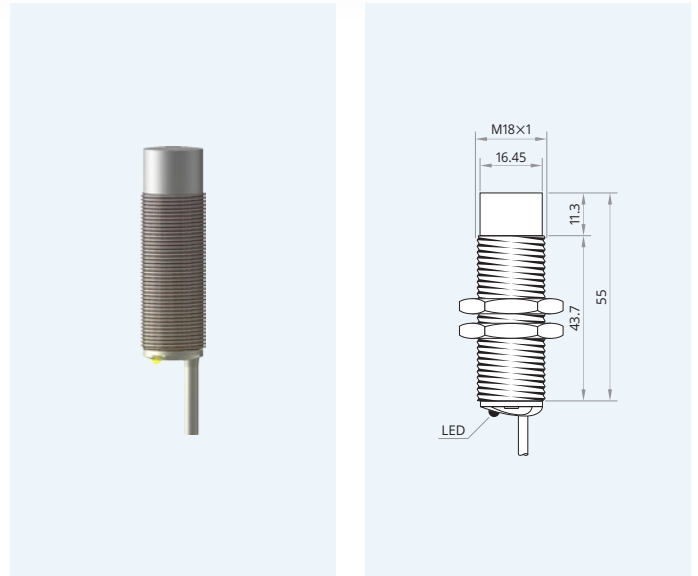


IPS18-N16AO55-A2P

Inductive Proximity Switch 2-Wire AC Sensing range: *Increased*

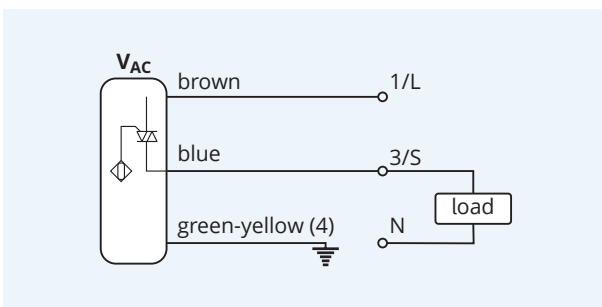
Mind O≠0, I≠I≠1, S≠5, B≠8.

| | |
|-----------------------------|-------------------------------|
| Housing dimension | M18×1 |
| Mounting | non-flush |
| Sensing distance S_n | 16 mm |
| Operating voltage | 20...250 V _{AC} |
| Reverse polarity protection | not required |
| Current consumption | <3 mA |
| Current load capability | 400 mA |
| Output function | normally open |
| Voltage drop | <8 V @ 400 mA |
| Switching frequency | 25 Hz |
| Reduction factors | Alu 0.45 · Brs 0.50 · SS 0.85 |
| Operating temperature | -20...+70 °C · -3...+159 °F |
| Protection class | IP67 |
| Sensing face material | PBT |
| Housing material | brass |
| Switching indicator | built-in |
| Connection | male connector M12 |
| Mounting clearance z | 24 mm |
| Mounting clearance x | 20 mm |
| Complies with | CE, RoHS |

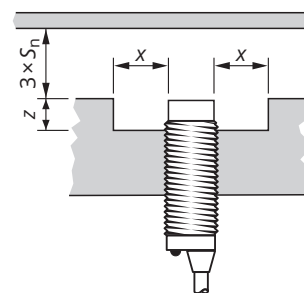


25 months Warranty Our products are manufactured to stringent ISO 9001 European standards to ensure that our customers only receive the best quality.

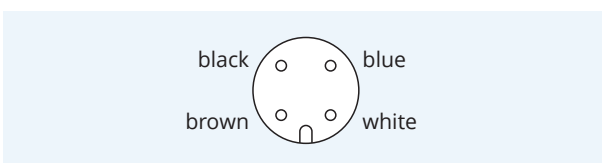
Wiring diagram



Clearance for parallel mounting



Pinout



Caution! This device shall not be used if the safety of persons rely on its faultless function.

XECRO reserves the right to make minor changes without prior notification.