


## IHT30-N15APC55-A2S

Mind O≠0, I≠I≠1, S≠5, B≠8.

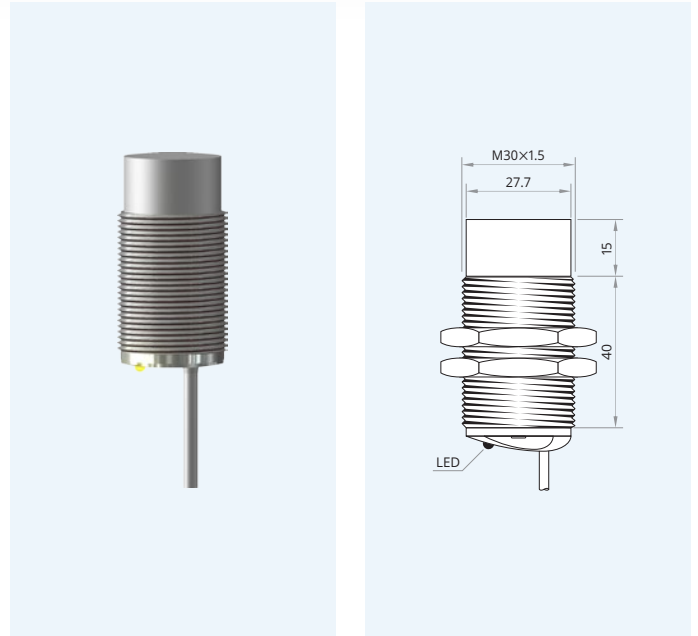
|                             |                               |
|-----------------------------|-------------------------------|
| Housing dimension           | M30×1.5                       |
| Mounting                    | non-flush                     |
| Sensing distance $S_n$      | 15 mm                         |
| Operating voltage           | 10...30 V <sub>DC</sub>       |
| Reverse polarity protection | built-in                      |
| Current consumption         | <8 mA                         |
| Current load capability     | 150 mA                        |
| Output function             | normally closed               |
| Output polarity             | PNP                           |
| Short circuit protection    | built-in, self-resetting      |
| Voltage drop                | <2V @ 150 mA                  |
| Switching frequency         | 200 Hz                        |
| Reduction factors           | Alu 0.45 · Brs 0.50 · VA 0.85 |
| Operating temperature       | -20...+120 °C · -3...+249 °F  |
| Protection class            | IP67                          |
| Sensing face material       | PTFE                          |
| Housing material            | SS 1.4301                     |
| Switching indicator         | built-in*                     |
| Connection                  | silicone                      |
| Mounting clearance z        | 35 mm                         |
| Mounting clearance x        | 38 mm                         |
| Complies with               | CE, RoHS                      |



**25 months** **Warranty** Our products are manufactured to stringent ISO 9001 European standards to ensure that our customers only receive the best quality.



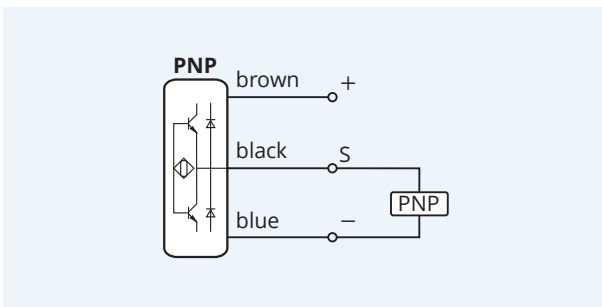
## Inductive Proximity Switch 3-Wire DC High Temperature Resistant Sensing range: *Standard*



Maximum temperature: 120 °C · 249 °F

\* Only for set-up. The LED may die if operated beyond 120 °C (249 °F). The LED is not covered by warranty.

Wiring diagram



Clearance for parallel mounting



**⚠** Caution! This device shall not be used if the safety of persons rely on its faultless function.

XECRO reserves the right to make minor changes without prior notification.