

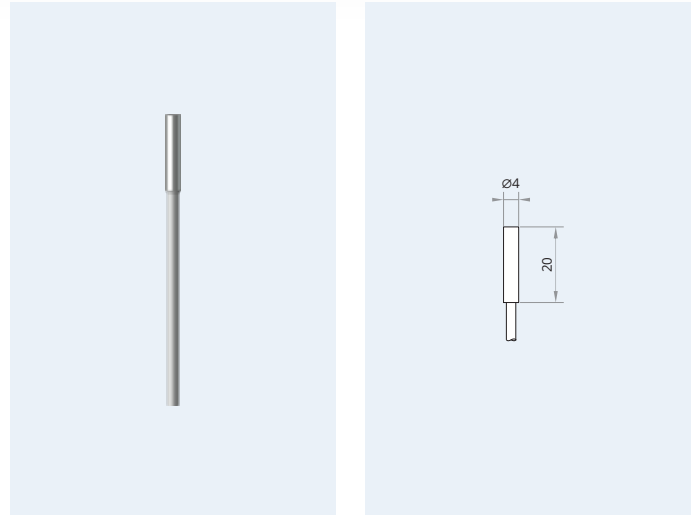
## IPSD4-S08NA20-N2U

Mind O≠0, I≠I≠1, S≠5, B≠8.

Housing dimension	∅ 4 mm
Mounting	flush
Sensing distance $S_n$	0.8 mm
Operating voltage	6...12 V <sub>DC</sub> , NAMUR
Reverse polarity protection	amplifier
Current consumption	>2.1 mA
Off-state current	<1.1 mA
Short circuit protection	amplifier
Voltage drop	amplifier
Switching frequency	2000 Hz
Reduction factors	Alu 0.45 · Brs 0.50 · SS 0.85
Operating temperature	-20...+70 °C · -3...+159 °F
Protection class	IP67
Sensing face material	PBT
Housing material	SS 1.4301
Switching indicator	amplifier
Connection	PUR, ultra-flex
Complies with	CE, RoHS

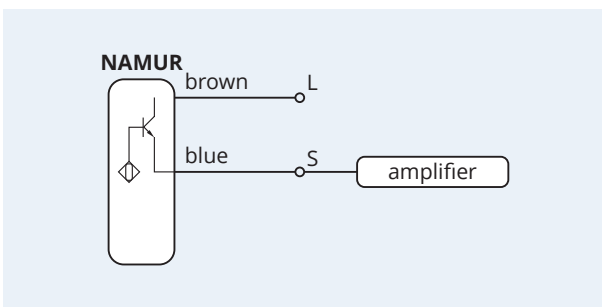


## Inductive Proximity Switch 2-Wire NAMUR Sensing range: *Standard*



**25 months** **Warranty** Our products are manufactured to stringent ISO 9001 European standards to ensure that our customers only receive the best quality.

Wiring diagram



Clearance for parallel mounting



Clearance for opposing mounting



**⚠ Caution!** This device shall not be used if the safety of persons rely on its faultless function.

XECRO reserves the right to make minor changes without prior notification.