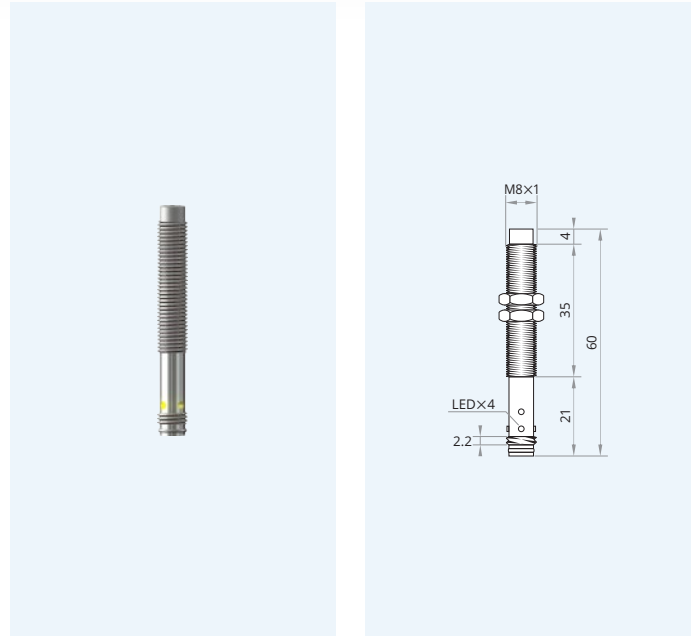


## IPS8-N4DC60-A8

Mind O≠0, I≠I≠1, S≠5, B≠8.

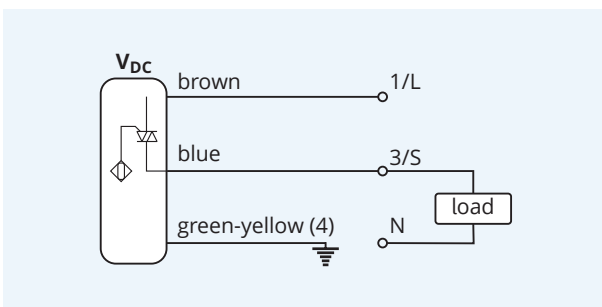
|                             |                               |
|-----------------------------|-------------------------------|
| Housing dimension           | M8×1                          |
| Mounting                    | non-flush                     |
| Sensing distance $S_n$      | 4 mm                          |
| Operating voltage           | 10...55 V <sub>DC</sub>       |
| Reverse polarity protection | built-in                      |
| Current consumption         | <8 mA                         |
| Current load capability     | 200 mA                        |
| Output function             | normally closed               |
| Short circuit protection    | built-in, self-resetting      |
| Voltage drop                | <1.5 V @ 200 mA               |
| Switching frequency         | 2000 Hz                       |
| Reduction factors           | Alu 0.45 · Brs 0.50 · SS 0.85 |
| Operating temperature       | -20...+70 °C · -3...+159 °F   |
| Protection class            | IP67                          |
| Sensing face material       | PBT                           |
| Housing material            | SS 1.4301                     |
| Switching indicator         | built-in                      |
| Connection                  | male connector M8             |
| Mounting clearance z        | 8 mm                          |
| Mounting clearance x        | 8 mm                          |
| Complies with               | CE, RoHS                      |

## Inductive Proximity Switch 2-Wire DC Sensing range: *Increased*

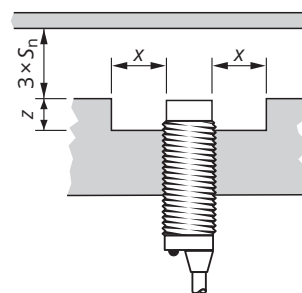


**25 months** **Warranty** Our products are manufactured to stringent ISO 9001 European standards to ensure that our customers only receive the best quality.

Wiring diagram



Clearance for parallel mounting



**⚠ Caution!** This device shall not be used if the safety of persons rely on its faultless function.

XECRO reserves the right to make minor changes without prior notification.