

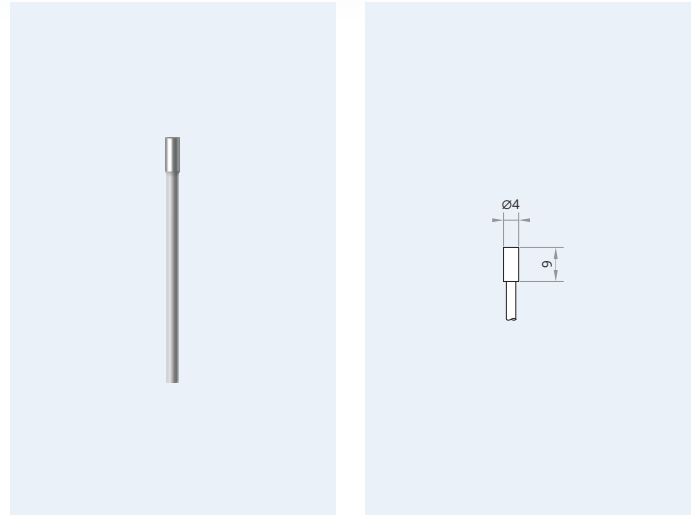
IPSD4-S08NA9-N2U

Mind O≠0, I≠I≠1, S≠5, B≠8.

Housing dimension	∅ 4 mm
Mounting	flush
Sensing distance S_n	0.8 mm
Operating voltage	6...12 V _{DC} , NAMUR
Reverse polarity protection	amplifier
Current consumption	>2.1 mA
Off-state current	<1.1 mA
Short circuit protection	amplifier
Voltage drop	amplifier
Switching frequency	2000 Hz
Reduction factors	Alu 0.45 · Brs 0.50 · SS 0.85
Operating temperature	-20...+70 °C · -3...+159 °F
Protection class	IP67
Sensing face material	PBT
Housing material	SS 1.4301
Switching indicator	amplifier
Connection	PUR, ultra-flex
Complies with	CE, RoHS



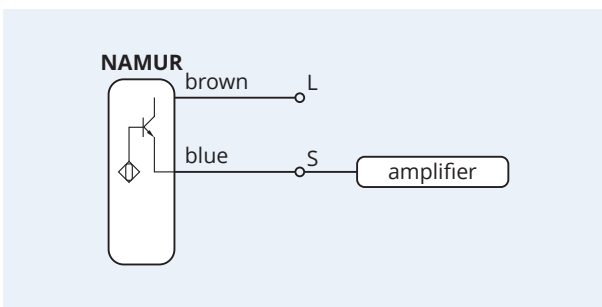
Inductive Proximity Switch 2-Wire NAMUR Sensing range: *Standard*



25
months

Warranty Our products are manufactured to stringent ISO 9001 European standards to ensure that our customers only receive the best quality.

Wiring diagram



Clearance for parallel mounting



Clearance for opposing mounting



⚠ Caution! This device shall not be used if the safety of persons rely on its faultless function.

XECRO reserves the right to make minor changes without prior notification.