

IPS40-S15ACL-PG13

Inductive Proximity Switch 2-Wire AC Sensing range: *Standard*

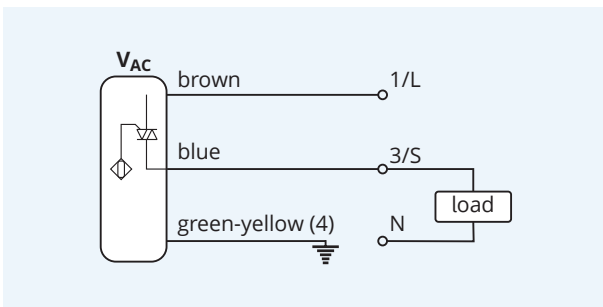
Mind O≠0, I≠I≠1, S≠5, B≠8.

| | |
|-----------------------------|-------------------------------|
| Housing dimension | 40×40 mm |
| Mounting | flush |
| Sensing distance S_n | 15 mm |
| Operating voltage | 20...250 V _{AC} |
| Reverse polarity protection | not required |
| Current consumption | <3 mA |
| Current load capability | 400 mA |
| Output function | normally closed |
| Voltage drop | <8 V @ 400 mA |
| Switching frequency | 25 Hz |
| Reduction factors | Alu 0.45 · Brs 0.50 · SS 0.85 |
| Operating temperature | -20...+70 °C · -3...+159 °F |
| Protection class | IP67 |
| Sensing face material | PBT |
| Housing material | PBT |
| Switching indicator | built-in |
| Connection | PG13.5, terminal |
| Complies with | CE, RoHS |

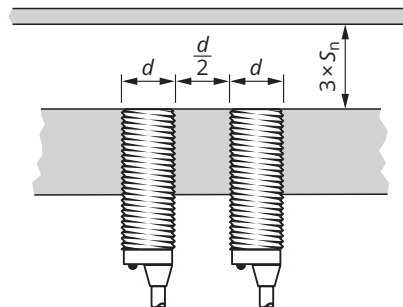


25 months **Warranty** Our products are manufactured to stringent ISO 9001 European standards to ensure that our customers only receive the best quality.

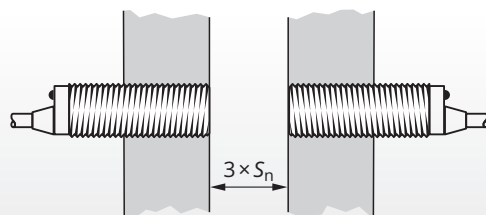
Wiring diagram



Clearance for parallel mounting



Clearance for opposing mounting



⚠ Caution! This device shall not be used if the safety of persons rely on its faultless function.

XECRO reserves the right to make minor changes without prior notification.