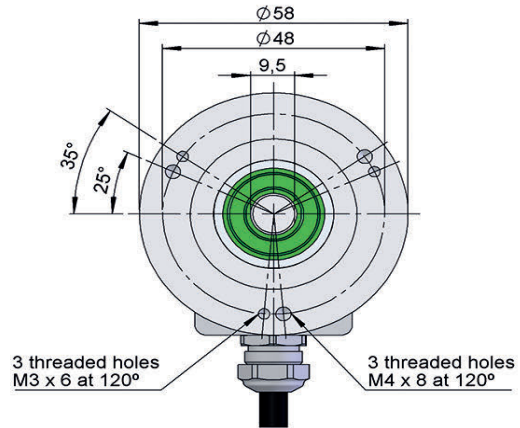
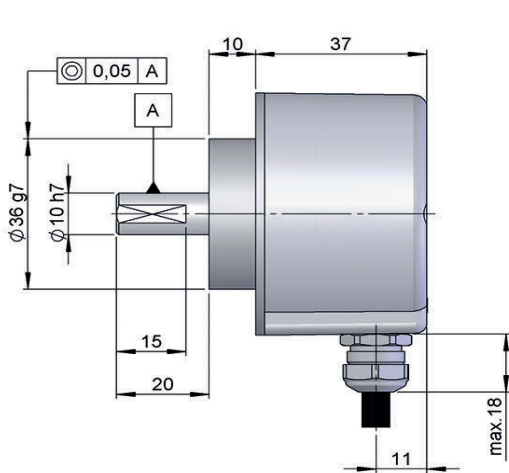
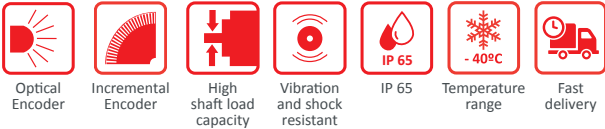




# SERIE 11

## INCREMENTAL SOLID SHAFT ENCODER LOW COST FOR INDUSTRIAL APPLICATIONS

- Any number of pulses available from 1 to 5.000 pulses
- External diameter 58 mm
- Shaft 10 mm
- Protection class IP65 according to DIN EN 60529
- Connection by cable (any cable length available)



Drawing shaft type 1, connection type 3, without flange

### REFERENCE

Reference example: 11-11639-1024

Serie	Shaft	Flange	Output signals	Connection	Power Supply / Electronic output	Pulses number	Special customer
11 -	<input type="checkbox"/>	<input type="checkbox"/>	<input type="checkbox"/>	<input type="checkbox"/>	<input type="checkbox"/> -	<input type="checkbox"/> <input type="checkbox"/> <input type="checkbox"/> <input type="checkbox"/> <input type="checkbox"/>	<input type="checkbox"/> <input type="checkbox"/> <input type="checkbox"/> <input type="checkbox"/> <input type="checkbox"/>
	1. Ø10x20 mm	1. None	1. A 2. A+B 3. A+B+0 5. A $\tilde{A}$ +B $\tilde{B}$ 6. A $\tilde{A}$ +B $\tilde{B}$ +0 9. A+B+0	3. Radial cable	0. 11...30V / NPN Open collector 11..30V 7. 5V / RS422 5V (compatible TTL) 9. 11..30V / Line driver differential Push-Pull 11..30V		ST00. -40°C

Order your reference  
Step file 3D  
info@encoderhohner.com  
service available in 24 h



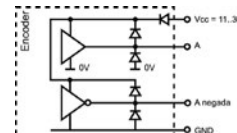
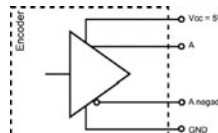
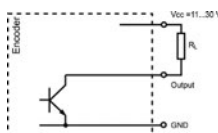
# SERIE 11

## INCREMENTAL SOLID SHAFT ENCODER LOW COST FOR INDUSTRIAL APPLICATIONS

### MECHANICAL SPECIFICATIONS

Materials	Cover: Aluminium Housing: Aluminium Shaft: Stainless Steel
Bearings	Ballraces
Bearings lifetime	1x10 <sup>10</sup> rev.
Maximum number of revolutions permitted mechanically	6000 rpm
Protection against dust and splashes according to DIN EN 60529	IP65
Rotor inertia moment	30 gcm <sup>2</sup>
Starting torque at 20°C (68°F)	Max. 2,0 Ncm
Maximum load permitted on axial shaft	40 N
Maximum load permitted on radial shaft	80 N
Weight aprox.	0,5 Kg
Operating temperature range	-20°C a +80°C - Standard -40°C a +80°C - Special Customer ST00
Vibration	100 m/s <sup>2</sup> (10Hz...2000Hz)
Shock	1000 m/s <sup>2</sup> (6ms)
Maximum pulses per turn	5000
Radial connection	Cable 2 meters (other cable lengths or connector mounted available on order)

### OUTPUT SIGNALS



OUTPUT CIRCUIT	NPN Open Collector	RS422 (TTL compatible)	Push-Pull Differential
Reference code	0	7	9
Power supply	11...30 V	5 V ±5%	11...30 V
Output voltage	11...30 V	5 V	11...30 V
Consumption	40 mA	Typical: 70 mA Max: 150 mA	Typical: 45 mA Max: 150 mA
Max. load capability	40 mA	±20 mA	±30 mA
Length of cable allowed	50 m (a 24 V)	1200 m	100 m
"Low" signal level	VOL < 0,4 V (a 24 V)	VOL < 0,5 V	VOL < 2.5 V
"High" signal level	VOH > 22 V (a 24 V)	VOH > 2.5 V	VOH > Vcc - 3 V
Frequency	100 kHz	300 kHz	200 kHz
Short circuit protection	Not permanent	Yes	Yes
Protection polarity inversion	Yes	No	Yes

Channel B leads (90° eléctricos) channel A, view from the shaft, shaft rotating clockwise

# SERIE 11

## INCREMENTAL SOLID SHAFT ENCODER LOW COST FOR INDUSTRIAL APPLICATIONS

### CONNECTION



	95.0008002 Cable 2x2x0,14+1x0,14	95.0008003 (* Cable 3x2x0,14+2x0,34
GND	Yellow	Black
Vcc	White	Red
A	Brown	Yellow
B	Green	Green
A inverted		Brown
B inverted		Blue
0 (reference)	Grey	Grey
0 inverted	Grey	Orange

(\* Cable 3x2x0,14+2x0,34 only for encoders with inverted signals.

### ACCESSORIES EXAMPLES



All the accessories available in the section "MOUNTING ACCESSORIES".