

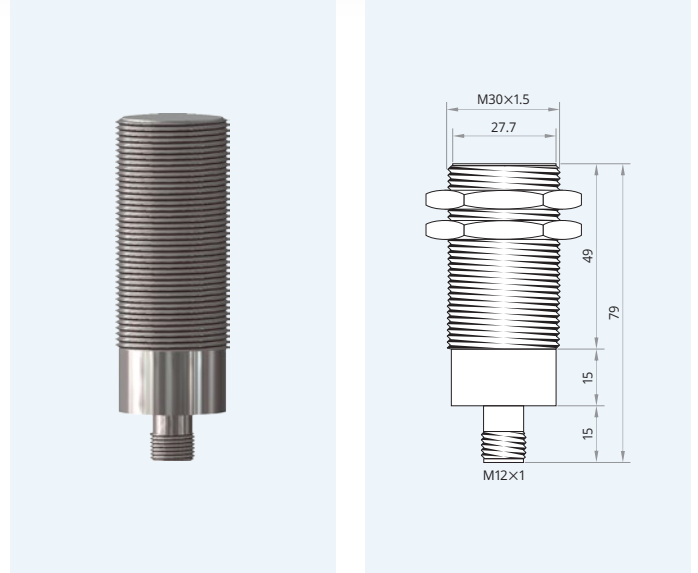
IA30-S20I420-N12

Mind O≠0, I≠I≠1, S≠5, B≠8.

Housing dimension	M30×1.5
Mounting	semi-flush
Measuring range	0...20 mm
Operating voltage	15...30 V _{DC}
Reverse polarity protection	built-in
Current consumption	<25 mA
Load resistor	≤500 Ω
Output characteristics	4...20 mA
Overload protection	built-in
Output frequency	≤300 Hz
Reduction factors	Alu 0.45 · Brs 0.50 · SS 0.85
Operating temperature	-20...+70 °C · -3...+159 °F
Protection class	IP67
Sensing face material	PBT
Housing material	brass
Connection	male connector M12
Mounting clearance z	35 mm
Mounting clearance x	38 mm
Complies with	CE, RoHS

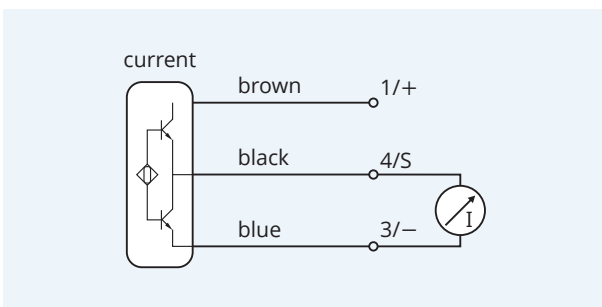


Inductive Proximity Switch 3-Wire Analog Output Sensing range: *Extended*

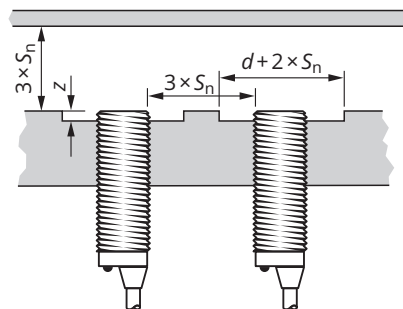


25 months **Warranty** Our products are manufactured to stringent ISO 9001 European standards to ensure that our customers only receive the best quality.

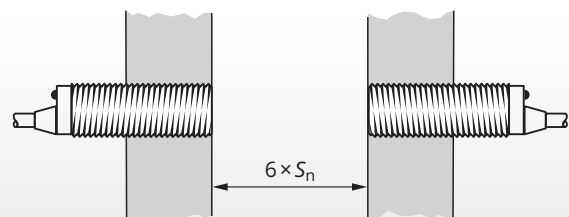
Wiring diagram



Clearance for parallel mounting



Clearance for opposing mounting



⚠ Caution! This device shall not be used if the safety of persons rely on its faultless function.

XECRO reserves the right to make minor changes without prior notification.