

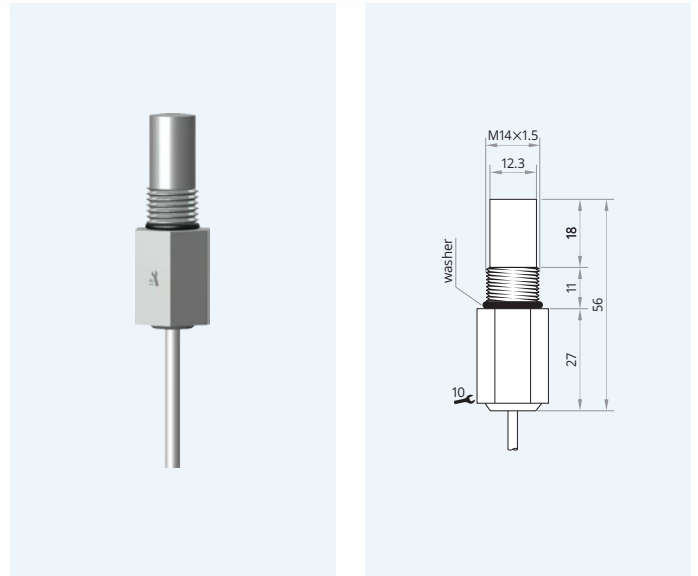
## IHP14-S3NO56S-N2P

Mind O≠0, I≠I≠1, S≠5, B≠8.

Housing dimension	M14×1
Mounting	flush
Sensing distance $S_n$	3 mm
Operating voltage	10...30 V <sub>DC</sub>
Reverse polarity protection	built-in
Current consumption	<8 mA
Current load capability	200 mA
Output function	normally open
Output polarity	NPN
Short circuit protection	built-in, self-resetting
Voltage drop	<1.5 V @ 200 mA
Switching frequency	500 Hz
Reduction factors	Alu 0.45 · Brs 0.50 · SS 0.85
Operating temperature	-20...+70 °C · -3...+159 °F
Protection class	IP69k, IP67 connector
Sensing face material	SS 1.4301
Housing material	SS 1.4301
Connection	PVC, ultra-flex
Complies with	CE, RoHS



## Inductive Proximity Switch 3-Wire DC High Pressure Proof Sensing range: *Standard*



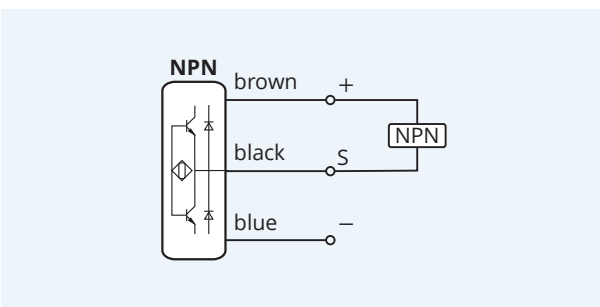
Maximum pressure: 1000 bar · 14503 psi

25

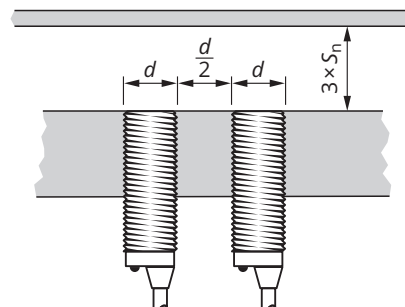
months

**Warranty** Our products are manufactured to stringent ISO 9001 European standards to ensure that our customers only receive the best quality.

Wiring diagram



Clearance for parallel mounting



Clearance for opposing mounting



Caution! This device shall not be used if the safety of persons rely on its faultless function.

XECRO reserves the right to make minor changes without prior notification.