

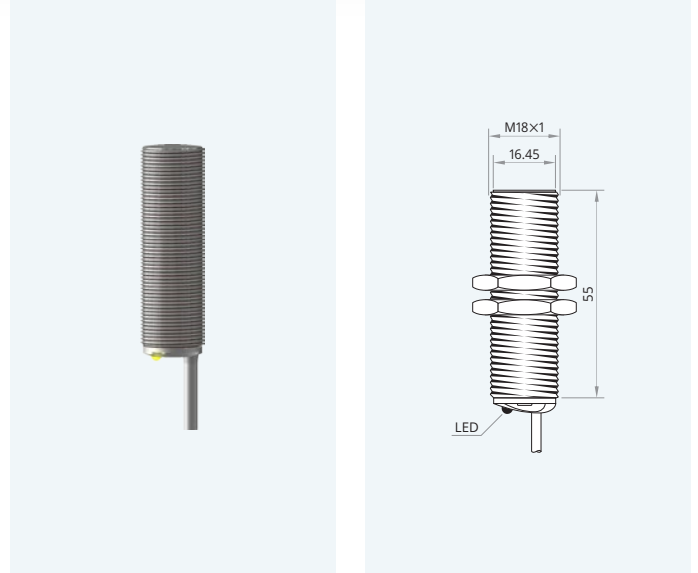
## IMF18-S8PC55-A2P

Mind O≠0, I≠I=1, S≠5, B≠8.

|                             |                               |
|-----------------------------|-------------------------------|
| Housing dimension           | M18×1                         |
| Mounting                    | flush                         |
| Sensing distance $S_n$      | 8 mm                          |
| Operating voltage           | 10...30 V <sub>DC</sub>       |
| Reverse polarity protection | built-in                      |
| Current consumption         | <8 mA                         |
| Current load capability     | 200 mA                        |
| Output function             | normally closed               |
| Output polarity             | PNP                           |
| Short circuit protection    | built-in, self-resetting      |
| Voltage drop                | <1.5 V @ 200 mA               |
| Switching frequency         | 400 Hz                        |
| Reduction factors           | Alu 0.45 · Brs 0.50 · SS 0.85 |
| Operating temperature       | -20...+70 °C · -3...+159 °F   |
| Protection class            | IP69k, IP67 rear end          |
| Sensing face material       | SS 1.4301                     |
| Housing material            | SS 1.4301                     |
| Switching indicator         | built-in                      |
| Connection                  | PVC, ultra-flex               |
| Complies with               | CE, RoHS                      |



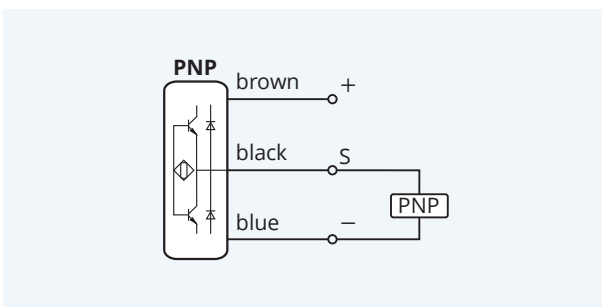
## Inductive Proximity Switch 3-Wire DC Metal Face Sensing range: *Increased*



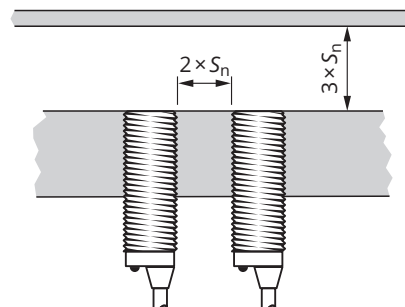
**25**  
months

**Warranty** Our products are manufactured to stringent ISO 9001 European standards to ensure that our customers only receive the best quality.

Wiring diagram



Clearance for parallel mounting



Clearance for opposing mounting



Caution! This device shall not be used if the safety of persons rely on its faultless function.

XECRO reserves the right to make minor changes without prior notification.