



EH88P INCREMENTAL ENCODERS



Ordering codes

In case of particular Customer variant separate by a full stop

EH 88 P 500 Z 5 L 50 X 3 P R . XXX

EH = incremental encoder EH series

88 = body dimension

P = with through hole

512 - 1024 imp./turn

Resolutions

N.B.: For available impulse contact directly our offices

S = without zero impulse

Z = with zero impulse

Zero impulse

5 = 5 Vdc

8 ÷ 24 = from 8 to 24 Vdc

Encoder power supply(Vdc)

XXX = Special Customer variants indicated by a number from 001 to 999

R = radial

P = output cable (standard length 0.5 m)

3 = 3000 max

R.P.M.

X = standard IP54

Protection

25 = ø25 mm

30 = ø30 mm

35 = ø35 mm

38 = ø38 mm

Shaft hole diameter

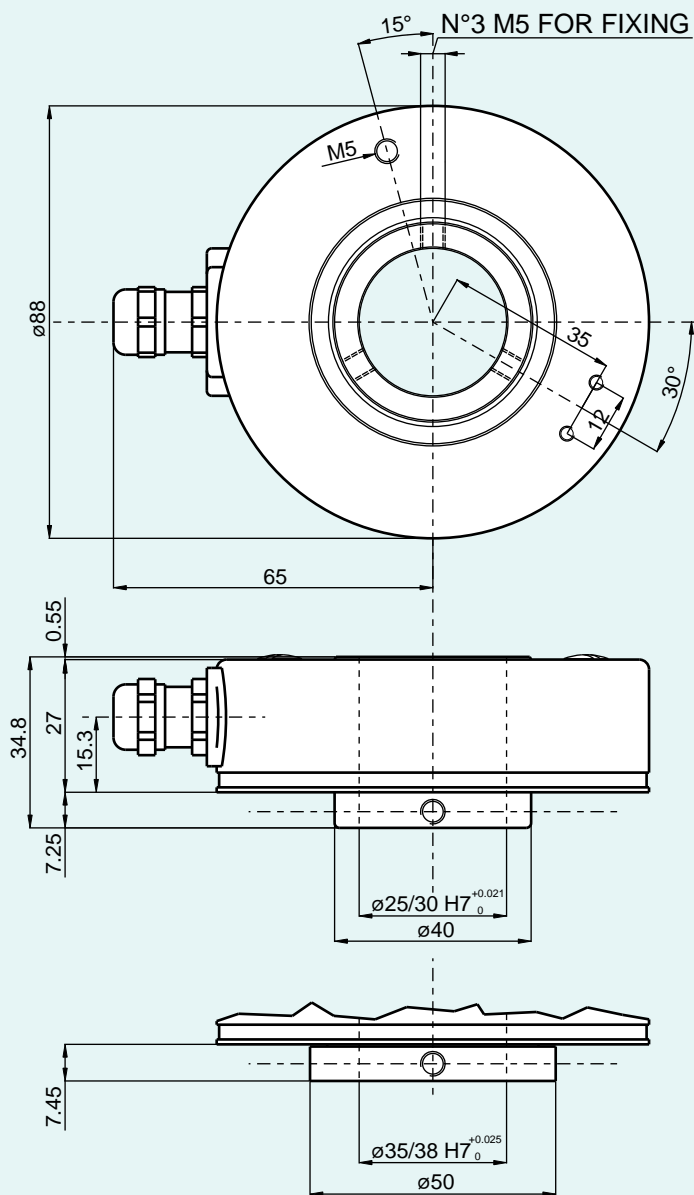
P = PUSH PULL

L = LINE DRIVER

Electronics output configuration

N.B.: For the optionals on the output configurations see the output incremental connections card

EH88



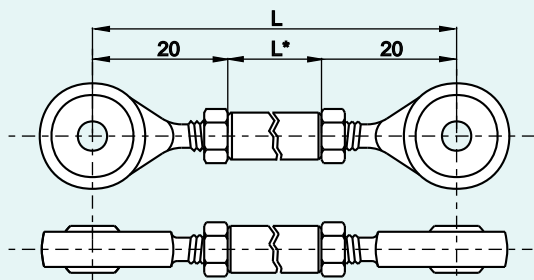
Electronic Characteristics

Resolutions	512 - 1024 impulses / turn
Power supply	5 Vdc / 8 ÷ 24 Vdc
Current consumption without load	50 mA bidirectional 100 mA bidirectional with zero
Max output current	50 mA for channel 20 mA for channel with LINE DRIVER
Electronic output configuration	LINE DRIVER / PUSH PULL
Max output frequency	Max 100 KHz $F = \frac{\text{RPM} \times \text{Resolutions}}{60}$

Mechanical characteristics

Shaft diameter (mm)	$\varnothing 25H7$ $\varnothing 30H7$ $\varnothing 35H7$ $\varnothing 38H7$
Protection	IP54 standard
R.P.M. Max	3000
Bearings	n°2 ball bearings
Shaft material	Stainless steel AISI303 for $\varnothing 35$ and $\varnothing 38$ Aluminium D11S UNI9002/5 per $\varnothing 25$ e $\varnothing 30$
Cover material	Aluminium
Operating Temperature	0° ÷ +60°C
Storage Temperature	-25° ÷ +70°C
Weight	350 g

Accessories



Available length

L* = 30 mm	Ordering code: SN5A30
L* = 60 mm	Ordering code: SN5A60
L* = 90 mm	Ordering code: SN5A90

