



CE

### Model Number

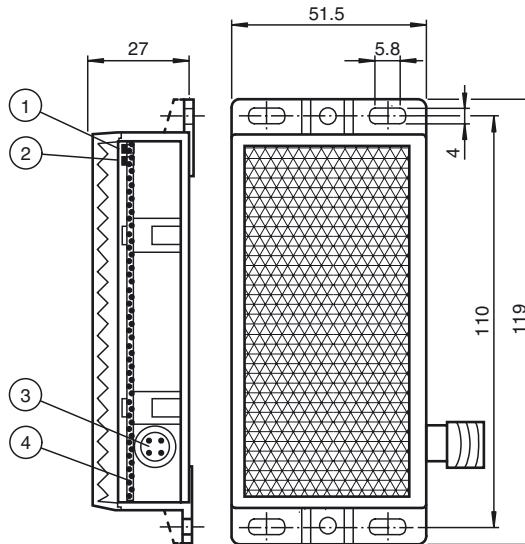
**REF-HEATER120**

Reflector, rectangular 120 mm x 51 mm, mounting holes, heatable 24 V DC

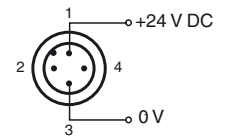
### Features

- Mounting holes for simple installation

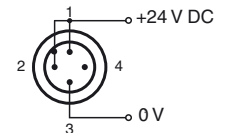
### Dimensions



electrical connection  
for internal reference temperature  
of approx. 38 °C



electrical connection  
for internal reference temperature  
of approx. 48 °C



1	Green LED, ready indicator
2	Red LED, lights up when heater is active
3	M12x1 plug, 4-pin
4	Temperature sensor

### Technical data

#### General specifications

Construction type	rectangular
-------------------	-------------

#### Electrical specifications

Operating voltage	$U_B$	24 V DC
Operating current	$I_B$	200 mA
Power consumption	$P_0$	max. 6 W

#### Ambient conditions

Ambient temperature	-20 ... 60 °C (-4 ... 140 °F)
---------------------	-------------------------------

#### Mechanical specifications

Connection	4-pin, M12 x 1 connector
Material	PMMA/ABS
Dimensions	119 mm x 51.5 mm x 27 mm
Mounting	mounting holes

#### CAUTION:

Mount the reflector on a fireproof surface.

Do **not** use the reflector in potentially explosive spaces or near combustibles.