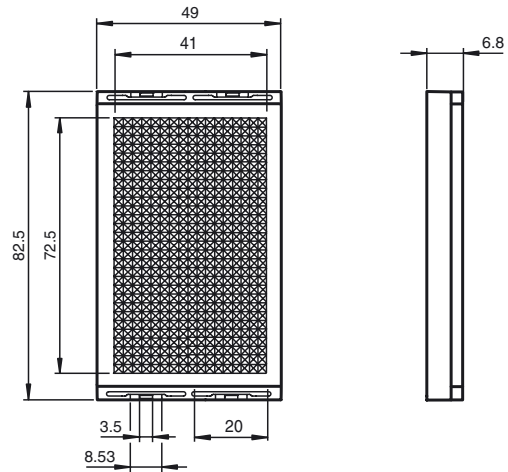




Dimensions



Model Number

REF-H88x50

Reflector

Features

- Rectangular design

Technical data

General specifications

Construction type rectangular

Ambient conditions

Ambient temperature -20 ... 60 °C (-4 ... 140 °F)

Mechanical specifications

Material PMMA/ABS

Dimensions 87.3 mm x 50 mm x 15.5 mm

Mounting Mounting bracket for wall mounting included in the scope of delivery