



**Model Number**

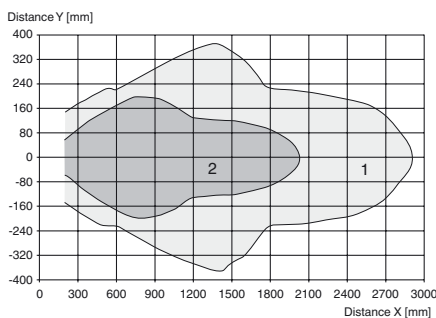
UC1500-F65-E8R2-V15

**Features**

- Level indication
- 2 switch outputs
- Program input
- Programmable by means of Interface (see accessories) and SONPROG
- Synchronization options
- Temperature compensation

**Diagrams**

**Characteristic response curve**



Curve 1: flat surface 100 mm x 100 mm  
Curve 2: round bar, Ø 25 mm

**Technical data**

**General specifications**

Sensing range	200 ... 1500 mm
Adjustment range	200 ... 1500 mm
Dead band	0 ... 200 mm
Standard target plate	20 mm x 20 mm
Transducer frequency	approx. 200 kHz

**Nominal ratings**

Time delay before availability $t_v$	250 ms
--------------------------------------	--------

**Limit data**

Permissible cable length	max. 300 m
--------------------------	------------

**Indicators/operating means**

LED green	Power on
LED yellow 1	solid: switching state switch output 1 flashing: misadjustment
LED yellow 2	solid: switching state switch output 2 flashing: misadjustment

**Electrical specifications**

Rated operating voltage $U_e$	24 V DC
Operating voltage $U_B$	12 ... 30 V (including ripple) In supply voltage interval 12 ... 20 V sensitivity reduced to 20% ... 0%
Ripple	≤ 10 %
No-load supply current $I_0$	≤ 60 mA

**Input**

Input type	1 program input Teach-In of $S_{min}$
Input voltage	≤ Operating voltage
Level	low level : 0 ... 3 V (Teach-In active) high level : ≥ 15 V (Teach-In inactive)
Pulse length	≥ 150 ms

**Output**

Output type	2 switch outputs PNP, NO
Rated operating current $I_e$	150 mA , short-circuit/overload protected
Default setting	Switching distance "full", $S_{max}$ : 250 mm Switching distance "empty", $S_{min}$ : 1400 mm Switching hysteresis "full", $H_{Smax}$ : 50 mm Switching hysteresis "empty", $H_{Smin}$ : 100 mm average value "full", $M_{Smax}$ : 20 average value "empty", $M_{Smin}$ : 110

Voltage drop $U_d$	≤ 3 V
Switch-on delay $t_{on}$	110 ms
Repeat accuracy	± 2 mm
Off-state current $I_r$	0.01 mA
Temperature influence	≤ ± 1.5 %

**Ambient conditions**

Ambient temperature	-25 ... 70 °C (-13 ... 158 °F)
Storage temperature	-40 ... 85 °C (-40 ... 185 °F)
Shock resistance	30 g , 11 ms period
Vibration resistance	10 ... 55 Hz , Amplitude ± 1 mm

**Mechanical specifications**

Connection type	Connector plug M12 x 1 , 5-pin
Degree of protection	IP65
Material	
Housing	PBT
Transducer	epoxy resin/hollow glass sphere mixture; polyurethane foam
Installation position	any position
Mass	500 g

**Compliance with standards and directives**

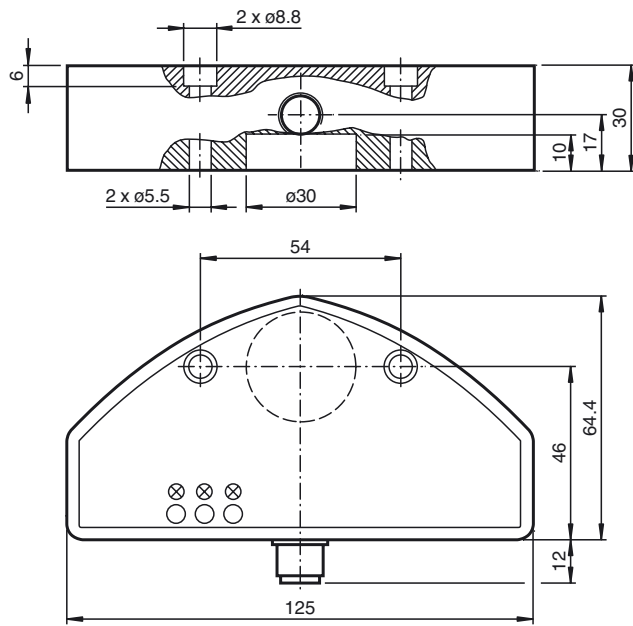
Standard conformity	
Standards	EN 60947-5-2:2007+A1:2012 IEC 60947-5-2:2007 + A1:2012

**Approvals and certificates**

UL approval	cULus Listed, General Purpose
CSA approval	cCSAus Listed, General Purpose
CCC approval	CCC approval / marking not required for products rated ≤36 V

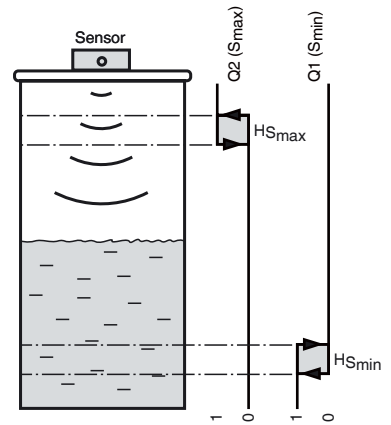
Release date: 2019-02-11 12:04 Date of issue: 2019-02-11 235139\_eng.xml

Dimensions

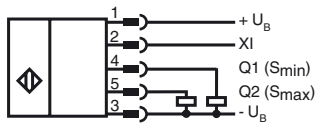


Additional Information

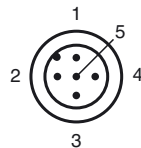
Function of the switching outputs



Electrical Connection



Pinout



Wire colors in accordance with EN 60947-5-2

1	BN	(brown)
2	WH	(white)
3	BU	(blue)
4	BK	(black)
5	GY	(gray)

## Accessories

### V15-G-2M-PUR

Female cordset, M12, 5-pin, PUR cable

### V15-G-2M-PVC

Female cordset, M12, 5-pin, PVC cable

### V15-W-2M-PVC

Female cordset, M12, 5-pin, PVC cable

### 3RX4000-PF

PC interface

## Applications

The design and functionality makes this sensor best suitable for level detection applications in small containers or tanks. The device provides 2 switching outputs Q1 ( $S_{min}$ ) and Q2 ( $S_{max}$ ). Special distances can be assigned to each of them - e. g. the minimum and maximum levels in a tank can be evaluated and displayed. The parameters can be programmed with SONPROG or with an automatic setup (Teach-In).

## Mounting and Connection

All parts are accommodated in a fully enclosed housing. The ultrasonic transducer is set back in the housing, so it is protected. Because of the built-in sealing the sensor can be used as a closure with integrated level detection. The opening of the tank must have a diameter of 26 mm. The sensor is fixed by means of two M5 screws. The sensor has a 5 pin M12 x 1 connector. The BERO has built-in polarity reversal as well as short-circuit and overload protection. Where there is electrical interference, shielded cables are recommended.

## Setup

The two ranges, the associated hysteresis and the average value are preset at the factory (see technical data). The parameters can be programmed with SONPROG or with an automatic setup (teach-in). Teach-in can be done by means of the keys of the interface (accessories) or the function input XI.

### Automatic Setup (Teach-in)

With this function the minimum level  $S_{min}$  can be set. The following steps must be performed in the correct order:

1. Fill the tank up to the required minimum level or place an object at the required distance.
2. Apply "low" signal (0 to 3 V) to the function input XI - e.g. connect XI via a key to 0 V, or connect it via a PLC to "LOW". The LED " $S_{min}$ " flashes, then. The sensor is disabled; it's learning the distance. The signal duration must be at least 150 ms.
3. Remove signal from XI - e.g. disconnect it from the function input XI, connect it to  $+U_B$  or connect it via a PLC to "HIGH".

**Important!** As long as the function input XI is connected to "low", the sensor is disabled.

### SONPROG

With SONPROG the following parameters can be programmed:

- Start or end of both switching ranges  $S_{min}$  and  $S_{max}$
- Hysteresis ( $HS_{max}$ ,  $HS_{min}$ )
- Blind zone
- Sensing range
- Average value
- Switching output  $S_{min}$  NC / NO

Customer specific programming is available on request.

## Operation

The level of liquid inside a tank is detected within the sensing range. If the level reaches one of the two switching levels ( $S_{min}$ ,  $S_{max}$ ), then the corresponding output will be set active. Both switching levels are equipped with a switching hysteresis ( $HS_{min}$ ,  $HS_{max}$ ). The switching status of each output is indicated by the corresponding yellow LED. If the filling level is in between the 2 switching levels, both of the outputs are in off state.

Objects inside the blind zone will cause error signals. Therefore the user has to mount the sensor that way that the level cannot be inside the blind zone.