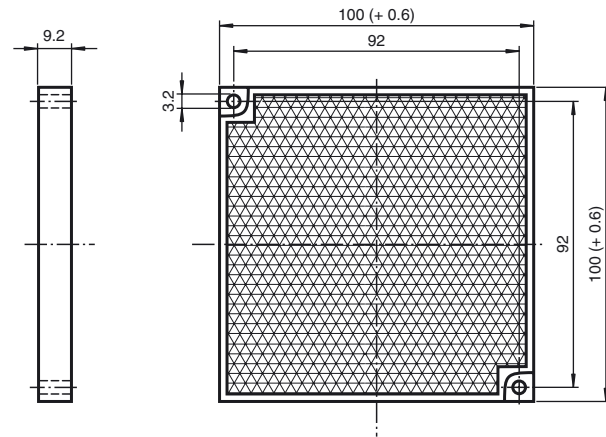


## Dimensions



### Model Number

**REF-H100F**

Reflector, rectangular 100 mm x 100 mm, mounting holes

### Features

- Mounting holes for simple installation
- Chemical-resistant
- tested by TÜV

## Technical data

### General specifications

Construction type rectangular

### Ambient conditions

Ambient temperature -25 ... 50 °C (-13 ... 122 °F)

### Mechanical specifications

Degree of protection IP69K

Material SC

Dimensions 100 mm x 100 mm x 9.2 mm

Mounting mounting holes