



Model Number

UCC4000-50GK-B26-8MOL

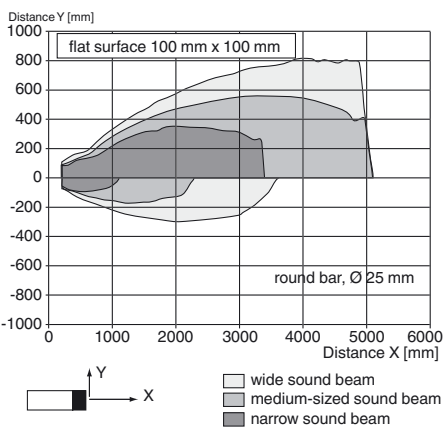
Single head system

Features

- Thread M50
- PTFE coated transducer
- Power save mode
- PWM output
- Physical LIN interface
- Serial Interfaces
- Temperature compensation

Diagrams

Characteristic response curve

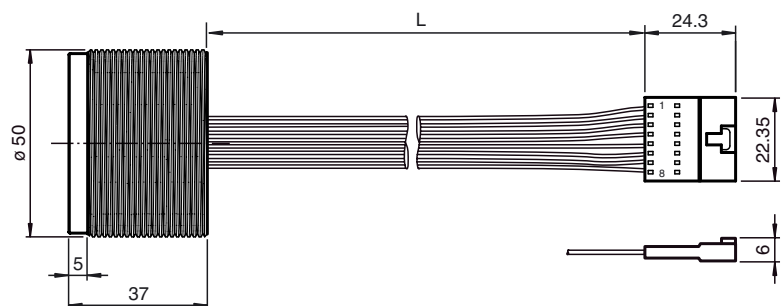


Release date: 2018-11-08 08:47 Date of issue: 2018-11-08 312898_eng.xml

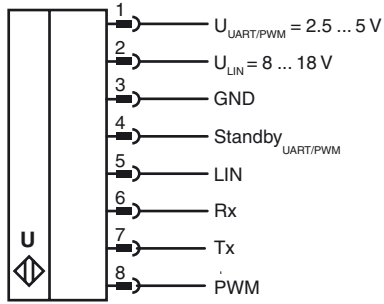
Technical data

General specifications	
Sensing range	250 ... 4000 mm
Dead band	0 ... 250 mm
Standard target plate	100 mm x 100 mm
Transducer frequency	approx. 75 kHz
Electrical specifications	
Operating voltage U_B	for UART and PWM operation: $U_{UART/PWM} = 2.5 \dots 5 \text{ V DC}$, typical 3.3 V for LIN operation: $U_{LIN} = 8 \dots 18 \text{ V DC}$, typical 12 V
No-load supply current I_0	$\leq 60 \text{ mA}$ at 3.3 V DC $\leq 20 \text{ mA}$ at 12 V DC
Quiescent current indication	$< 3 \mu\text{A}$ during standby mode at UART- and PWM operation
Power consumption P_0	$\leq 250 \text{ mW}$ in the measurement operating mode
Time delay before availability t_v	$\leq 95 \text{ ms}$
Interface 1	
Interface type	Physical LIN interface
Transfer rate	19.2 kBit/s (8N1)
Cycle time	80 ms
Resolution	16 mm (corresponding to 1 LSB)
Interface 2	
Interface type	UART 3.3V
Transfer rate	19.2 kBit/s (8N1)
Cycle time	80 ms
Resolution	16 mm (corresponding to 1 LSB)
Input	
Input type	Standby active
Signal level	low: 0 ... 0.8 V
Output	
Output type	PWM output (PNP) , not short-circuit protected
Resolution	pulse length 10 $\mu\text{s/cm}$
Output rated operating current	$\leq 10 \text{ mA}$
Temperature influence	3 % of full-scale value over the entire temperature range
Directive conformity	
Electromagnetic compatibility Directive 2014/30/EU	EN 60947-5-2:2007+A1:2012 : chapter 8.6.2.1, 8.6.2.2, 8.6.3 The sensor is designed to be supplied by a battery. The sensor signals are further processed in a control unit, which is also responsible for EMC protection.
Ambient conditions	
Ambient temperature	-25 ... 70 °C (-13 ... 158 °F)
Storage temperature	-40 ... 85 °C (-40 ... 185 °F)
Mechanical specifications	
Connection type	cable L = 276 mm \pm 20 mm with Molex connector 70107-0007, 8-pin
Degree of protection	IP66 / IP67 (connector excluded)
Material	
Housing	PBT
Transducer	epoxy resin/hollow glass bead mixture; Polyurethane foam, PTFE coated
Mass	
	100 g
Factory settings	
Output	PWM output (PNP) Temperature compensation Address setting 7
Beam width	
	wide
General information	
Scope of delivery	2 nuts plastic

Dimensions



Electrical Connection



Release date: 2018-11-08 08:47 Date of issue: 2018-11-08 312898_eng.xml