

Reflex Sensor with Background Suppression

OHN252B0003

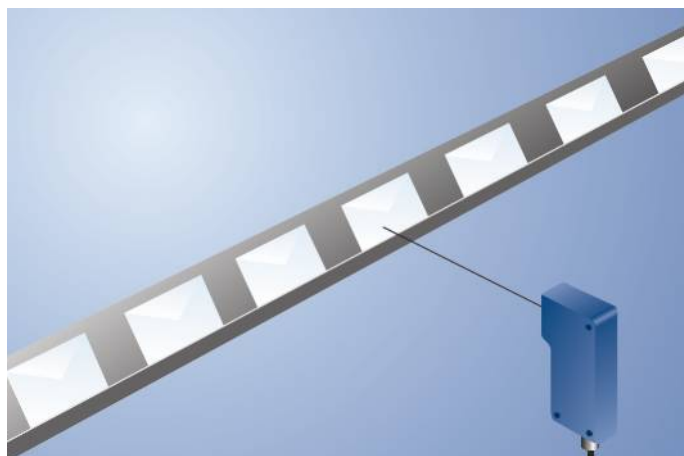
Part Number

LASER



- Special coated optics
- Stainless steel plug (V2A)
- Switching frequency: 600 Hz

These sensors detect distance by measuring angles. They are particularly good at recognizing objects in front of any background. The color, shape and surface characteristics of the object have practically no influence on sensor switching performance.

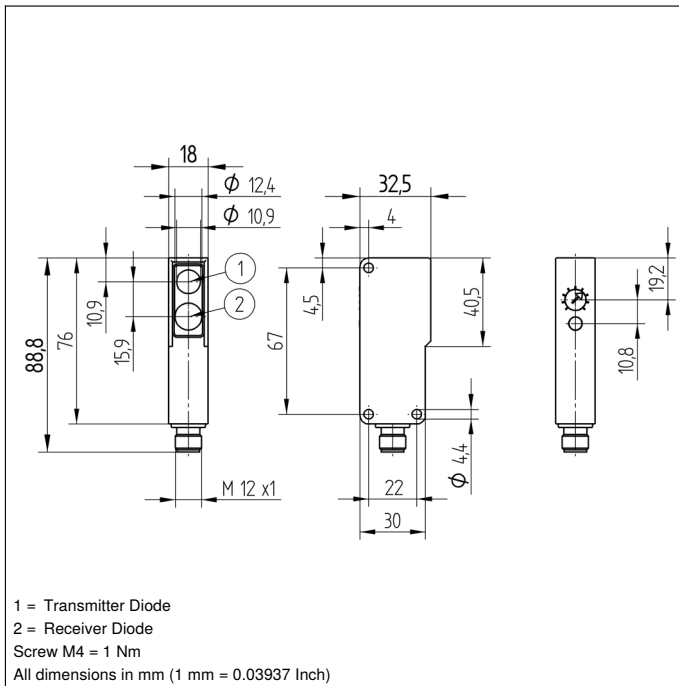


Technical Data

Optical Data	
Range	250 mm
Adjustable Range	65...250 mm
Switching Hysteresis	< 1 %
Light Source	Laser (red)
Wavelength	655 nm
Service Life (T = +25 °C)	100000 h
Laser Class (EN 60825-1)	1
Max. Ambient Light	10000 Lux
Light Spot Diameter	see Table 1
Electrical Data	
Supply Voltage	10...30 V DC
Current Consumption (U _b = 24 V)	< 20 mA
Switching Frequency	600 Hz
Response Time	833 μs
Temperature Drift	< 2 %
Temperature Range	-25...60 °C
Switching Output Voltage Drop	< 2,5 V
PNP Switching Output/Switching Current	200 mA
Contamination Output Voltage Drop	< 2,5 V
PNP Contamination Output/Switching Current	50 mA
Short Circuit Protection	yes
Reverse Polarity Protection	yes
Overload Protection	yes
Protection Class	III
FDA Accession Number	1120736-000
Mechanical Data	
Setting Method	Potentiometer
Housing Material	Plastic
Coated Optics	yes
Degree of Protection	IP67
Connection	M12 × 1; 4-pin
Safety-relevant Data	
MTTFd (EN ISO 13849-1)	1932,89 a
Contamination Output	●
PNP NO	●
Connection Diagram No.	103
Control Panel No.	N3
Suitable Connection Equipment No.	2
Suitable Mounting Technology No.	350

Complementary Products

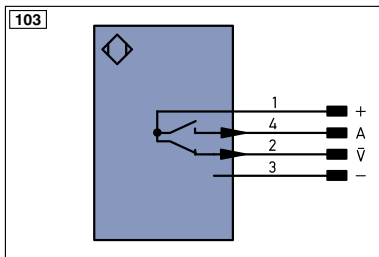
Dust Extraction Tube STAUBTUBUS-03
PNP-NPN Converter BG2V1P-N-2M
Set Protective Housing ZSN-NN-02



Ctrl. Panel



05 = Switching Distance Adjuster
 30 = Switching Status/Contamination Warning



Legend					
+	Supply Voltage +	PT	Platinum measuring resistor	EN ^A RS422	Encoder A/Ā (TTL)
-	Supply Voltage 0 V	nc	not connected	EN ^B RS422	Encoder B/B̄ (TTL)
~	Supply Voltage (AC Voltage)	U	Test Input	EN ^A	Encoder A
A	Switching Output (NO)	Ū	Test Input inverted	EN ^B	Encoder B
Ā	Switching Output (NC)	W	Trigger Input	A _{MIN}	Digital output MIN
V	Contamination/Error Output (NO)	W-	Ground for the Trigger Input	A _{MAX}	Digital output MAX
V̄	Contamination/Error Output (NC)	O	Analog Output	A _{OK}	Digital output OK
E	Input (analog or digital)	O-	Ground for the Analog Output	SY _{in}	Synchronization In
T	Teach Input	BZ	Block Discharge	SY _{OUT}	Synchronization OUT
Z	Time Delay (activation)	A _{MV}	Valve Output	OL _T	Brightness output
S	Shielding	a	Valve Control Output +	M	Maintenance
RxD	Interface Receive Path	b	Valve Control Output 0 V	rsv	reserved
TxD	Interface Send Path	SY	Synchronization	Wire Colors according to DIN IEC 757	
RDY	Ready	SY-	Ground for the Synchronization	BK	Black
GND	Ground	E+	Receiver-Line	BN	Brown
CL	Clock	S+	Emitter-Line	RD	Red
E/A	Output/Input programmable	±	Grounding	OG	Orange
	IO-Link	S _n R	Switching Distance Reduction	YE	Yellow
PoE	Power over Ethernet	Rx+/-	Ethernet Receive Path	GN	Green
IN	Safety Input	Tx+/-	Ethernet Send Path	BU	Blue
OSSD	Safety Output	Bus	Interfaces-Bus A(+)/B(-)	VT	Violet
Signal	Signal Output	L _a	Emitted Light disengageable	GY	Grey
Bl_D+/-	Ethernet Gigabit bidirect. data line (A-D)	Mag	Magnet activation	WH	White
EN ⁰ RS422	Encoder 0-pulse 0-0̄ (TTL)	RES	Input confirmation	PK	Pink
		EDM	Contactur Monitoring	GNYE	Green/Yellow

Table 1

Detection Range	60 mm	125 mm	250 mm
Light Spot Diameter	3 mm	2,5 mm	2,5 mm

Switching Distance Deviation

Typical characteristic curve based on white, 90 % remission

