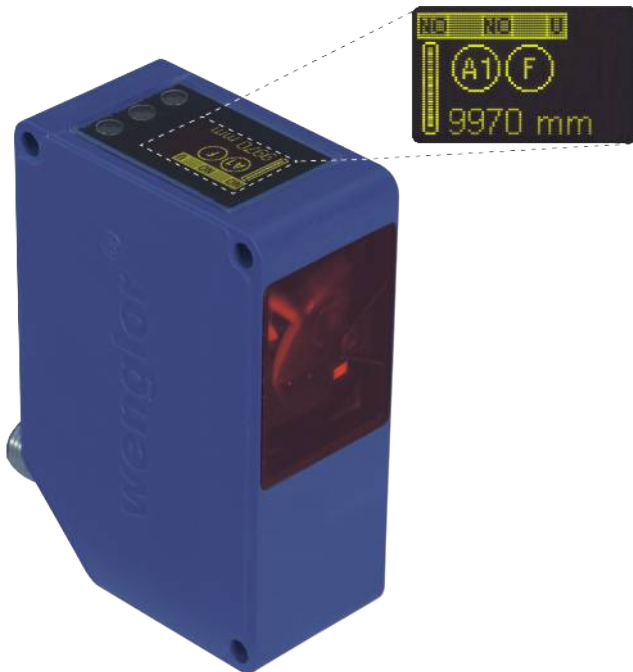


# High-Performance Distance Sensor

## X1TA100QXT3

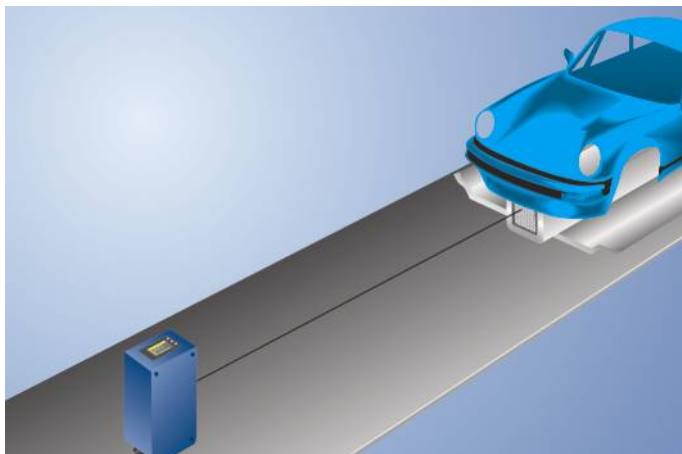
### LASER

Part Number



- Emitted light disengageable
- Graphical display for easy operation
- Switching output A1 as analog output switchable (0...10 V/4...20 mA)
- Temperature drift eliminable

These sensors have scratch-resistant optics and the emitted light can be switched off. They use the transit time measurement principle to measure the distance between the sensor and the object. Using a suitable reflector at the object, a highly accurate position measurement at large distances is also possible. The configurations are selected using a menu and can be protected by a password.



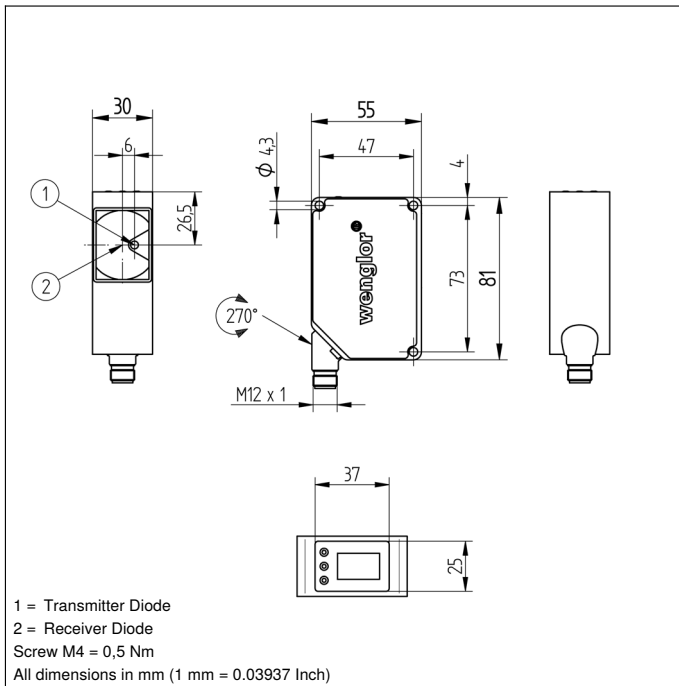
### Technical Data

Optical Data	
Working Range	0,1...10,2 m
Analog Working Range	0,2...10,2 m
Measuring Range	10 m
Reference Reflector/Reflector Foil	RF508
Resolution	2...6 mm
Linearity	0,5 %
Switching Hysteresis	3...20 mm
Light Source	Laser (red)
Wavelength	660 nm
Service Life (T = +25 °C)	100000 h
Laser Class (EN 60825-1)	1
Max. Ambient Light	10000 Lux
Beam Divergence	< 2 mrad
Reflector required	yes
Electrical Data	
Supply Voltage	18...30 V DC
Current Consumption (U <sub>b</sub> = 24 V)	< 100 mA
Switching Frequency	50 Hz
Measuring Rate	1...100 /s
Response Time	10...200 ms
On-/Off-Delay	0...10000 ms
Temperature Drift (-10 °C < T <sub>u</sub> < 50 °C)	< 0,2 mm/K
Temperature Drift (T <sub>u</sub> < -10 °C, T <sub>u</sub> > 50 °C)	< 0,4 mm/K
Temperature Range	-25...60 °C
Number of Switching Outputs	2
Switching Output Voltage Drop	< 2,5 V
Switching Output/Switching Current	200 mA
Analog Output	0...10 V/4...20 mA
Short Circuit Protection	yes
Reverse Polarity and Overload Protection	yes
Protection Class	III
FDA Accession Number	0920382-000
Mechanical Data	
Setting Method	Menu (OLED)
Housing Material	Plastic
Degree of Protection	IP68
Connection	M12 × 1; 4-pin
Safety-relevant Data	
MTTFd (EN ISO 13849-1)	346,68 a
Error Output	●
Configurable as PNP/NPN/Push-Pull	●
Analog Output	●
Connection Diagram No.	755
Control Panel No.	TA1
Suitable Connection Equipment No.	2
Suitable Mounting Technology No.	340

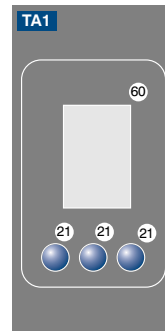
Display brightness may decrease with age. This does not result in any impairment of the sensor function.

### Complementary Products

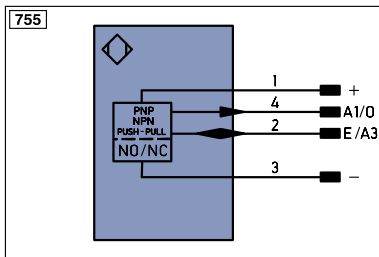
Analog Evaluation Unit AW02
Reflector, Reflector Foil
Set Protective Housing ZST-NN-02



### Ctrl. Panel



21 = Mode Button  
 60 = Display



Legend					
+	Supply Voltage +	PT	Platinum measuring resistor	EN <sup>A/RS422</sup>	Encoder A/Ā (TTL)
-	Supply Voltage 0 V	nc	not connected	EN <sup>B/RS422</sup>	Encoder B/B̄ (TTL)
~	Supply Voltage (AC Voltage)	U	Test Input	EN <sup>A</sup>	Encoder A
A	Switching Output (NO)	Ū	Test Input inverted	EN <sup>B</sup>	Encoder B
Ā	Switching Output (NC)	W	Trigger Input	A <sup>MIN</sup>	Digital output MIN
V	Contamination/Error Output (NO)	W-	Ground for the Trigger Input	A <sup>MAX</sup>	Digital output MAX
Ṽ	Contamination/Error Output (NC)	O	Analog Output	A <sup>OK</sup>	Digital output OK
E	Input (analog or digital)	O-	Ground for the Analog Output	SY <sup>in</sup>	Synchronization In
T	Teach Input	BZ	Block Discharge	SY <sup>OUT</sup>	Synchronization OUT
Z	Time Delay (activation)	A <sup>MV</sup>	Valve Output	OL <sup>T</sup>	Brightness output
S	Shielding	a	Valve Control Output +	M	Maintenance
RxD	Interface Receive Path	b	Valve Control Output 0 V	rsv	reserved
TxD	Interface Send Path	SY	Synchronization	Wire Colors according to DIN IEC 757	
RDY	Ready	SY-	Ground for the Synchronization	BK	Black
GND	Ground	E+	Receiver-Line	BN	Brown
CL	Clock	S+	Emitter-Line	RD	Red
E/A	Output/Input programmable	⊕	Grounding	OG	Orange
	IO-Link	S <sup>nR</sup>	Switching Distance Reduction	YE	Yellow
PoE	Power over Ethernet	Rx+/-	Ethernet Receive Path	GN	Green
IN	Safety Input	Tx+/-	Ethernet Send Path	BU	Blue
OSSD	Safety Output	Bus	Interfaces-Bus A(+)/B(-)	VT	Violet
Signal	Signal Output	L <sup>a</sup>	Emitted Light disengageable	GY	Grey
Bl_D+/-	Ethernet Gigabit bidirect. data line (A-D)	Mag	Magnet activation	WH	White
EN <sup>0/RS422</sup>	Encoder 0-pulse 0-0̄ (TTL)	RES	Input confirmation	PK	Pink
		EDM	Contactur Monitoring	GNYE	Green/Yellow

Table 1

Working Distance	0 m	10 m
Light Spot Diameter	5 mm	< 20 mm

### Feasible reflector distance

Reflector type, mounting distance

RF505	0,1...10 m	ZRAF07K01	0,1...10 m
RF508	0,1...10 m	ZRAF08K01	0,1...10 m
RF258	0,1...10 m	ZRDF_K01	0...10 m

