

Reflector

61 × 51,5 × 7 mm

ZRME03B01

Part Number

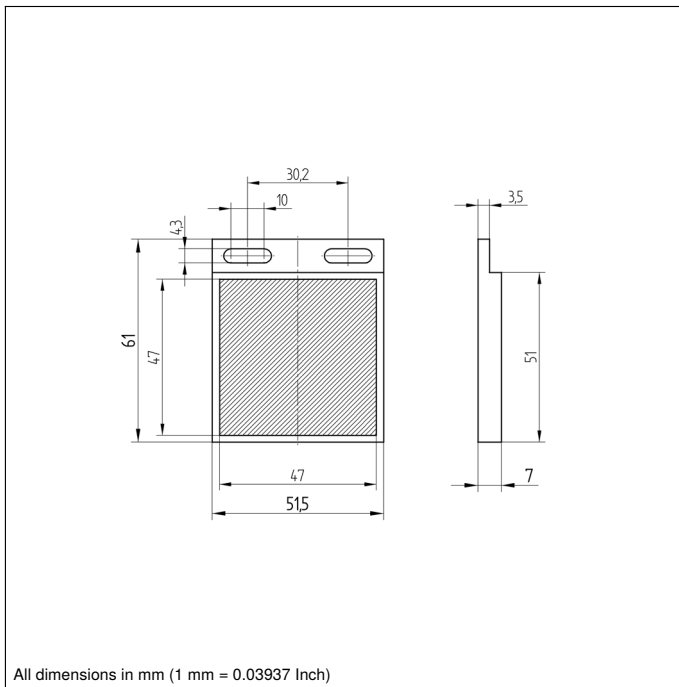


Technical Data

Mechanical Data

Structure	Microstructure
Mounting Type	Fixing Holes
Material	Plastic, chemically resistant
Degree of Protection	IP68/IP69K
Temperature Range	-20...150 °C
Packaging unit	1 Piece
Detergent resistant	●
Anti-Fog*	●
Suitable Mounting Technology No.	390

- Anti-Fog*
- Microstructure, with fixing holes
- Resistant to cleaning agents
- Waterproof (IP68/IP69K)



All dimensions in mm (1 mm = 0.03937 Inch)

* coating is not permanently resistant to cleaning