

# Reflex Sensor for Roller Conveyor Systems

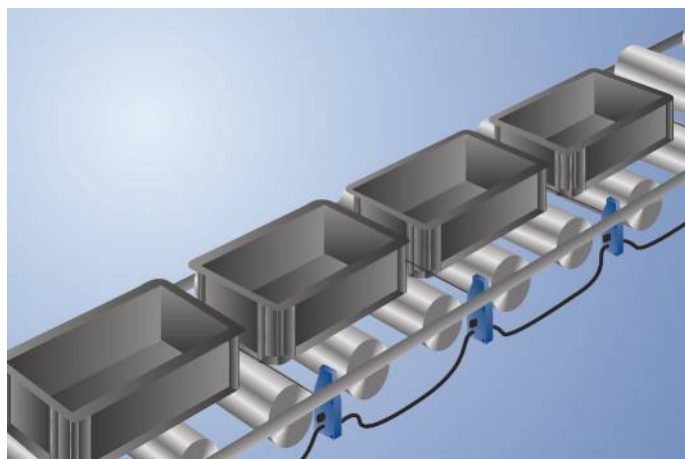
## OPT1542

Part Number



- Energy savings thanks to EcoMode
- Increased capacity thanks to intelligent functions
- Optimized performance
- Time-saving initial start-up with fast-clip mounting system and quick wiring
- Wireless settings via NFC

These sensors have been specially designed for use in accumulation roller conveyors. Their compact design allows for installation between rollers below the transport level. High-precision background suppression makes it possible to reliably detect even black objects at up to 900 mm. Settings are entered via wireless NFC, which is even possible in the de-energized state. Thanks to the innovative fast-clip mounting system and quick wiring, the sensors are installed and ready for use in no time flat.



### Technical Data

Optical Data	
Range	900 mm
Switching Hysteresis	< 5 %
Light Source	Infrared Light
Wavelength	860 nm
Service Life (T = +25 °C)	100000 h
Risk Group (EN 62471)	1
Max. Ambient Light	90000 Lux
Opening Angle	3 °

Electrical Data	
Supply Voltage	20,6...30 V DC
Current Consumption Sensor (U <sub>b</sub> = 24 V)	< 16 mA
EcoMode	yes
Switching Frequency	100 Hz
Response Time	5 ms
Temperature Drift	< 5 %
Temperature Range	-40...60 °C
Number of Switching Outputs	2
Switching Output Voltage Drop	< 0,9 V
PNP Switching Output/Switching Current	200 mA
Short Circuit Protection	yes
Reverse Polarity Protection	yes
Overload Protection	yes
Logic	yes
Single Discharge	yes
Block Forwarding	yes
Solenoid Valve	yes
Automatic Roller Shutdown	yes
Protection Class	III

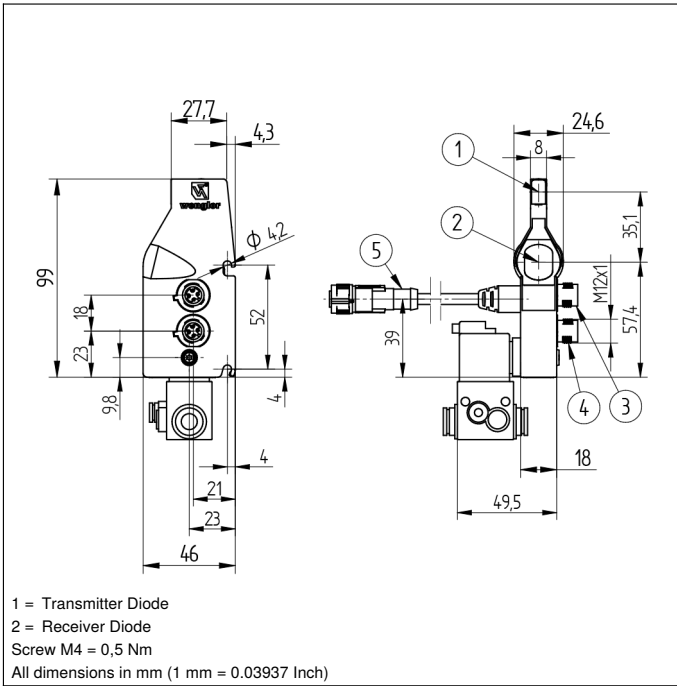
Mechanical Data	
Setting Method	NFC
Housing Material	Plastic
Degree of Protection	IP65
Connection	M12 × 1; 4-pin
Cable Length	200 cm

Pneumatic Solenoid Valve Unit	
Valve no.	K04
Supply Voltage Valve	19,2...28,8 V
Current Consumption Valve	86 mA
Valve temperature range	-15...50 °C
Operating Pressure	4...7 bar
Nominal Width	0,8 mm
Nominal flow rate 1 -> 2	20 NL/min
Nominal flow rate 2 -> 3	100 NL/min
Supply-Line Connector Pipe	2 × 8 × 1
Working-Line Connector Pipe	4 × 1
Valve function	3/2-Way
Switching function	NC

PNP NO/NC switchable	●
NFC Receiver Category 3	●
Connection Diagram No.	146
Control Panel No.	OP3
Suitable Connection Equipment No.	2   2s
Suitable Mounting Technology No.	421

### Complementary Products

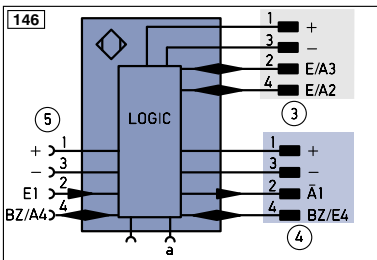
Adapter OPT70N, OPT70S, OPT70P	
Software	
USB NFC Adapter	
ZPTX001 Quick Mount	



### Ctrl. Panel



2a = NFC interface  
 3a = Switching Status Indicator/Error Indicator

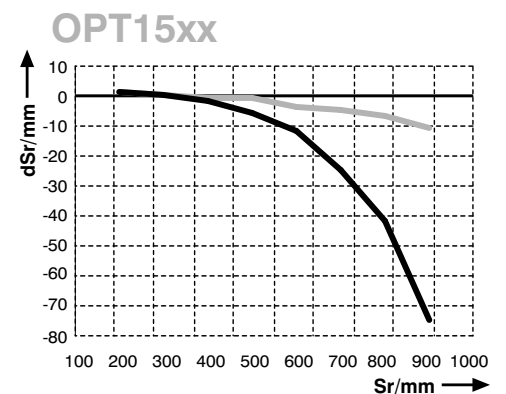


### Legend

+	Supply Voltage +	PT	Platinum measuring resistor	EN18542Z	Encoder A/Ä (TTL)
-	Supply Voltage 0 V	nc	not connected	EN18542Z	Encoder B/B̄ (TTL)
~	Supply Voltage (AC Voltage)	U	Test Input	ENa	Encoder A
A	Switching Output (NO)	Ū	Test Input inverted	ENb	Encoder B
Ā	Switching Output (NC)	W	Trigger Input	AMIN	Digital output MIN
V	Contamination/Error Output (NO)	W-	Ground for the Trigger Input	AMAX	Digital output MAX
V̄	Contamination/Error Output (NC)	O	Analog Output	AOk	Digital output OK
E	Input (analog or digital)	O-	Ground for the Analog Output	SY in	Synchronization In
T	Teach Input	BZ	Block Discharge	SY OUT	Synchronization OUT
Z	Time Delay (activation)	AWV	Valve Output	OLt	Brightness output
S	Shielding	a	Valve Control Output +	M	Maintenance
RxD	Interface Receive Path	b	Valve Control Output 0 V	rsv	reserved
TxD	Interface Send Path	SY	Synchronization	Wire Colors according to DIN IEC 757	
RDY	Ready	SY-	Ground for the Synchronization	BK	Black
GND	Ground	E+	Receiver-Line	BN	Brown
CL	Clock	S+	Emitter-Line	RD	Red
E/A	Output/Input programmable	±	Grounding	OG	Orange
	IO-Link	SrR	Switching Distance Reduction	YE	Yellow
PoE	Power over Ethernet	Rx+/-	Ethernet Receive Path	GN	Green
IN	Safety Input	Tx+/-	Ethernet Send Path	BU	Blue
OSSD	Safety Output	Bus	Interfaces-Bus A(+)/B(-)	VT	Violet
Signal	Signal Output	La	Emitted Light disengageable	GY	Grey
Bl..D+/-	Ethernet Gigabit bidirect. data line (A-D)	Mag	Magnet activation	WH	White
EN018542Z	Encoder 0-pulse 0-0̄ (TTL)	RES	Input confirmation	PK	Pink
		EDM	Contactur Monitoring	GNVE	Green/Yellow

### Switching Distance Deviation

Typical characteristic curve based on white, 90 % remission



Sr = Switching Distance

dSr = Switching Distance Change

— black 6 % remission

— grey 18 % remission

