

# Safety Light Curtain Set

## Hand Protection

# SEMG419

Part Number



- Easy configuration via wiring
- Protection field over the entire length of the housing for an installation without protrusion
- Quick alignment through visible red light
- Slim design for easy integration

These safety light curtains confidently solve all basic tasks. The basic function protection mode, restart inhibit and protection monitoring are standard and can be easily configured. The protective field always extends up to the end of the housing without protrusion. As a result, protection is easily provided even in confined installation conditions. The adequate mounting angle ZEMX001 is included in the delivery.



## Technical Data

Optical Data	
Range	0,25...14 m
Housing Length (L)	1362 mm
Safety Field Height (SFH)	1387 mm
Resolution	30 mm
Light Source	Red Light
Wavelength	630 nm
Max. Ambient Light	10000 Lux
Opening Angle	± 2,5 °

Electrical Data	
Sensor Type	Set
Supply Voltage	19,2...28,8 V DC
Response Time	12,4 ms
Temperature Range	-25...55 °C
Storage temperature	-25...60 °C
No. Safety Outputs (OSSDs)	2
Safety Output Voltage Drop	< 2,3 V
PNP Safety Output/Switching Current	300 mA
Number of Signal Outputs	1
Signal Output Voltage Drop	< 2,5 V
Signal Output/Switching Current	100 mA
Short Circuit and Overload Protection	yes
Reverse Polarity Protection	yes
Protection Class	III

Mechanical Data	
Housing Material	Aluminum
Disc Material	Polycarbonate
Degree of Protection	IP65/IP67
Connection	M12 × 1
Cable Length	300 mm

Safety-relevant Data	
ESPE Type (EN 61496)	4
Safety Category (EN ISO 13849-1)	4
Performance Level (EN ISO 13849-1)	PL e
PFHD	1,60 × E-8 1/h
Mission Time TM (EN ISO 13849-1)	20 a
Safety Integrity Level (EN 61508)	SIL3
Safety Integrity Level (EN 62061)	SILCL3

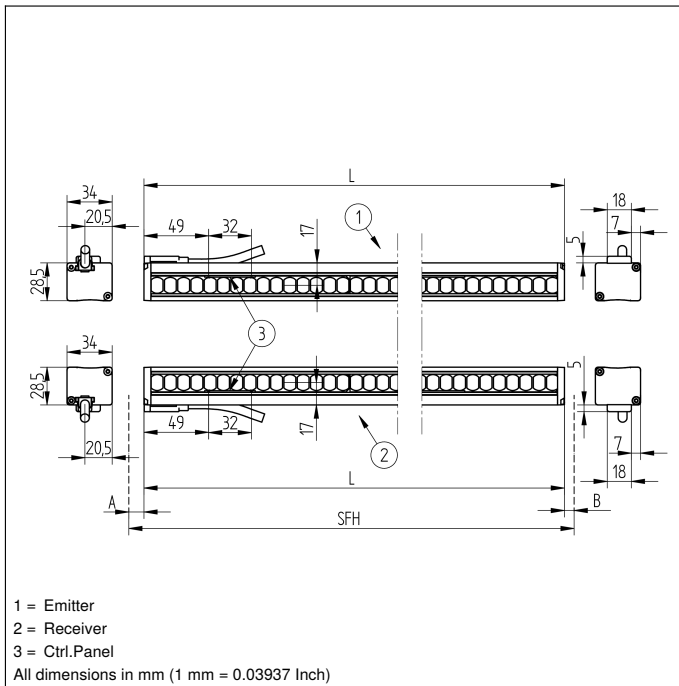
Function	
Hand Protection	yes
Restart Inhibit	yes
Safety Operating Mode	yes
Contactors Monitoring	yes

Scope of delivery	Mounting ZEMX001
Scope of delivery (Emitter; Receiver)	SEMG519; SEMG619

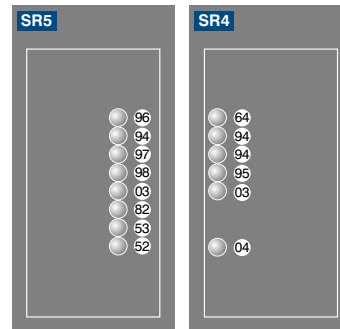
Connection Diagram No.	<b>361</b>	<b>362</b>	
Control Panel No.	<b>SR4</b>	<b>SR5</b>	
Suitable Connection Equipment No.	<b>35</b>	<b>89</b>	
Suitable Mounting Technology No.	<b>790</b>	<b>810</b>	<b>820</b>

## Complementary Products

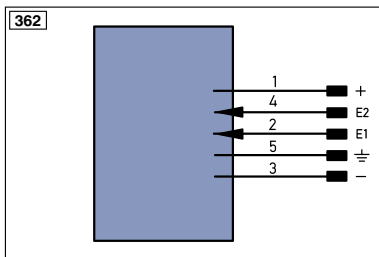
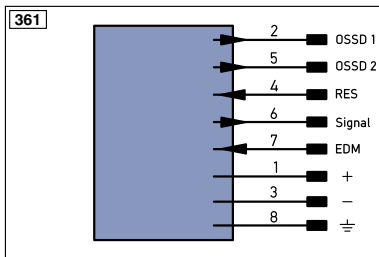
Path-Folding Mirror Z2UG004
Protection Column with Path-Folding Mirror SZ000EU170NN01
Protection Column with Protective Screen SZ000EG170NN01
Safety Relay SG4-00VA000R2, SR4B3B01S, SR4D3B01S
Software



### Ctrl. Panel



- 03 = Error Indicator
- 04 = Function Indicator
- 52 = OSSD ON
- 53 = OSSD OFF
- 64 = Diagnosis/Test
- 82 = Acknowledgement Request
- 94 = Diagnosis
- 95 = Diagnosis/Large Detection Range
- 96 = Diagnosis/Signal weak
- 97 = Diagnosis/Contactor Monitoring
- 98 = Diagnosis/Synchronization



Legend					
+	Supply Voltage +	PT	Platinum measuring resistor	EN <sup>A</sup> RS422	Encoder A/Ā (TTL)
-	Supply Voltage 0 V	nc	not connected	EN <sup>B</sup> RS422	Encoder B/B̄ (TTL)
~	Supply Voltage (AC Voltage)	U	Test Input	EN <sup>A</sup>	Encoder A
A	Switching Output (NO)	Ū	Test Input inverted	EN <sup>B</sup>	Encoder B
Ā	Switching Output (NC)	W	Trigger Input	A <sub>MIN</sub>	Digital output MIN
V	Contamination/Error Output (NO)	W-	Ground for the Trigger Input	A <sub>MAX</sub>	Digital output MAX
Ṽ	Contamination/Error Output (NC)	O	Analog Output	A <sub>OK</sub>	Digital output OK
E	Input (analog or digital)	O-	Ground for the Analog Output	SY <sub>in</sub>	Synchronization In
T	Teach Input	BZ	Block Discharge	SY <sub>OUT</sub>	Synchronization OUT
Z	Time Delay (activation)	AWV	Valve Output	OLT	Brightness output
S	Shielding	a	Valve Control Output +	M	Maintenance
RxD	Interface Receive Path	b	Valve Control Output 0 V	rsv	reserved
TxD	Interface Send Path	SY	Synchronization	Wire Colors according to DIN IEC 757	
RDY	Ready	SY-	Ground for the Synchronization	BK	Black
GND	Ground	E+	Receiver-Line	BN	Brown
CL	Clock	S+	Emitter-Line	RD	Red
E/A	Output/Input programmable	±	Grounding	OG	Orange
	IO-Link	±R	Switching Distance Reduction	YE	Yellow
PoE	Power over Ethernet	Rx+/-	Ethernet Receive Path	GN	Green
IN	Safety Input	Tx+/-	Ethernet Send Path	BU	Blue
OSSD	Safety Output	Bus	Interfaces-Bus A(+)/B(-)	VT	Violet
Signal	Signal Output	L <sub>a</sub>	Emitted Light disengageable	GY	Grey
Bl..D+/-	Ethernet Gigabit bidirect. data line (A-D)	Mag	Magnet activation	WH	White
EN <sup>0</sup> RS422	Encoder 0-pulse 0-0̄ (TTL)	RES	Input confirmation	PK	Pink
		EDM	Contactor Monitoring	GNYE	Green/Yellow

