

PNP-NPN Converter

M8 × 1; 3-pin

BG8V1P-N-2M

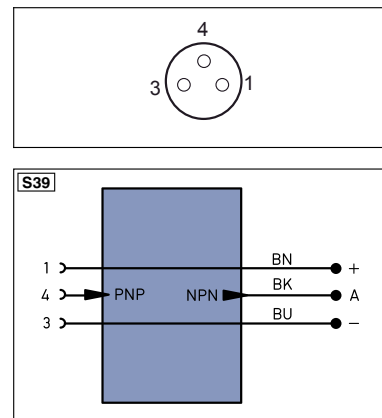
Part Number



Technical Data

Electrical Data	
Supply Voltage	10...30 V DC
Current Consumption (U _b = 24 V)	< 2 mA
Switching Output/Switching Current	200 mA
Switching Frequency	5 kHz
Response Time	100 μs
Residual Current Switching Output	< 50 μA
Short Circuit Protection	yes
Reverse Polarity Protection	yes
Overload Protection	yes
Mechanical Data	
Connection 1	Socket, straight
Connection mode 1	M8 × 1, 3-pin
Connection 2	stripped
Torque	M8: 0,4 Nm
Cable Length	2 m
Cable Diameter	4,5 mm
Wire cross-section	0,25 / 0,34 mm ²
Degree of Protection	IP67
Temperature Range	-10...60 °C
Cable Jacket Material	PVC
Material Wire Insulation	PVC
Material Sleeve Nut	CuZn, nickel-plated
Packaging unit	1 Piece
Connection Diagram No.	S39
Connection Equipment No.	8

● High protection class IP67



Legend			
+	Supply Voltage +	PT	Platinum measuring resistor
-	Supply Voltage 0 V	nc	not connected
~	Supply Voltage (AC Voltage)	U	Test Input
A	Switching Output (NO)	Ū	Test Input inverted
Ā	Switching Output (NC)	W	Trigger Input
V	Contamination/Error Output (NO)	W-	Ground for the Trigger Input
Ṽ	Contamination/Error Output (NC)	O	Analog Output
E	Input (analog or digital)	O-	Ground for the Analog Output
T	Teach Input	BZ	Block Discharge
Z	Time Delay (activation)	AWV	Valve Output
S	Shielding	a	Valve Control Output +
RxD	Interface Receive Path	b	Valve Control Output 0 V
TxD	Interface Send Path	SY	Synchronization
RDY	Ready	SY-	Ground for the Synchronization
GND	Ground	E+	Receiver-Line
CL	Clock	S+	Emitter-Line
E/A	Output/Input programmable	≡	Grounding
⊕	IO-Link	SnR	Switching Distance Reduction
PoE	Power over Ethernet	Rx+/-	Ethernet Receive Path
IN	Safety Input	Tx+/-	Ethernet Send Path
QSSD	Safety Output	Bus	Interfaces-Bus A(+)/B(-)
Signal	Signal Output	La	Emitted Light disengageable
BL-D+/-	Ethernet Gigabit bidirect. data line (A-D)	Mag	Magnet activation
EN ⁰ resaz	Encoder 0-pulse 0-0 (TTL)	RES	Input confirmation
		EDM	Contactor Monitoring
		EN ^A resaz	Encoder A/A (TTL)
		EN ^B resaz	Encoder B/B (TTL)
		EN ^A	Encoder A
		EN ^B	Encoder B
		AMIN	Digital output MIN
		AMAX	Digital output MAX
		AOK	Digital output OK
		SY in	Synchronization In
		SY OUT	Synchronization OUT
		OLr	Brightness output
		M	Maintenance
		rsv	reserved
			Wire Colors according to DIN IEC 757
		BK	Black
		BN	Brown
		RD	Red
		OG	Orange
		YE	Yellow
		GN	Green
		BU	Blue
		VT	Violet
		GY	Grey
		WH	White
		PK	Pink
		GNYE	Green/Yellow

Specifications are subject to change without notice