

# Glass Fiber-Optic Cable

## Through-Beam Mode

# 113-207-202

Part Number

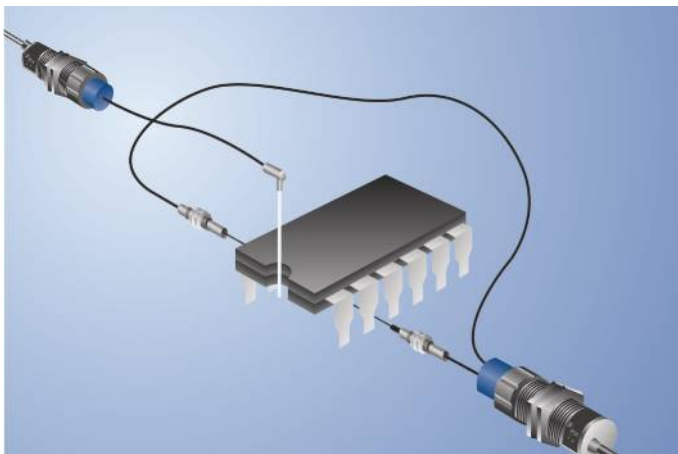


- A broad range of applications are possible due to the modular system design
- Stock types deliverable at short notice

### Technical Data

Optical Data	
Fiber Bundle Diameter	1,1 mm
Range with Sensor Type U_87__	600 mm
Range with Sensor Type U_88__	400 mm
Range with Sensor Type U_66__	200 mm
Range with Sensor Type U_55__	100 mm
Opening Angle	68 °
Fiber	Step Index
Fiber Diameter	50 µm
Mechanical Data	
Temperature Range	-25...180 °C
Bending Radius	45 mm
Fiber-Optic Length	0,5 m
Jacket Material	CuZn, nickel-plated
Material End Sleeve	Stainless Steel
End Sleeve No.	7
Light Emission	straight
Fiber-Optic Cable Adapter No.	02
Suitable Mounting Technology No.	220

Glass fiber optic cables are very flexible and can be used in applications with less space. Especially in applications with hot environment the metal casing fiber optic cables are the answer.



# Fiber Optic Cable Combination

## Choose your individual Glass Fiber Optic Cable

**1** First you have to choose the required range.  
If you cannot find a suitable range please change to another Fiber bundle diameter. The range depends on the length of the Fiber optic cable and the switching range of the chosen wenglor sensor.

**2** Choose the jacket and the endpoint.

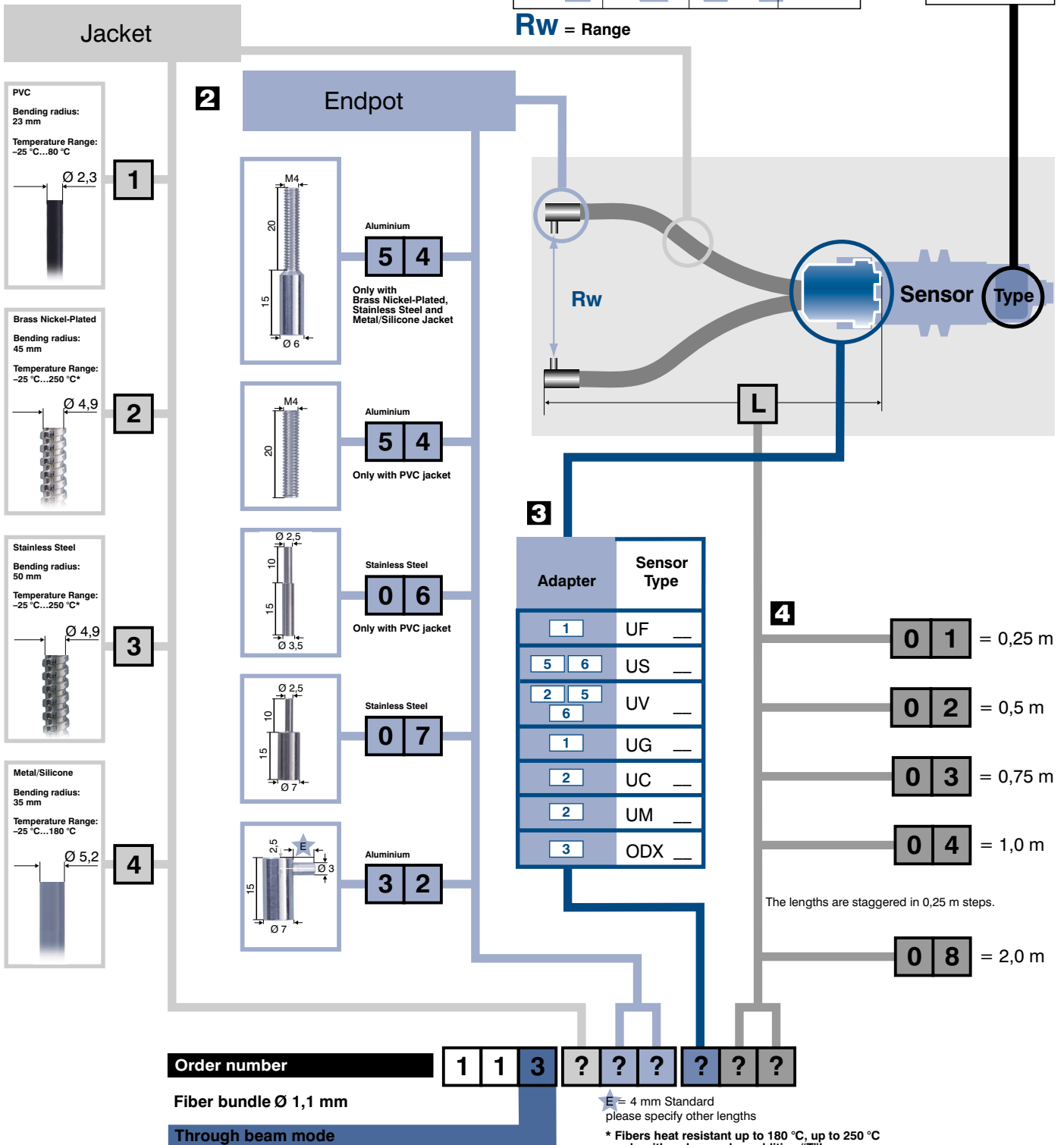
**3** Choose the right adapter for your wenglor sensor.

**4** Choose the length of the Fiber arm (in 0,25 m steps).

Fiber optic length			
2,0 m	1,5 m	1,0 m	0,5 m
480 mm	510 mm	540 mm	600 mm
320 mm	340 mm	360 mm	400 mm
160 mm	170 mm	180 mm	200 mm
80 mm	85 mm	90 mm	100 mm
360 mm	370 mm	380 mm	400 mm

1	Sensor Type
←	U_ 87 _
←	U_ 88 _
←	U_ 66 _
←	U_ 55 _
←	ODX

**Rw = Range**



**Jacket**

**1** PVC  
Bending radius: 23 mm  
Temperature Range: -25 °C...80 °C  
Ø 2,3

**2** Brass Nickel-Plated  
Bending radius: 45 mm  
Temperature Range: -25 °C...250 °C\*  
Ø 4,9

**3** Stainless Steel  
Bending radius: 50 mm  
Temperature Range: -25 °C...250 °C\*  
Ø 4,9

**4** Metal/Silicone  
Bending radius: 35 mm  
Temperature Range: -25 °C...180 °C  
Ø 5,2

**Endpoint**

**5 4** Aluminium  
Only with Brass Nickel-Plated, Stainless Steel and Metal/Silicone Jacket

**5 4** Aluminium  
Only with PVC jacket

**0 6** Stainless Steel  
Only with PVC jacket

**0 7** Stainless Steel

**3 2** Aluminium

**3** Adapter

Adapter	Sensor Type
1	UF _
5 6	US _
2 5 6	UV _
1	UG _
2	UC _
2	UM _
3	ODX _

**4** Length

0 1	= 0,25 m
0 2	= 0,5 m
0 3	= 0,75 m
0 4	= 1,0 m
0 8	= 2,0 m

The lengths are staggered in 0,25 m steps.

**Order number** 1 1 3 ? ? ? ? ? ?

Fiber bundle Ø 1,1 mm

Through beam mode

⊕ = 4 mm Standard  
please specify other lengths

\* Fibers heat resistant up to 180 °C, up to 250 °C only with order number addition "T"!