

Glass Fiber-Optic Cable

Through-Beam Mode

163-238-204

Part Number

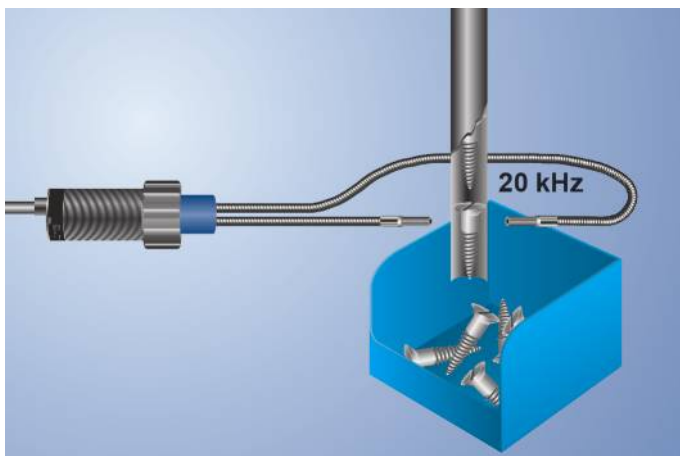


- A broad range of applications are possible due to the modular system design
- Stock types deliverable at short notice

Technical Data

Optical Data	
Fiber Bundle Diameter	1,6 mm
Range with Sensor Type U_87__	1260 mm
Range with Sensor Type U_88__	840 mm
Range with Sensor Type U_66__	420 mm
Range with Sensor Type U_55__	210 mm
Opening Angle	68 °
Fiber	Step Index
Fiber Diameter	50 μm
Mechanical Data	
Temperature Range	-25...180 °C
Bending Radius	45 mm
Fiber-Optic Length	1 m
Jacket Material	CuZn, nickel-plated
Material End Sleeve	Aluminum
End Sleeve No.	38
Light Emission	sidewise
Fiber-Optic Cable Adapter No.	02
Suitable Mounting Technology No.	210

Glass fiber optic cables are very flexible and can be used in applications with less space. Especially in applications with hot environment the metal casing fiber optic cables are the answer.



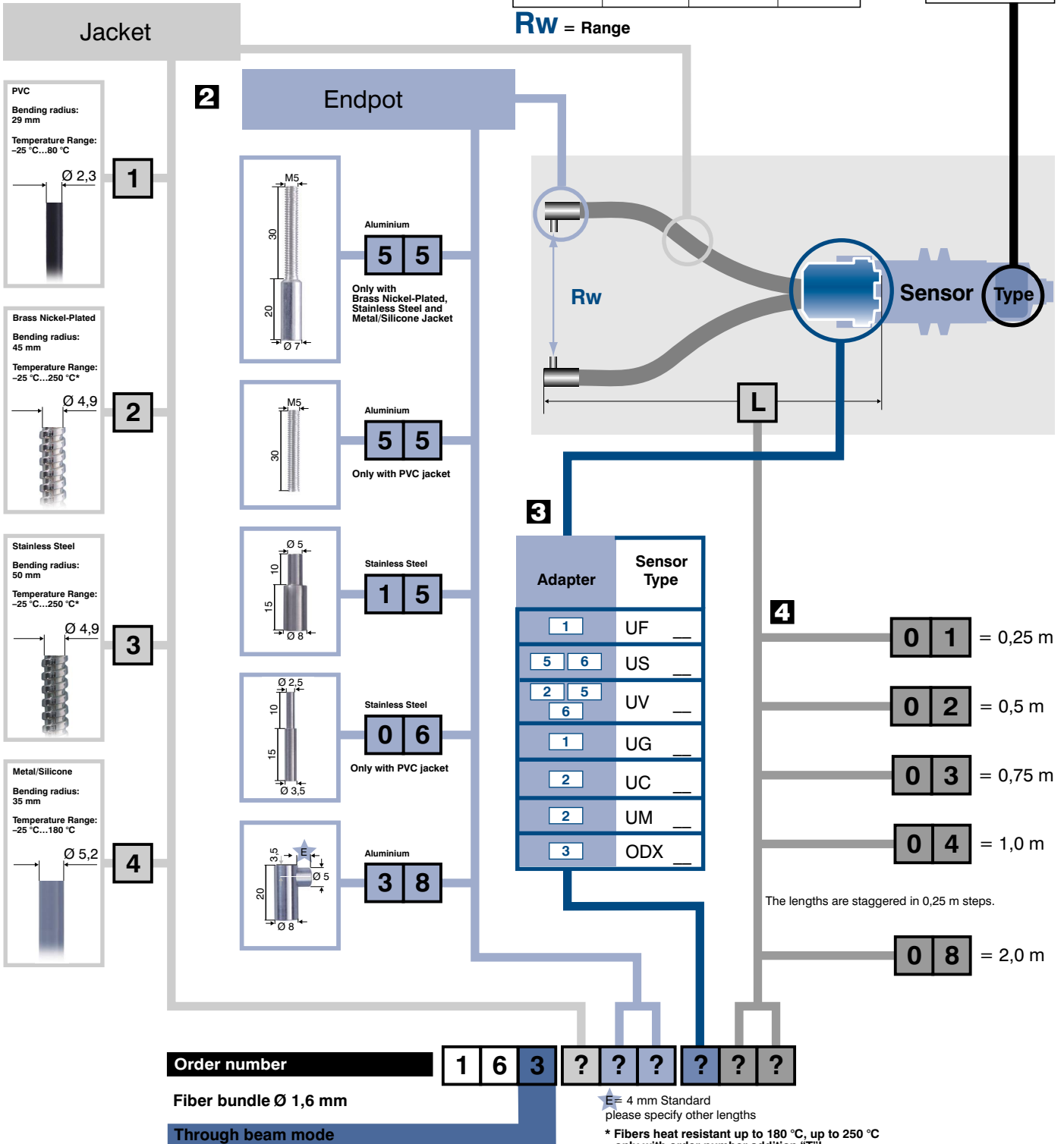
Fiber Optic Cable Combination

Choose your individual Glass Fiber Optic Cable

- 1** First you have to choose the required range.
If you cannot find a suitable range please change to another Fiber bundle diameter. The range depends on the length of the Fiber optic cable and the switching range of the chosen wenglor sensor.
- 2** Choose the jacket and the endpot.
- 3** Choose the right adapter for your wenglor sensor.
- 4** Choose the length of the Fiber arm (in 0,25 m steps).

Fiber optic length			
2,0 m	1,5 m	1,0 m	0,5 m
1020 mm	1140 mm	1260 mm	800 mm
680 mm	760 mm	840 mm	800 mm
340 mm	380 mm	420 mm	460 mm
170 mm	190 mm	210 mm	230 mm
450 mm	460 mm	480 mm	500 mm

1	Sensor Type
U_87	—
U_88	—
U_66	—
U_55	—
ODX	—



± 4 mm Standard
please specify other lengths

* Fibers heat resistant up to 180 °C, up to 250 °C
only with order number addition "T"!