

Glass Fiber-Optic Cable

Through-Beam Mode

083-101-102

Part Number

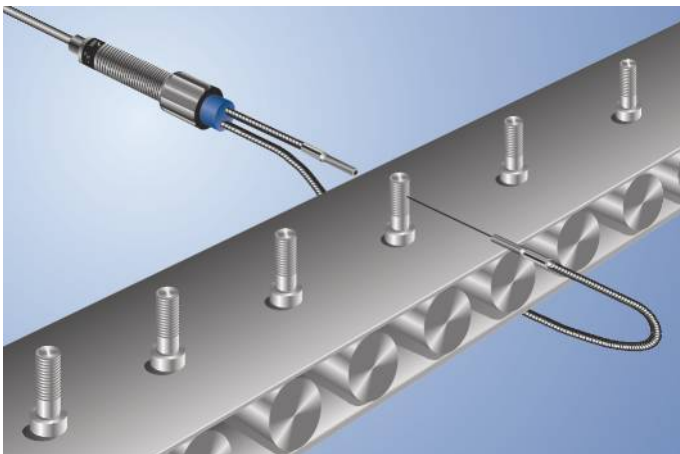


- A broad range of applications are possible due to the modular system design
- Stock types deliverable at short notice

Technical Data

Optical Data	
Fiber Bundle Diameter	0,8 mm
Range with Sensor Type U_87__	270 mm
Range with Sensor Type U_88__	180 mm
Range with Sensor Type U_66__	90 mm
Range with Sensor Type U_55__	45 mm
Opening Angle	68 °
Fiber	Step Index
Fiber Diameter	50 µm
Mechanical Data	
Temperature Range	-25...80 °C
Bending Radius	21 mm
Fiber-Optic Length	0,5 m
Jacket Material	PVC
Material End Sleeve	Stainless Steel
End Sleeve No.	1
Light Emission	straight
Fiber-Optic Cable Adapter No.	01
Suitable Mounting Technology No.	310

Glass fiber optic cables are very flexible and can be used in applications with less space. Especially in applications with hot environment the metal casing fiber optic cables are the answer.



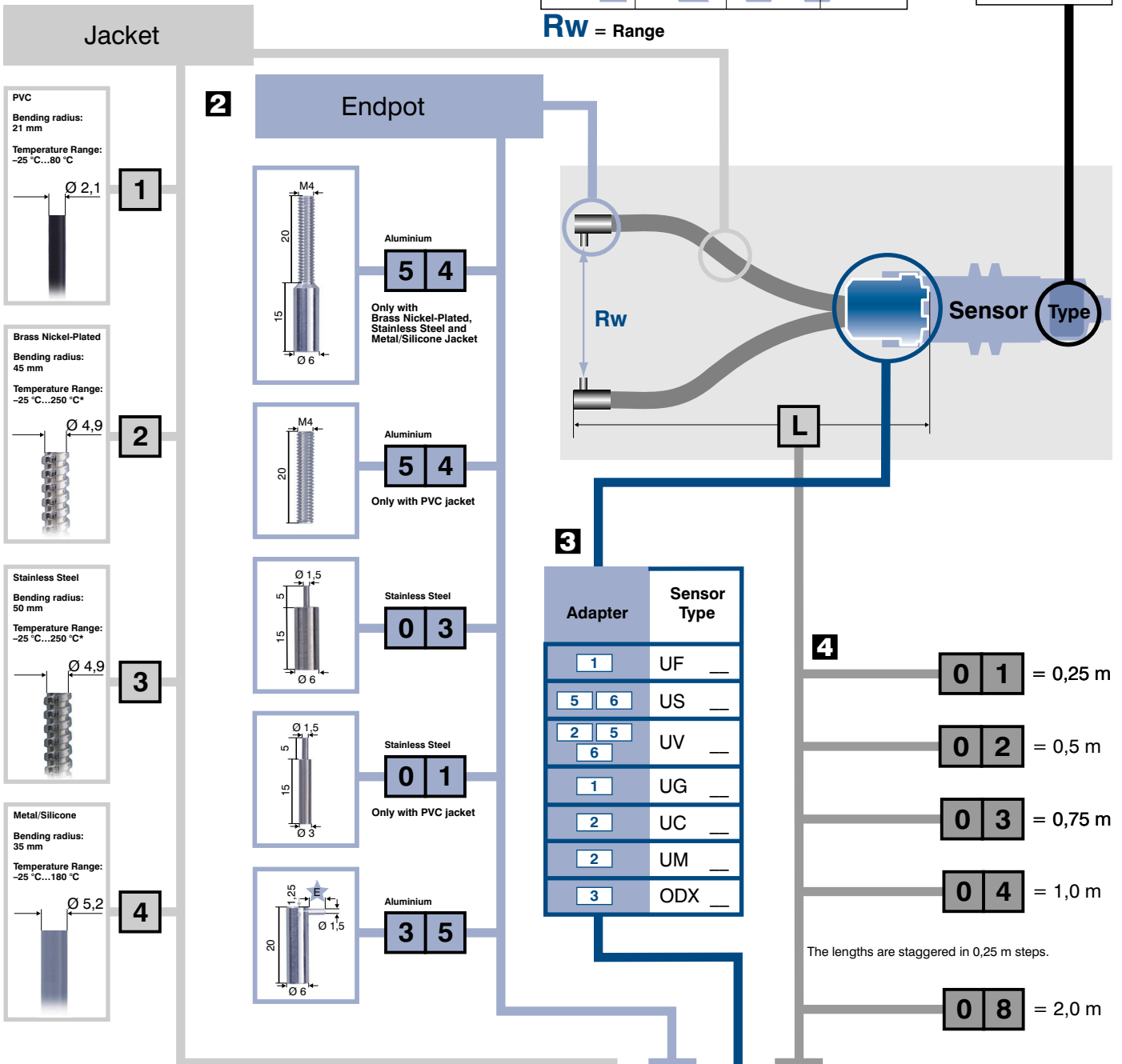
Fiber Optic Cable Combination

Choose your individual Glass Fiber Optic Cable

- 1** First you have to choose the required range.
If you cannot find a suitable range please change to another Fiber bundle diameter. The range depends on the length of the Fiber optic cable and the switching range of the chosen wenglor sensor.
- 2** Choose the jacket and the endpoint.
- 3** Choose the right adapter for your wenglor sensor.
- 4** Choose the length of the Fiber arm (in 0,25 m steps).

Fiber optic length			
2,0 m	1,5 m	1,0 m	0,5 m
180 mm	210 mm	240 mm	270 mm
120 mm	140 mm	160 mm	180 mm
60 mm	70 mm	80 mm	90 mm
30 mm	35 mm	40 mm	45 mm
120 mm	123 mm	126 mm	130 mm

1	Sensor Type
←	U_87
←	U_88
←	U_66
←	U_55
←	ODX



Order number 0 8 3 ? ? ? ? ? ? ?

Fiber bundle Ø 0,8 mm

Through beam mode

★ E = 4 mm Standard
please specify other lengths

* Fibers heat resistant up to 180 °C, up to 250 °C
only with order number addition "T"!