

## CBAS100-R8PCO-A12

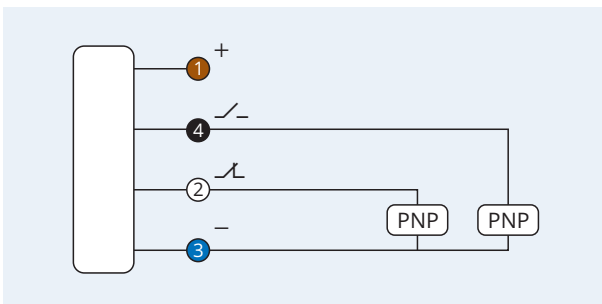
Mind O≠0, I≠I≠1, S≠5, B≠8.

|                         |                             |
|-------------------------|-----------------------------|
| Operating range         | 0.4...8 m · 1½...26¼ ft     |
| Operating voltage       | 10...35 V <sub>DC</sub>     |
| Current consumption     | 30 mA                       |
| Current load capability | 200 mA                      |
| Operating temperature   | -20...+55 °C · -3...+132 °F |
| Cycle time              | 7.5 ms                      |
| Ambient light immunity  | 100 klx                     |
| Polarity                | PNP                         |
| Output function         | ⌋ and ⌋                     |
| IP code                 | IP 65                       |
| Housing material        | aluminum, powder-coated     |
| Pane material           | PMMA                        |
| Operation indicator     | LED green                   |
| Connection              | male connector M12          |
| Weight                  | 130 g · 4.6 oz              |
| Tariff code             | 85365019                    |
| Complies with           | CE, RoHS                    |

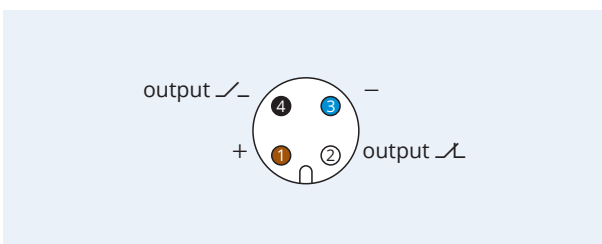


**25 months Warranty** Our products are manufactured to stringent ISO 9001 European standards to ensure that our customers only receive the best quality.

Wiring diagram

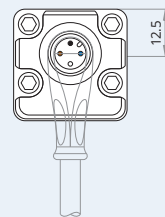
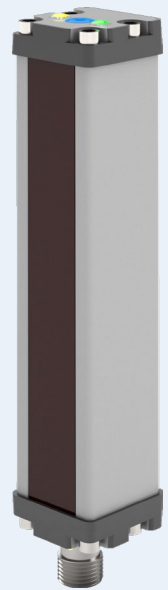
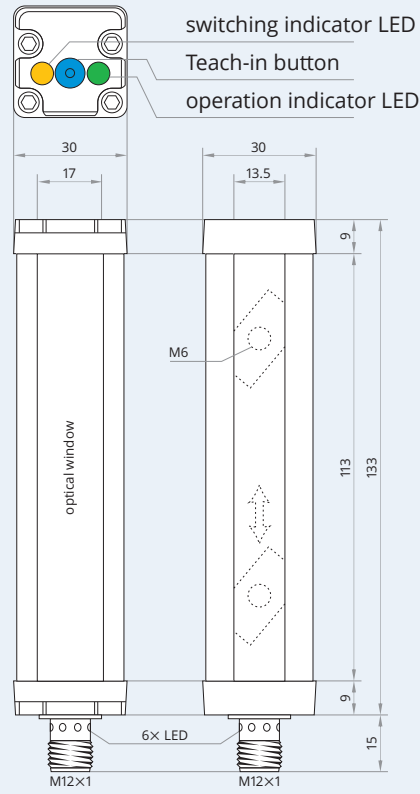


Pinout



## Crossed-Beam Area Sensor Receiver

Active zone: 100 mm · Range: 8 m



**Caution!** This device shall not be used if the safety of persons rely on its faultless function.

XECRO reserves the right to make minor changes without prior notification.