

CBAS100-R2NCO-3A12

Mind O≠0, I≠I≠1, S≠5, B≠8.

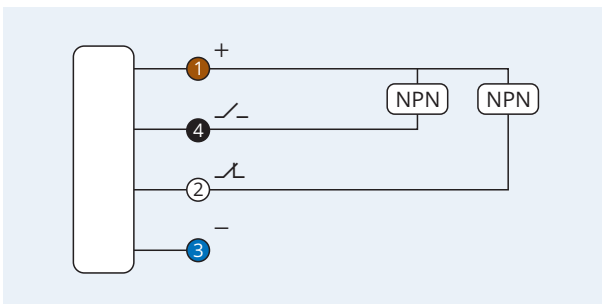
Operating range	0.4...2 m · 1½...6½ ft
Operating voltage	10...35 V _{DC}
Current consumption	30 mA
Current load capability	200 mA
Operating temperature	-20...+55 °C · -3...+132 °F
Cycle time	7.5 ms
Ambient light immunity	100 klx
Polarity	NPN
Output function	⌋ and ⌋
IP code	IP 65
Housing material	aluminum, powder-coated
Pane material	PMMA
Operation indicator	LED green
Connection	PUR cable, 30 cm, M12
Weight	157 g · 5.5 oz
Tariff code	85365019
Complies with	CE, RoHS



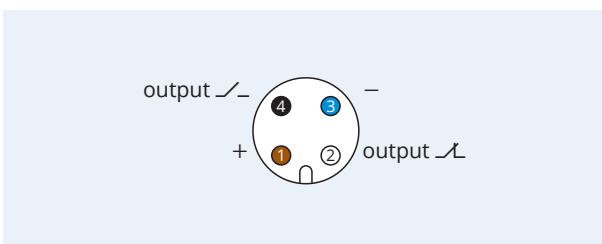
Warranty Our products are manufactured to stringent ISO 9001 European standards to ensure that our customers only receive the best quality.



Wiring diagram



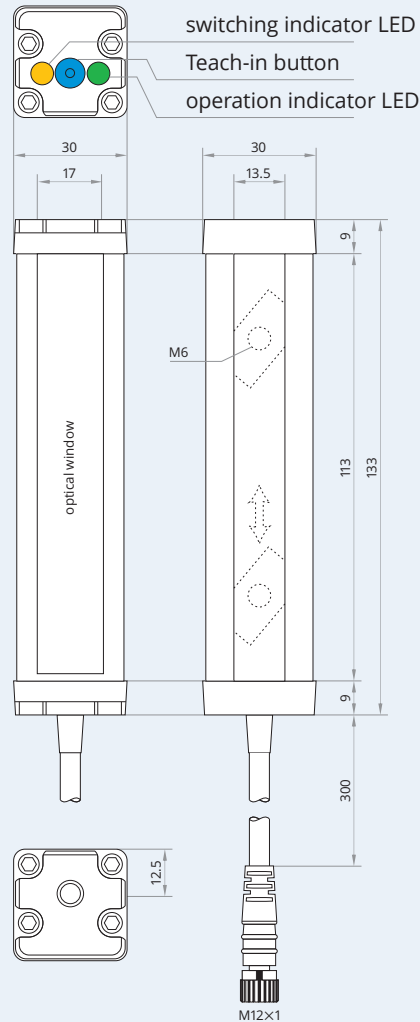
Pinout



Caution! This device shall not be used if the safety of persons rely on its faultless function.

Crossed-Beam Area Sensor Receiver

Active zone: 100 mm · Range: 2 m



XECRO reserves the right to make minor changes without prior notification.