

CBAS100-R4PCO-3A12

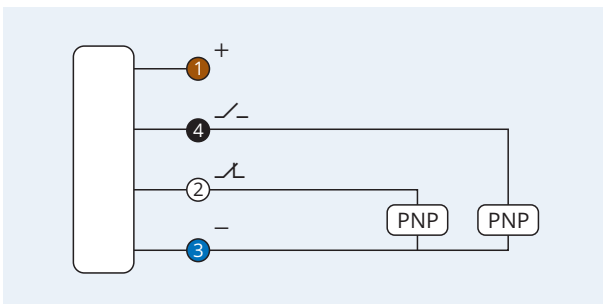
Mind O≠0, I≠I≠1, S≠5, B≠8.

Operating range	0.4...4 m · 1½...13½ ft
Operating voltage	10...35 V _{DC}
Current consumption	30 mA
Current load capability	200 mA
Operating temperature	-20...+55 °C · -3...+132 °F
Cycle time	7.5 ms
Ambient light immunity	100 klx
Polarity	PNP
Output function	↘ and ↙
IP code	IP 65
Housing material	aluminum, powder-coated
Pane material	PMMA
Operation indicator	LED green
Connection	PUR cable, 30 cm, M12
Weight	157 g · 5.5 oz
Tariff code	85365019
Complies with	CE, RoHS

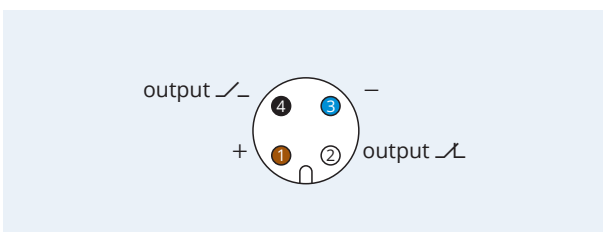


25 months **Warranty** Our products are manufactured to stringent ISO 9001 European standards to ensure that our customers only receive the best quality.

Wiring diagram



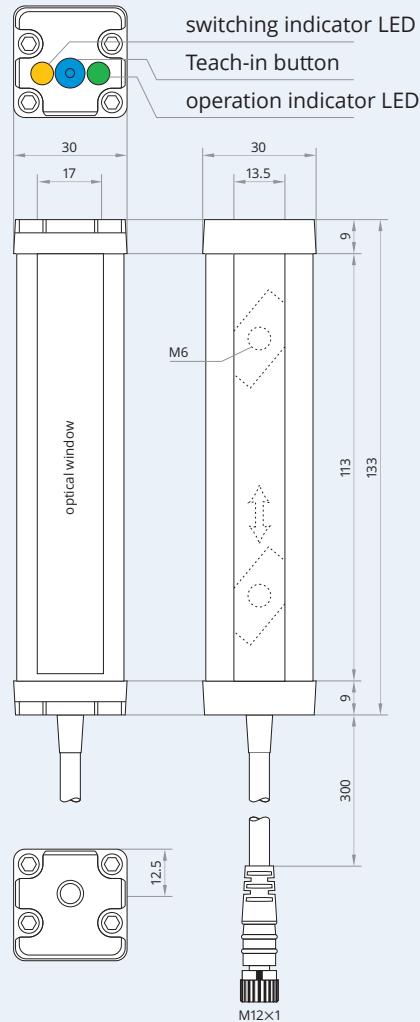
Pinout



⚠ Caution! This device shall not be used if the safety of persons rely on its faultless function.

Crossed-Beam Area Sensor Receiver

Active zone: 100 mm · Range: 4 m



XECRO reserves the right to make minor changes without prior notification.