

CBAS100-T8N-G2P

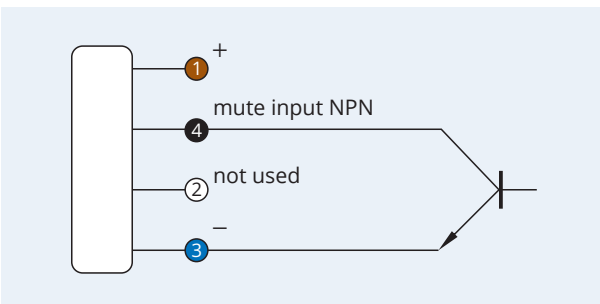
Mind O≠0, I≠I≠1, S≠5, B≠8.

Operating range	0.4...8 m · 1½...26¼ ft
Operating voltage	10...35 V _{DC}
Current consumption	37 mA
Operating temperature	-20...+55 °C · -3...+132 °F
Cycle time	7.5 ms
Mute input	NPN, >15 mA
IP code	IP 65
Housing material	aluminum, powder-coated
Pane material	PMMA
Quantity of beams	100
Operation indicator	LED green
Connection	PVC cable, 2 m
Weight	149 g · 5.3 oz
Tariff code	85365019
Complies with	CE, RoHS

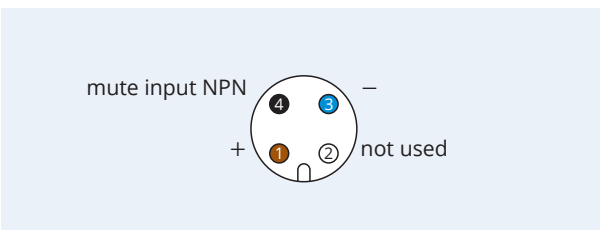


25 months Warranty Our products are manufactured to stringent ISO 9001 European standards to ensure that our customers only receive the best quality.

Wiring diagram



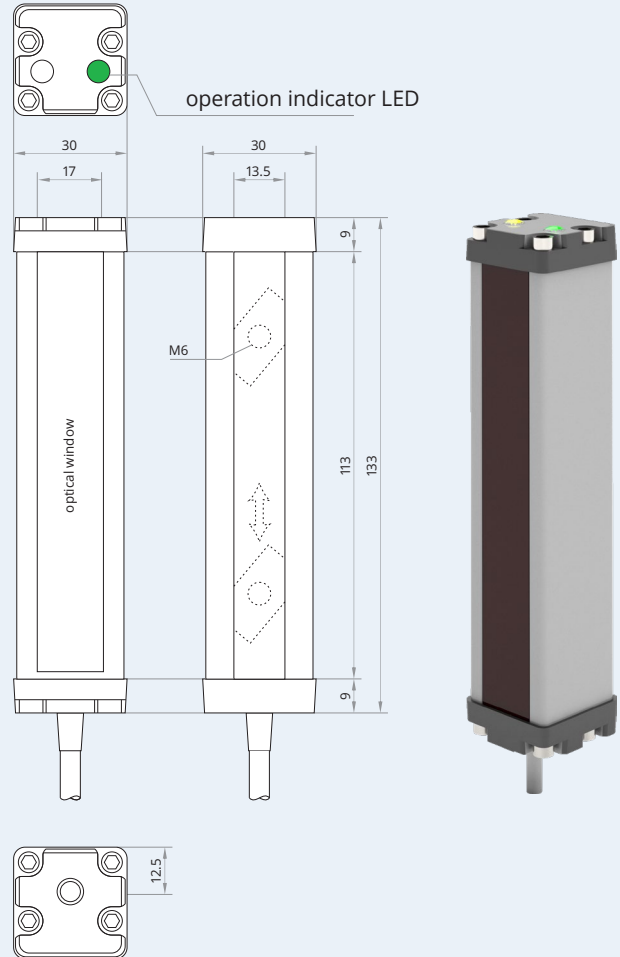
Pinout



Caution! This device shall not be used if the safety of persons rely on its faultless function.

Crossed-Beam Area Sensor Transmitter

Active zone: 100 mm · Range: 8 m



XECRO reserves the right to make minor changes without prior notification.